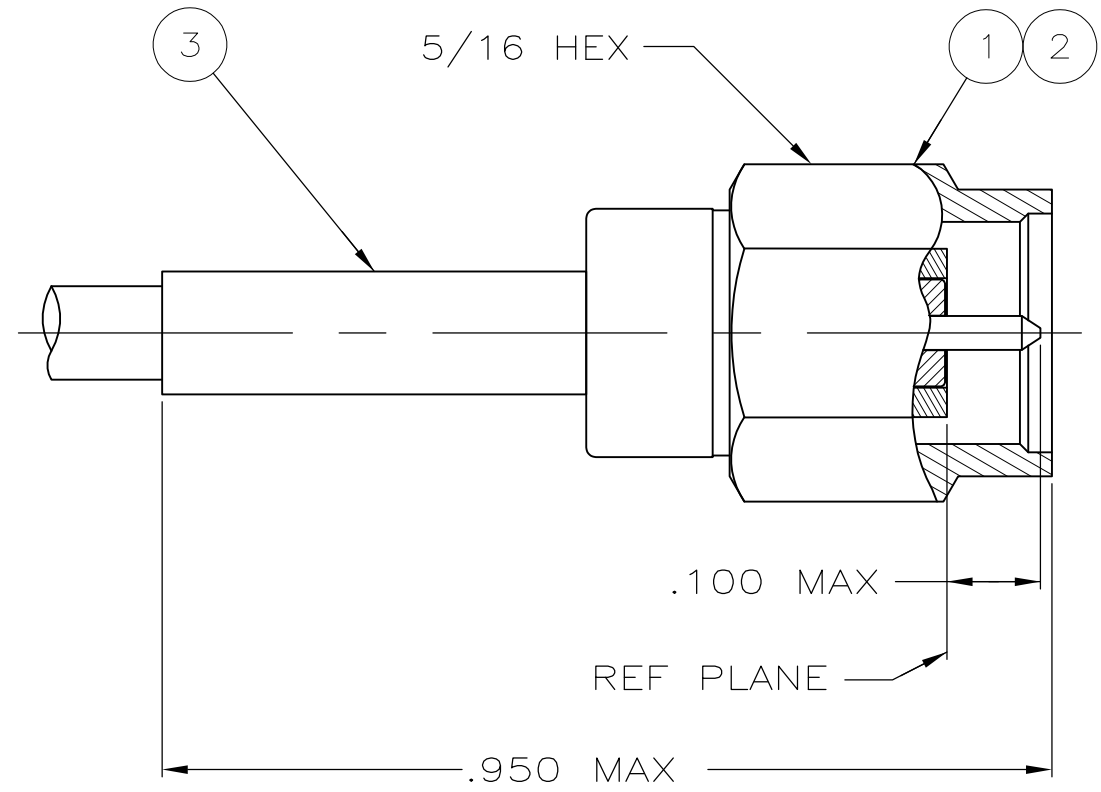
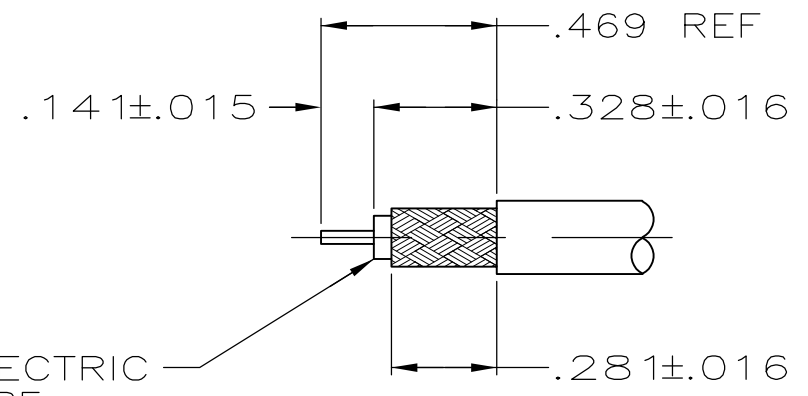


THIS DRAWING IS UNPUBLISHED. RELEASED FOR PUBLICATION
 © COPYRIGHT BY TYCO ELECTRONICS CORPORATION. ALL INTERNATIONAL RIGHTS RESERVED.

LOC	DIST	REVISIONS					
AJ	16	P	LTR	DESCRIPTION	DATE	DWN	APVD
		D		REV PER ECO 08-032217	13JAN2009	PK	DW



- 1. FOR USE WITH: DOUBLE BRAID RG-188/U CABLE .120 MAX I.D.
- 2. CRIMP WITH TOOL: P82-35097



CUT DIELECTRIC SQUARE

RECOMMENDED STRIP LENGTH SCALE: 2:1

1	50285-5	FERRULE	3
1	225540-4	CONTACT	2
1	225533-2	PLUG ASSEMBLY	1
QTY	PART NUMBER	DESCRIPTION	ITEM

THIS DRAWING IS A CONTROLLED DOCUMENT.		DWN	L.A.MOSCO	9-29-88	Tyco Electronics Corporation Harrisburg, PA 17105-3608		
DIMENSIONS: INCHES		CHK	S.J.MAGARO	9/30/88			
TOLERANCES UNLESS OTHERWISE SPECIFIED:		APVD	N.L.GUSTIN	11-21-88	NAME		
0 PLC ± - 1 PLC ± - 2 PLC ± - 3 PLC ± .008 4 PLC ± - ANGLES ± -		PRODUCT SPEC		PLUG, SERIES SMA			
MATERIAL		APPLICATION SPEC		RESTRICTED TO			
FINISH		WEIGHT .006955 LB		SIZE	CAGE CODE	DRAWING NO	
		CUSTOMER DRAWING		A3	00779	G-1-225532-1	
		SCALE 5:1		SHEET 1 OF 1		REV D	