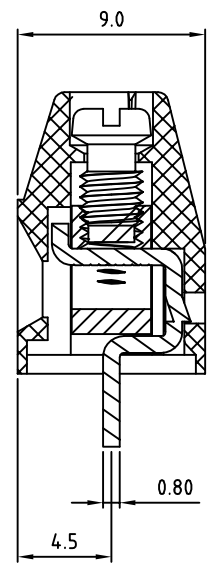
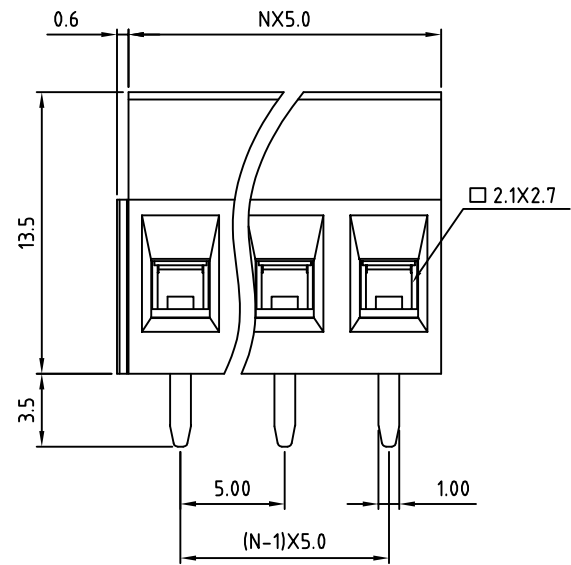
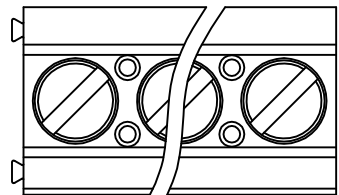


SIGN	DATE	DESCRIPTION	APPROVER
		Standard spec is changed	
<i>THIS IS CAD DRAWING, DO NOT REVISE MANUALLY!!!</i>			



- Material**
- Terminal body
  - (metal housing): Brass(CuZn)
  - Terminal screw: Steel Zinc plating "-" slot type
  - Contacts: Brass
  - Surface of solder tail: Tin plated
  - Insulator (housing): Thermoplastic (UL94V-0)

- Electrical** cULus/ FIMKO
- Voltage rating: 300VAC / 300VAC
  - Current rating: 16A / 17.5A
  - Wire range: 0.5-1.5mm<sup>2</sup>
  - Solid wire(AWG): 12-28
  - Stranded wire(AWG): 12-28
  - Torque: 3.5Lb-In / 0.4N.m
  - Screw: M3
  - Wire strip length: 6-7mm
  - Withstanding Voltage: 1.6KV / 2.5KV
  - Operating temperature: -30°C to +105°C
  - Soldering temperature: 250°C±10°C/5 Sec
  - Safety Approval:

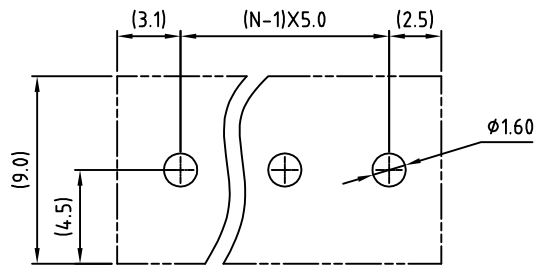
RoHS Compliant

PART NUMBER:

**OSTVIXX0152**

No. of Poles	COLOR
02 2 Poles	0: Black
03 3 Poles	5: Green (Standard)
...	6: Blue
24 24 Poles	8: Grey

N=Number of contacts  
P.C.B LAYOUT



THESE DRAWINGS AND SPECIFICATIONS ARE THE PROPERTY OF ON-SHORE TECHNOLOGY, INC. AND SHALL NOT BE REPRODUCED, COPIED OR USED IN ANY MANNER WITHOUT THE PRIOR WRITTEN CONSENT OF ON-SHORE TECHNOLOGY, INC.



TITLE		OSTVI 5.0 Series 180° wire inlet (without cover)			
PART NO.	OSTVIXX0152	DWG NO.	OSTVIXX0152.DWG		
APPROVED	CHECKED	DESIGNED	DRAWN	CUST NO.	Tolerance
Shi Jun 2006.10.20	Marvin 2006.10.20	Marvin 2006.10.20	Marvin 2006.10.20		X. ±0.50 X.X ±0.30 X.XX ±0.10 X° ±1°
				SHEET: 01/01	UNIT: mm SCALE: NONE REV.: E