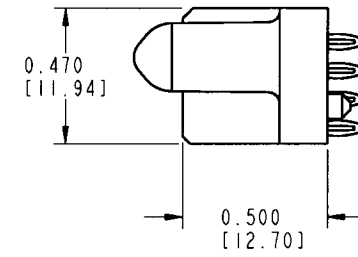
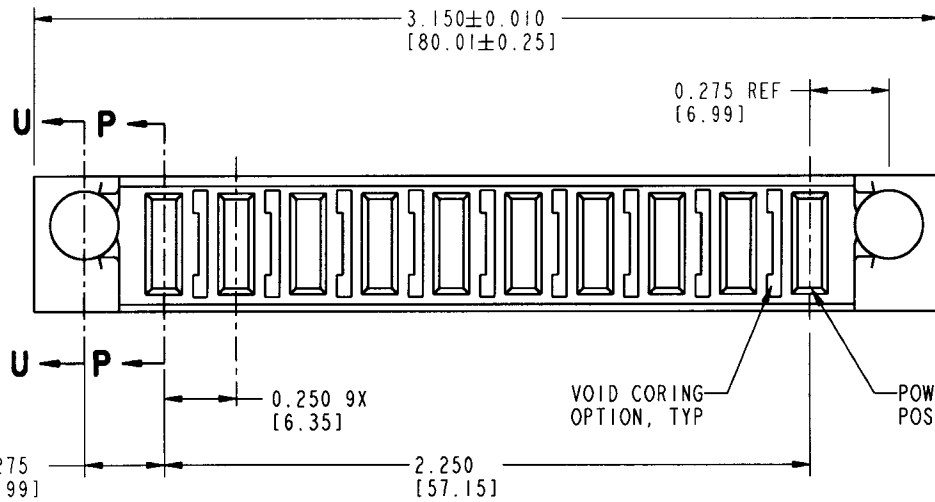
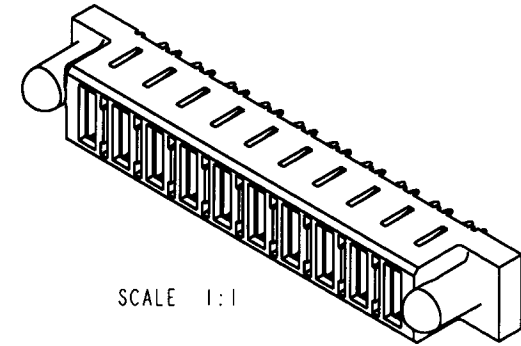
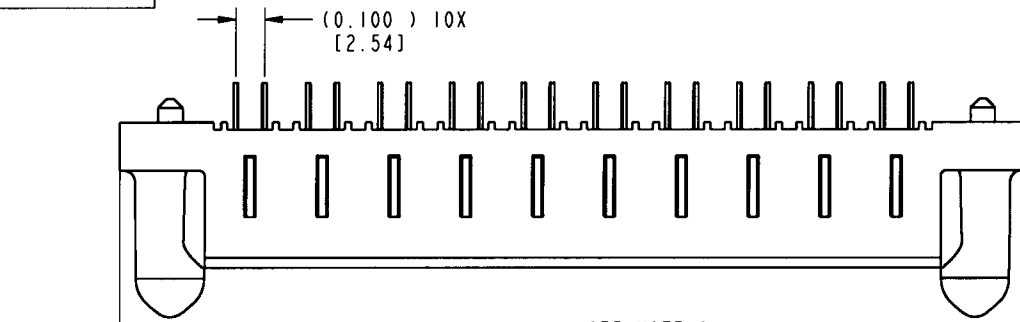


Tous droits strictement réservés. Reproduction ou communication a des tiers interalle sous quelque forme que ce soit sans autorisation écrite du propriétaire. Propriete de c FCI. Droits de reproduction FCI.

All rights strictly reserved. Reproduction or issue to third parties in any form whatever is not permitted without written authority from the proprietor. Property of FCI. Copyright FCI.

PRODUCT NUMBER
51439-001



mat'l code				NOTE 1		tolerances unless otherwise specified		CUSTOMER COPY		FCI ELECTRONICS www.fciconnect.com	
lir	ecn no.	dr	date	linear	.XX ± .01 / X ± .3	projection	 IN/MM scale 3:2		title	product family	code
A	V91744	SAR	02-21-00	linear	.XXX ± .005 / .XX ± .13	product family			PwrBlade	code	
B	V01586	EKK	07-13-00	angles	.XXX ± .0020 / .XXX ± .051	size			dwg no	SHEET	
C	V01897	CHB	08-11-00	angles	0° ± 2°	A			51439	1 OF 3	
				dr	C. BAROT 01-29-99						
				enrg	J. BROWN 01-29-99						
				chr	J. BROWN 01-29-99						
				appd	J. BROWN 02-21-00						
sheet	revision	C	C	C							
index	sheet	1	2	3							

THIS FILE WAS ORIGINALLY CREATED IN THE PRO ENGINEER ENVIRONMENT AND ANY FUTURE REVISIONS TO THIS FILE MUST BE MADE IN THE PRO ENGINEER ENVIRONMENT

form no. 7530-001-103

code code 22526

PDM: Rev:C

STATUS: Released

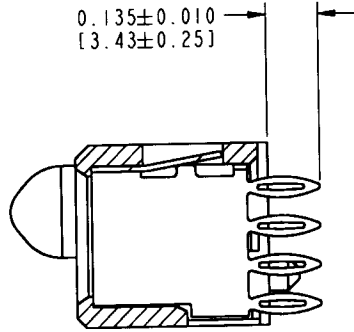
Printed: Dec 20, 2010

Tous droits strictement réservés. Reproduction ou communication à des tiers interdite sous quelque forme que ce soit sans autorisation écrite du propriétaire. Propriété de c FCI. Droits de reproduction FCI.

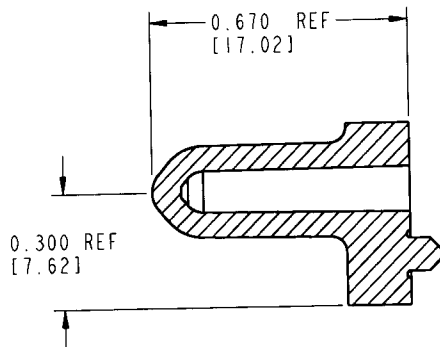


All rights strictly reserved. Reproduction or issue to third parties in any form whatever is not permitted without written authority from the proprietor. Property of FCI. Copyright FCI.

PRODUCT NUMBER
51439-001



SECTION P-P



SECTION U-U

CONNECTOR NOTES:

- ① HOUSING MATERIAL: GLASS FILLED HIGH TEMP THERMOPLASTIC, FLAME RETARDANT PER UL94V-0
POWER CONTACT MATERIAL: COPPER ALLOY
2. PLATING OPTIONS:
POWER CONTACTS: 50u"/1.27u Ni UNDER ALL: WITH 30u"/.76u Au ON CONTACT AREA, AND SnPb ON PCB INTERFACE.
- ③ MANUFACTURER NAME, P/N, AND DATE CODE TO APPEAR ON THIS SURFACE.

PCB NOTES:

4. ALL DIMENSIONS ARE BASIC UNLESS OTHERWISE SPECIFIED
5. ALL THROUGH HOLES ARE LOCATED WITH A TRUE POSITION OF 0.004"
6. ALL DIAMETERS ARE FINISHED HOLE SIZES
7. $\varnothing 0.0453/1.151$ DRILLED HOLES, PLATED WITH 0.0003/0.007 MIN. SnPb OVER 0.001/1.03 TO 0.003/0.08 Cu PLATING TO ACHIEVE A $\varnothing 0.040 \pm 0.003/1.02 \pm 0.07$ HOLE.

mat'l code				tolerances unless otherwise specified		CUSTOMER COPY		ELECTRONICS	
lfr	ecm no.	dr	date	linear	.XX ± .01 / .X ± .3			projection	title
C					.XXX ± .005 / .XX ± .13		10P		
				angles	.XXX ± .0020 / .XXX ± .051			IN/MM	product family
				dr	0° ± 2°	scale	A		
				enr	C. BAROT 01-29-99			2:1	size
				chr	J. BROWN 01-29-99		2		
				appd	J. BROWN 02-21-00				
sheet index	revision sheet								

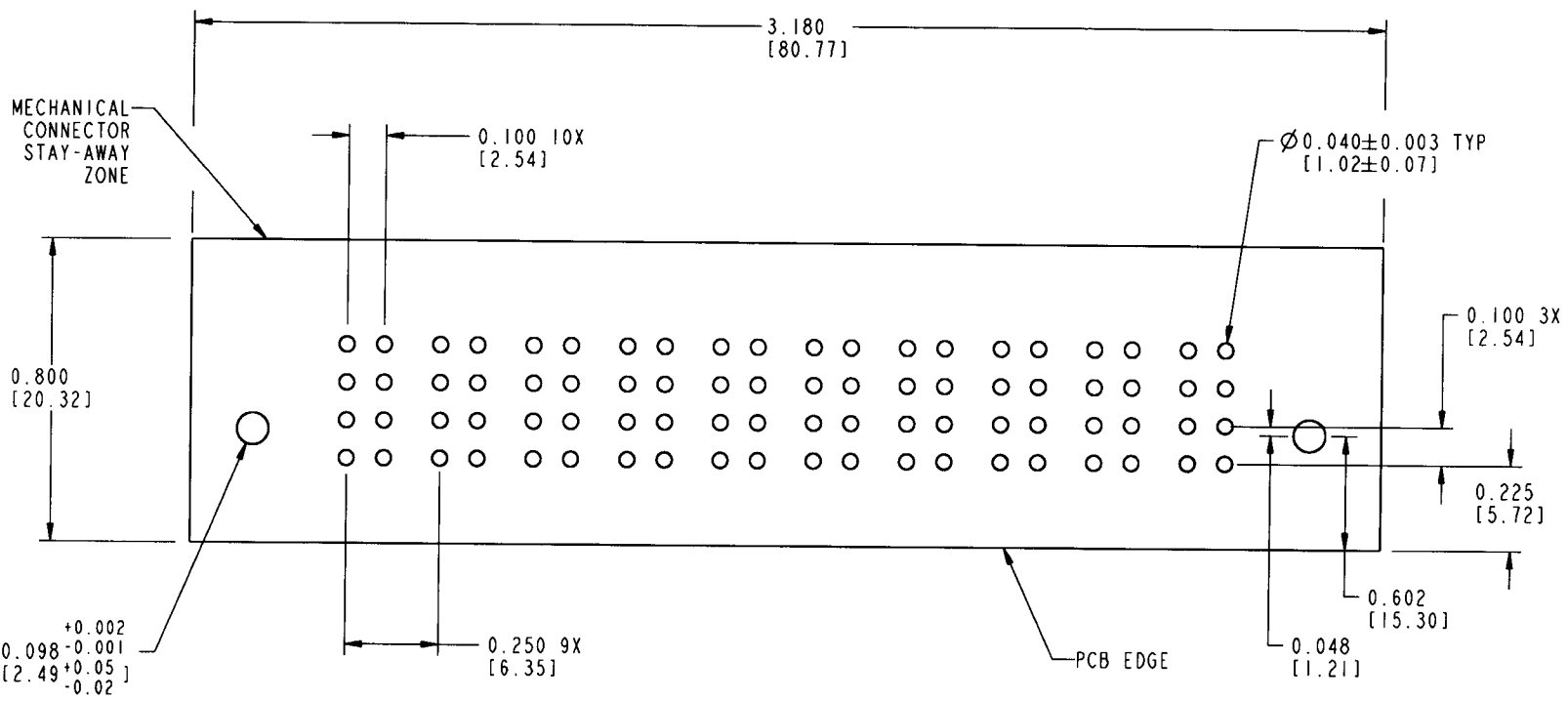
cage code 22526

Tous droits strictement réservés. Reproduction ou communication a des tiers interdite sous quelque forme que ce soit sans autorisation écrite du propriétaire. Propriété de c FCI. Droits de reproduction FCI.

All rights strictly reserved. Reproduction or issue to third parties in any form whatever is not permitted without written authority from the proprietor. Property of FCI. Copyright FCI.



PRODUCT NUMBER
51439-001



RECOMMENDED PCB LAYOUT

mat'l code				tolerances unless otherwise specified				CUSTOMER COPY		ELECTRONICS www.fciconnect.com	
lfr	ecn no.	dr	date	linear	.XX ± .01 / X ± .3	projection			title		
C					.XXX ± .005 / .XX ± .13				10P VERTICAL PRESSFIT RECEPTACLE		
				angles	.XXXX ± .0020 / .XXX ± .051				product family		
				dr	0° ± 2°				PwrBlade		
				engr	C. BAROT 01-29-99	scale			code		
				chr	J. BROWN 01-29-99	2:1			213		
				appd	J. BROWN 02-21-00		size		SHEET		
sheet index		revision sheet				A		51439		3	

form no. 7530-001-103

cage code 22526