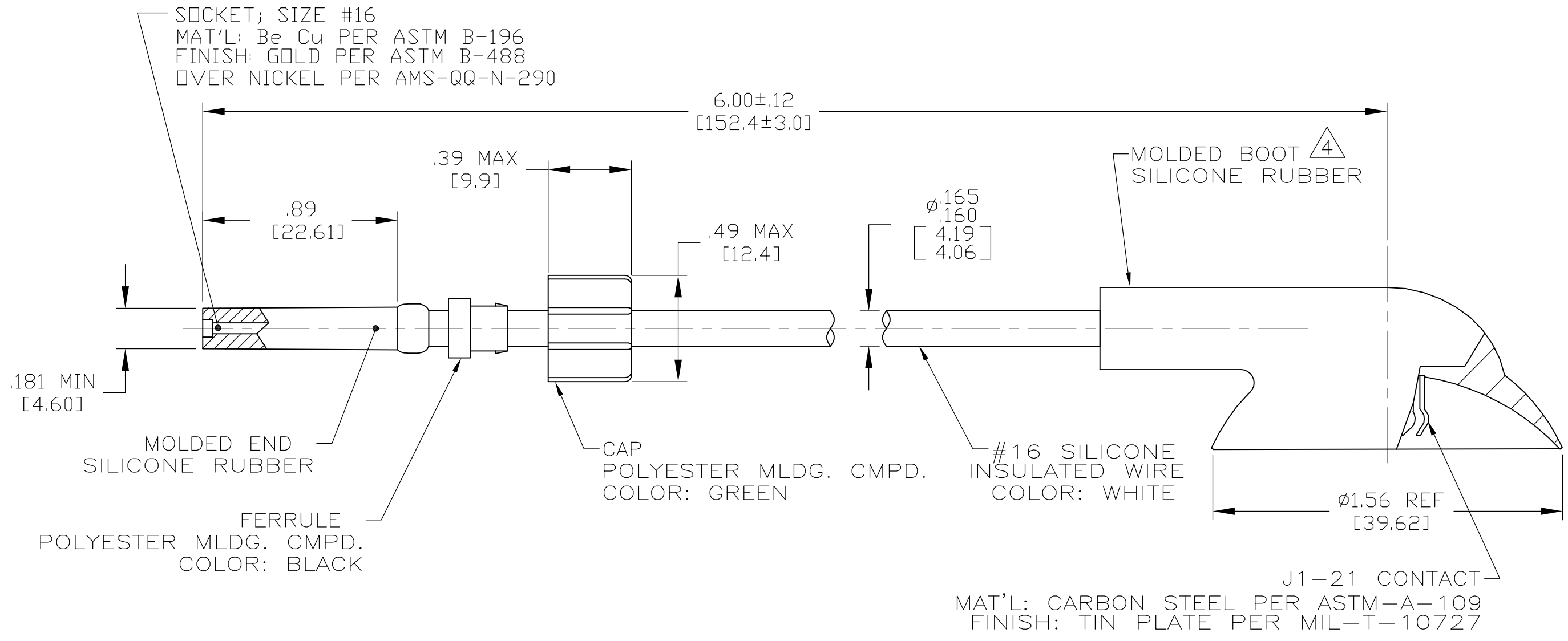


THIS DRAWING IS UNPUBLISHED. RELEASED FOR PUBLICATION
 © COPYRIGHT BY TYCO ELECTRONICS CORPORATION. ALL RIGHTS RESERVED.

LOC	DIST	REVISIONS					
DF	SO	P	LTR	DESCRIPTION	DATE	DWN	APVD
			A	RELEASED	1-24-07	CT	DE



1. MARKED PER MIL-STD-130.
 2. TO MATE WITH AMP LGH-1/2L RECEPTACLE WITH .89 [22.6] BARREL DEPTH.
 3. OPERATING VOLTAGE: 15 KVDC AT 0 TO 70,000 FEET, -55°C TO +125°C.
- 4 TO MATE WITH ANY JEDEC-J1-21 CAP.

1883872-1
 PART NO.

THIS DRAWING IS A CONTROLLED DOCUMENT.		DWN C.C.THOMAS 1-24-07	AMP Tyco Electronics Corporation Harrisburg, PA 17105-3608	
DIMENSIONS: INCHES [mm]		CHK D.EABY 1-25-07	NAME LEAD ASS'Y, POS STOP, SGL. END, LGH-1/2L WITH J1-21 BOOT	
TOLERANCES UNLESS OTHERWISE SPECIFIED:		APVD D.EABY 1-25-07	SIZE A3	
0 PLC ± -		PRODUCT SPEC -	CAGE CODE 00779	DRAWING NO 1883872
1 PLC ± -		APPLICATION SPEC -	RESTRICTED TO -	
2 PLC ± .02 [0.5]		WEIGHT -	SCALE 2:1	SHEET 1 OF 1
3 PLC ± .005 [0.13]		CUSTOMER DRAWING	REV A	
4 PLC ± -				
ANGLES ± -				
MATERIAL SEE CALLOUTS	FINISH SEE CALLOUTS			