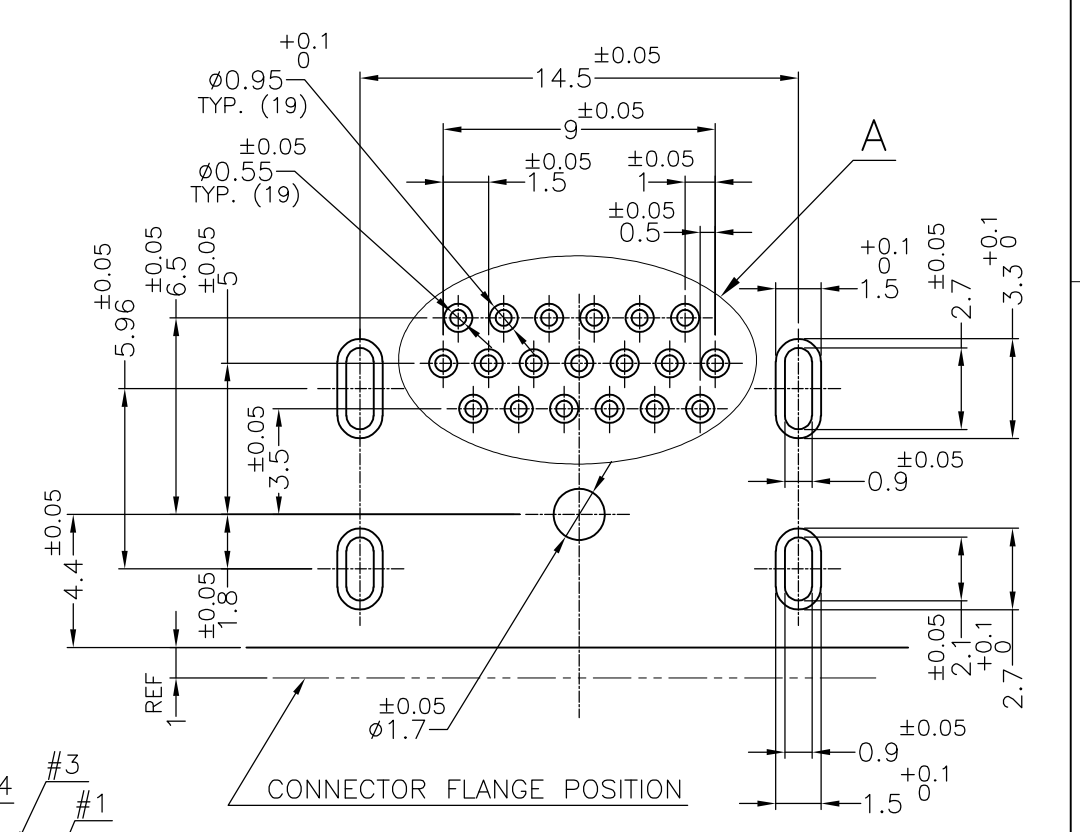
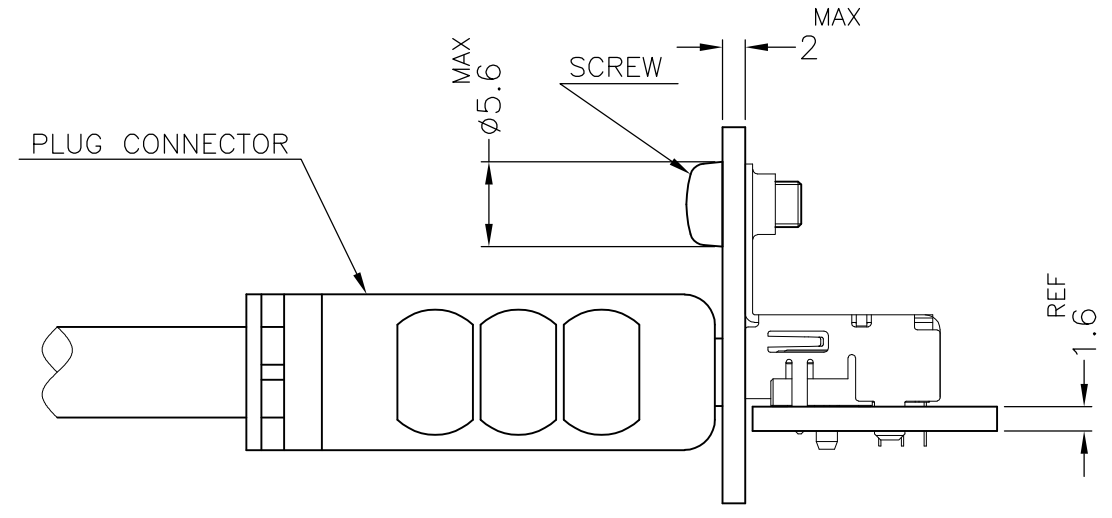
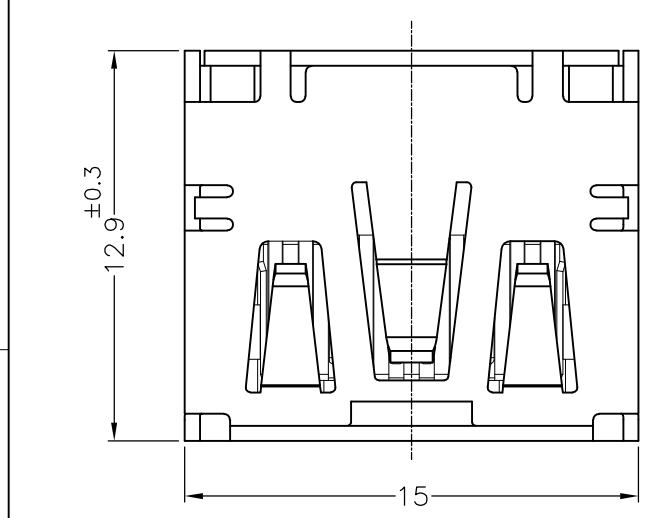
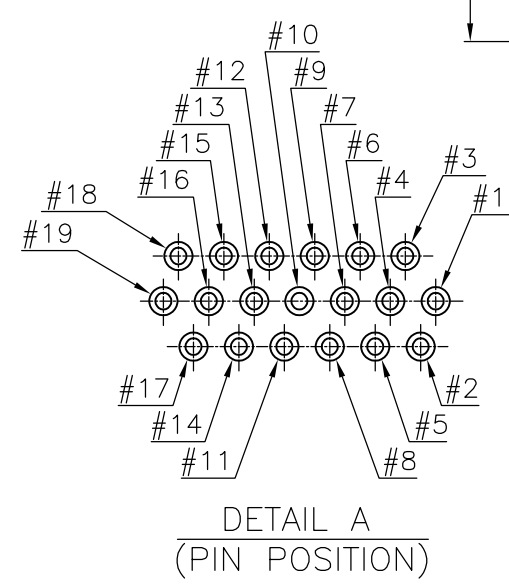
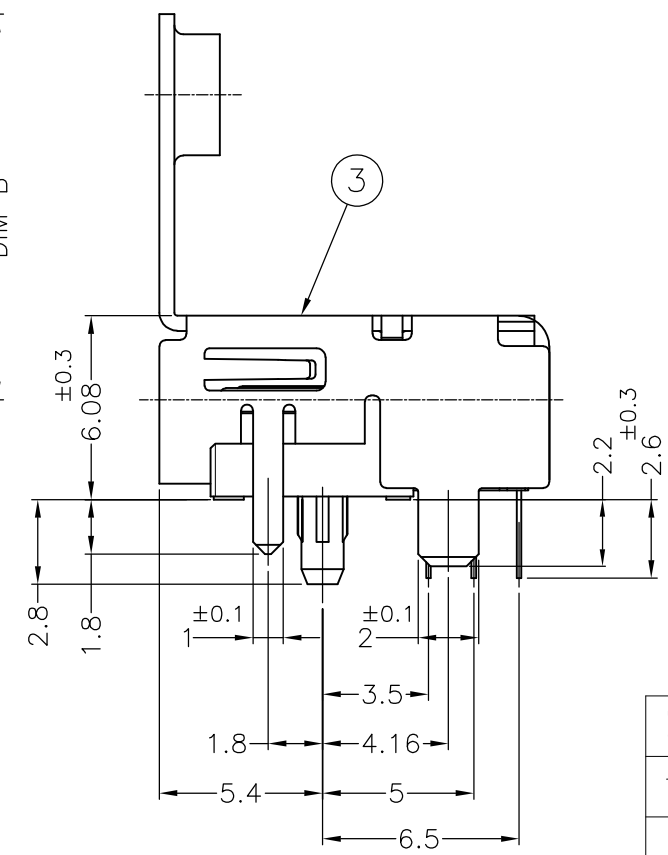
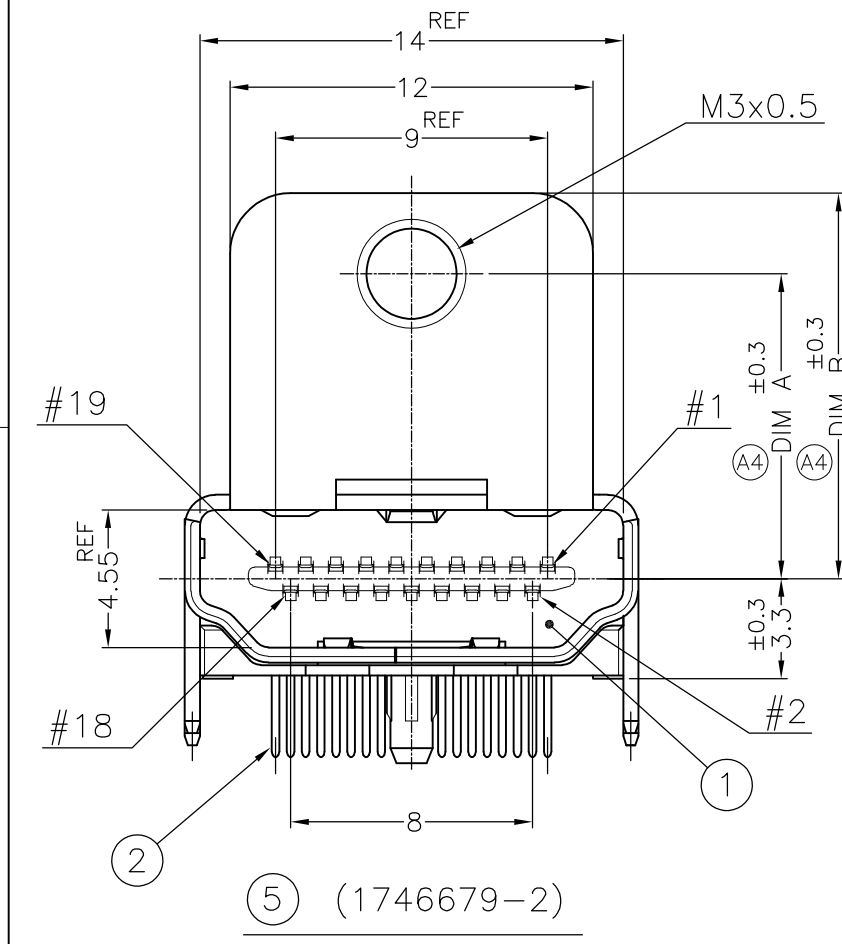


THIS DRAWING IS UNPUBLISHED. RELEASED FOR PUBLICATION  
 © COPYRIGHT - By - ALL RIGHTS RESERVED.

LOC	DIST	REVISIONS			
P	LTR	DESCRIPTION	DATE	DWN	APVD
J	-	B1	REVISED PER ECO-11-005030	11MAR11	RK HMR



MATING CONDITION (REFERENCE)  
(SCALE 2:1)



P.C.B LAYOUT  
 SHOWN AS CONNECTOR MOUNTING SIDE  
 TOLERANCE: NON-CUMULATIVE  
 (REFERENCE)

CONTACT AREA: Au 0.3µm MIN. SOLDERING AREA: TIN, ALL OVER UNDER Ni	COPPER ALLOY	19	CONTACT	③
Tin (MATTE), ALL OVER UNDER Ni	COPPER ALLOY	1	SHELL	②
FINISH	THERMOPLASTIC UL94V-0, BLACK COLOR	1	HOUSING	①
	MATERIAL	QTY.	DISCRIPTION	ITEM

P/N ②	DIM B	DIM A
1746679-2	12.75	10.08
1746679-1	11.97	9

THIS DRAWING IS A CONTROLLED DOCUMENT.

DWN Y. HIRATA	15SEPT2004	<b>STE</b> TE Connectivity
CHK T. KIMURA	15SEP2004	
APVD K. IKEGAMI	15SEP2004	
PRODUCT SPEC		
108-78180		NAME
APPLICATION SPEC		HDMI 19 POS RECEPTACLE ASSY DIP TYPE -LEAD FREE-
WEIGHT		SIZE
CUSTOMER DRAWING		A3
		CAGE CODE
		00779
		DRAWING NO
		C-1746679
		RESTRICTED TO
		SCALE
		4:1
		SHEET
		1 OF 2
		REV
		B1

