

DO NOT SCALE FROM THIS PRINT

CLP-1XX-XX-XX-S-XX

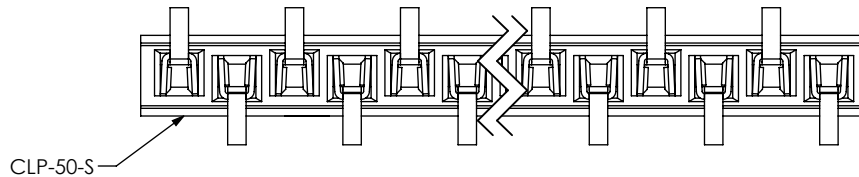
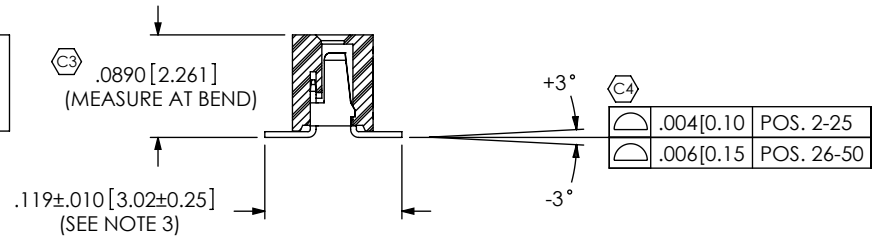
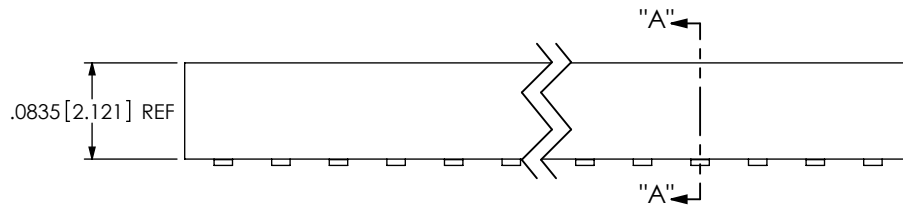
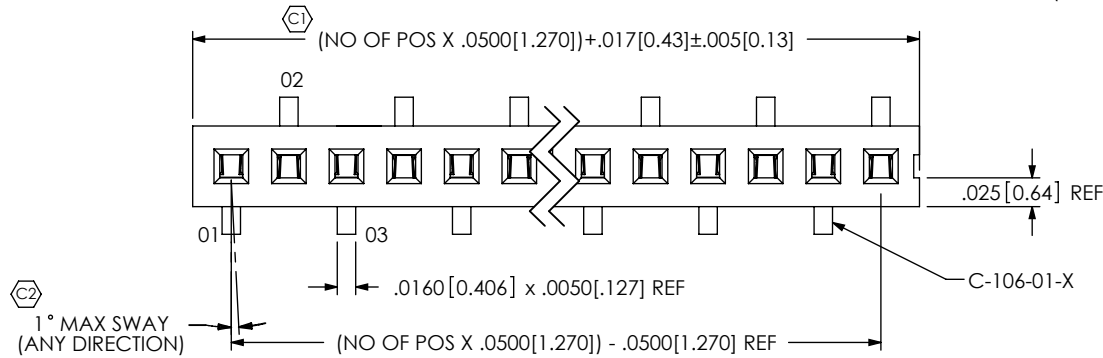
No. OF POSITIONS
-02 THRU -50

LEAD STYLE SPEC
-02: SURFACE MOUNT
(USE C-106-01-X)

OPTION
-TR: TAPE AND REEL

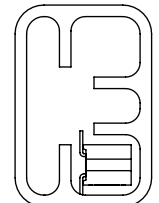
BODY SPEC
-S: SINGLE ROW
(USE CLP-50-S)

PLATING SPEC
-G: 10μ" GOLD IN CONTACT AREA,
3μ" GOLD ON TAIL
-F: 3μ" SELECTIVE GOLD IN CONTACT AREA,
MATTE TIN ON TAIL
-L: 10μ" SELECTIVE GOLD IN CONTACT AREA,
MATTE TIN ON TAIL
-FM: 3μ" SELECTIVE GOLD IN CONTACT AREA,
MATTE TIN ON TAIL



SECTION "A"- "A"

TUBE PACKAGING
SCALE 3:1



TUBE: PT-1-24-02-65
PLUG: TP-30

NOTES:

1. (C) PRESENTS A CRITICAL DIMENSION FOR STATISTICAL PROCESS CONTROL.
2. MINIMUM PUSHOUT FORCE: .5 LB.
3. SHEAR TAILS TO DIMENSIONS SHOWN.
4. PARTS TO BE SYMMETRICAL ABOUT C.
5. WILL LOSE ONE POSITION PER CUT TO OBTAIN ODD POSITION PARTS. WILL LOSE TWO POSITIONS PER CUT TO OBTAIN EVEN POSITION PARTS.
6. TUBE PACKAGE POSITIONS 5 THROUGH 50 ONLY. POSITIONS 2 THRU 4 ARE TO BE LAYER PACKAGED.
7. .002[0.05] MAX BURR.
8. CUT FLASH TO BE .010[0.25] MAX WITH NO FLASH ALLOWED IN HOLES OR EXTENDING BELOW LEADS.

UNLESS OTHERWISE SPECIFIED, DIMENSIONS ARE IN INCHES. TOLERANCES ARE:

DECIMALS	ANGLES
.XX: $\pm .01$ [.3]	2°
.XXX: $\pm .005$ [.13]	
.XXXX: $\pm .0020$ [.051]	

PROPRIETARY NOTE

THIS DOCUMENT CONTAINS INFORMATION CONFIDENTIAL AND PROPRIETARY TO SAMTEC, INC. AND SHALL NOT BE REPRODUCED OR TRANSFERRED TO OTHER DOCUMENTS OR DISCLOSED TO OTHERS OR USED FOR ANY PURPOSE OTHER THAN THAT WHICH IT WAS OBTAINED WITHOUT THE EXPRESSED WRITTEN CONSENT OF SAMTEC, INC.

MATERIAL: DO NOT SCALE DRAWING SHEET SCALE: 6:1
INSULATOR: LCP, UL 94 VO, COLOR: BLACK
CONTACT: PHOS BRONZE

DESCRIPTION:
LOW PROFILE .050 C.L. SINGLE ROW ASM.

DWG. NO. CLP-1XX-XX-XX-S-XX

BY: BRATCHER 06/07/1995 SHEET 1 OF 1