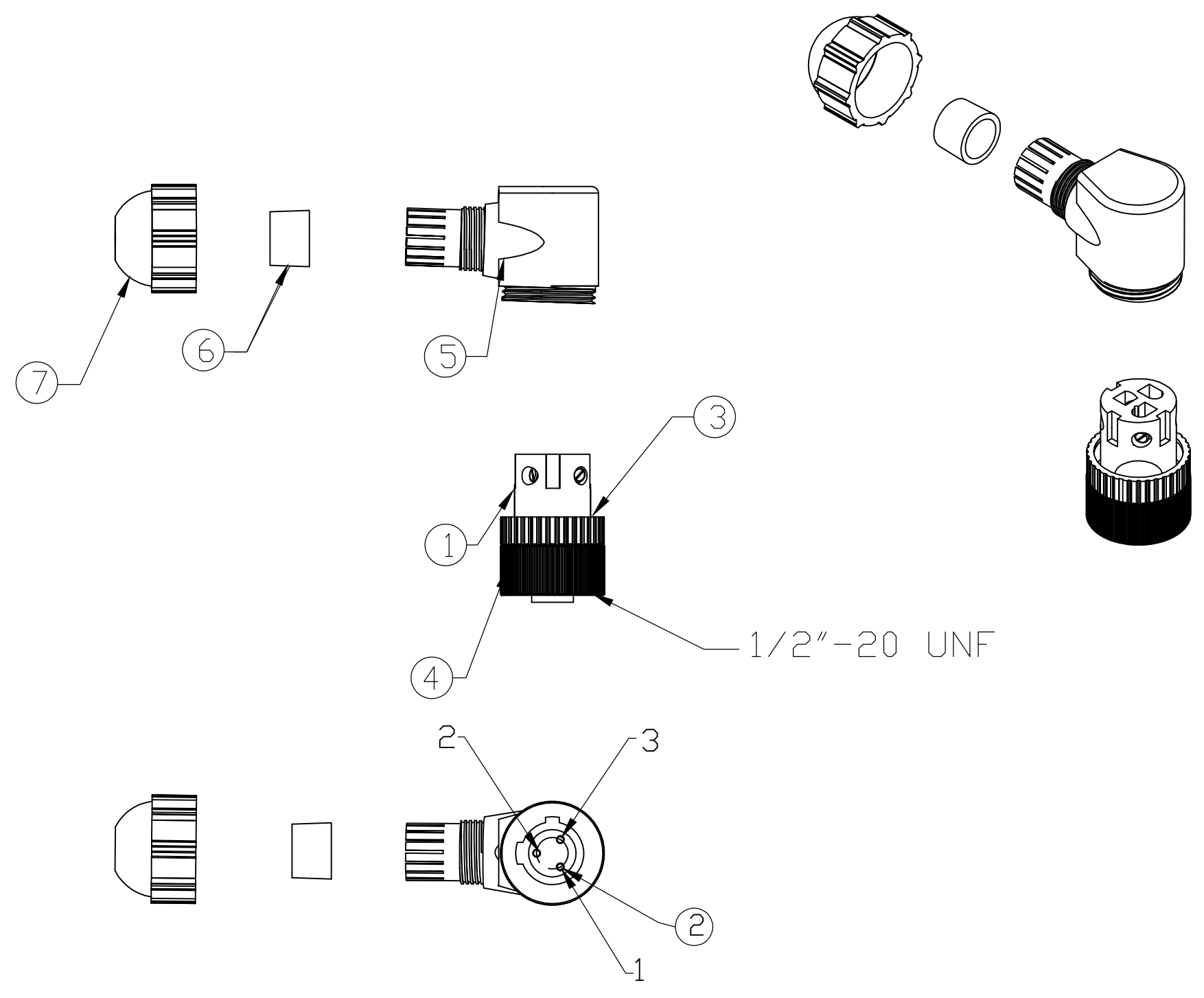
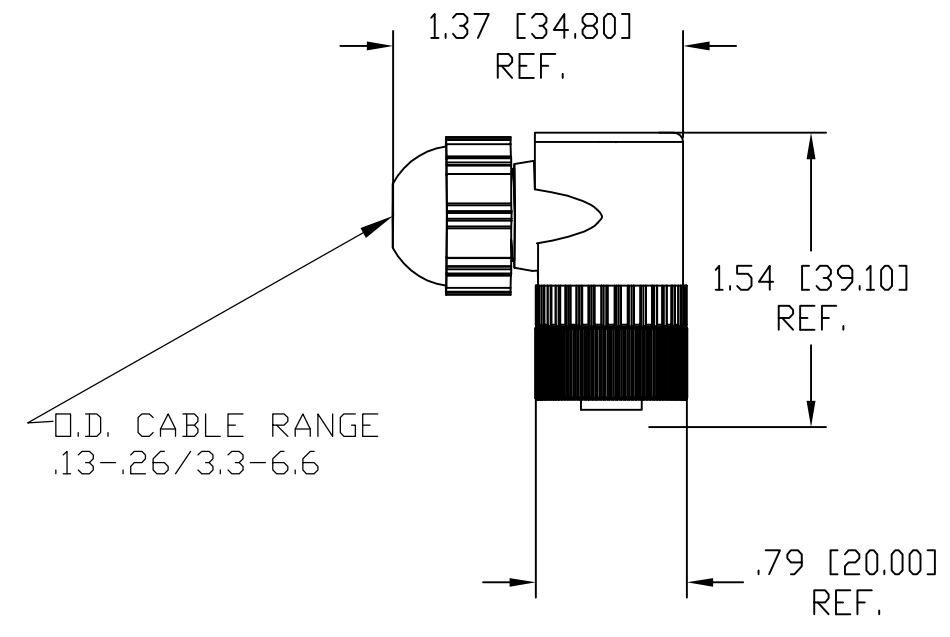
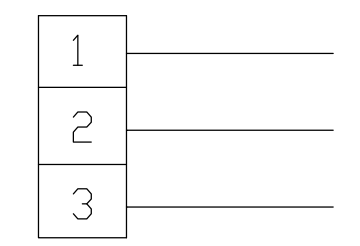


MATERIAL NUMBER	ENGINEERING NUMBER
1200750016	7A3001-31



FEMALE FACE VIEW



WIRING CHART

VOLTAGE RATING	250VAC/DC
AMPERAGE RATING	4 AMPS
PROTECTION	IP67
OPERATING TEMPERATURE	-40°C TO 185°C

ITEM		COMPONENT	MATERIAL	FINISH
1	1	INSERT	NYLON	BLACK
2	3	CONTACTS	COPPER ALLOY	GOLD PLATED
3	1	O-RING	NITRILE	BLACK
4	1	COUPLING NUT	BRASS	NICKEL PLATED
5	1	MOLDED BODY	NYLON	BLACK
6	1	GROMMET	NITRILE	BLACK
7	1	CORD GRIP BODY	NYLON	BLACK

RELEASE EC NO: WEU2010-0045 DRWN: TWOLDEGE 8/20/09 CH'KD: BWOODMAN APPR: JFMURPHY 2009/08/21	DESCRIPTION A	QUALITY SYMBOL ▽=0 ▽=0	GENERAL TOLERANCES (UNLESS SPECIFIED) <table border="1"> <tr> <td></td> <td>mm</td> <td>INCH</td> </tr> <tr> <td>4 PLACES</td> <td>±----</td> <td>±----</td> </tr> <tr> <td>3 PLACES</td> <td>±----</td> <td>±----</td> </tr> <tr> <td>2 PLACES</td> <td>±----</td> <td>±.01</td> </tr> <tr> <td>1 PLACE</td> <td>±0.3</td> <td>±----</td> </tr> </table>		mm	INCH	4 PLACES	±----	±----	3 PLACES	±----	±----	2 PLACES	±----	±.01	1 PLACE	±0.3	±----	DIMENSION STYLE ---- DRAWN BY DATE TWOLDEGE 2009/08/20 CHECKED BY DATE BWOODMAN 2009/08/20 APPROVED BY DATE	SCALE ---- DESIGN UNITS INCH THIRD ANGLE PROJECTION	TITLE MIC 3P FE DK ATTACH 90D .13-.26 O.D. CABLE RANGE PG7 CABLE FITTING
			mm	INCH																	
		4 PLACES	±----	±----																	
		3 PLACES	±----	±----																	
2 PLACES	±----	±.01																			
1 PLACE	±0.3	±----																			
DRAFT WHERE APPLICABLE MUST REMAIN WITHIN DIMENSIONS	MATERIAL NO. 1200750016	DOCUMENT NO. SD-120075-002	SHEET NO. 1 OF 1																		
SIZE C	THIS DRAWING CONTAINS INFORMATION THAT IS PROPRIETARY TO MOLEX INCORPORATED AND SHOULD NOT BE USED WITHOUT WRITTEN PERMISSION																				