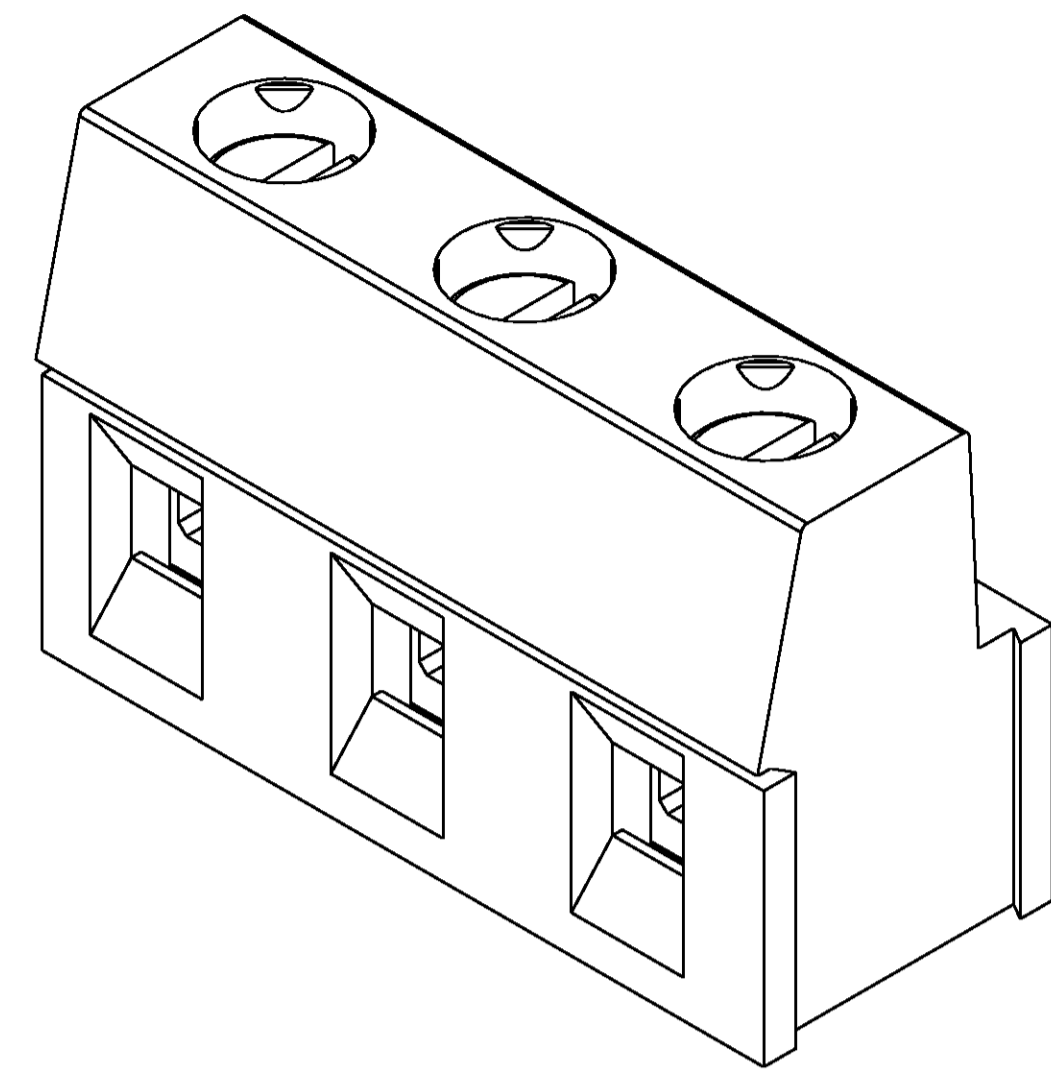
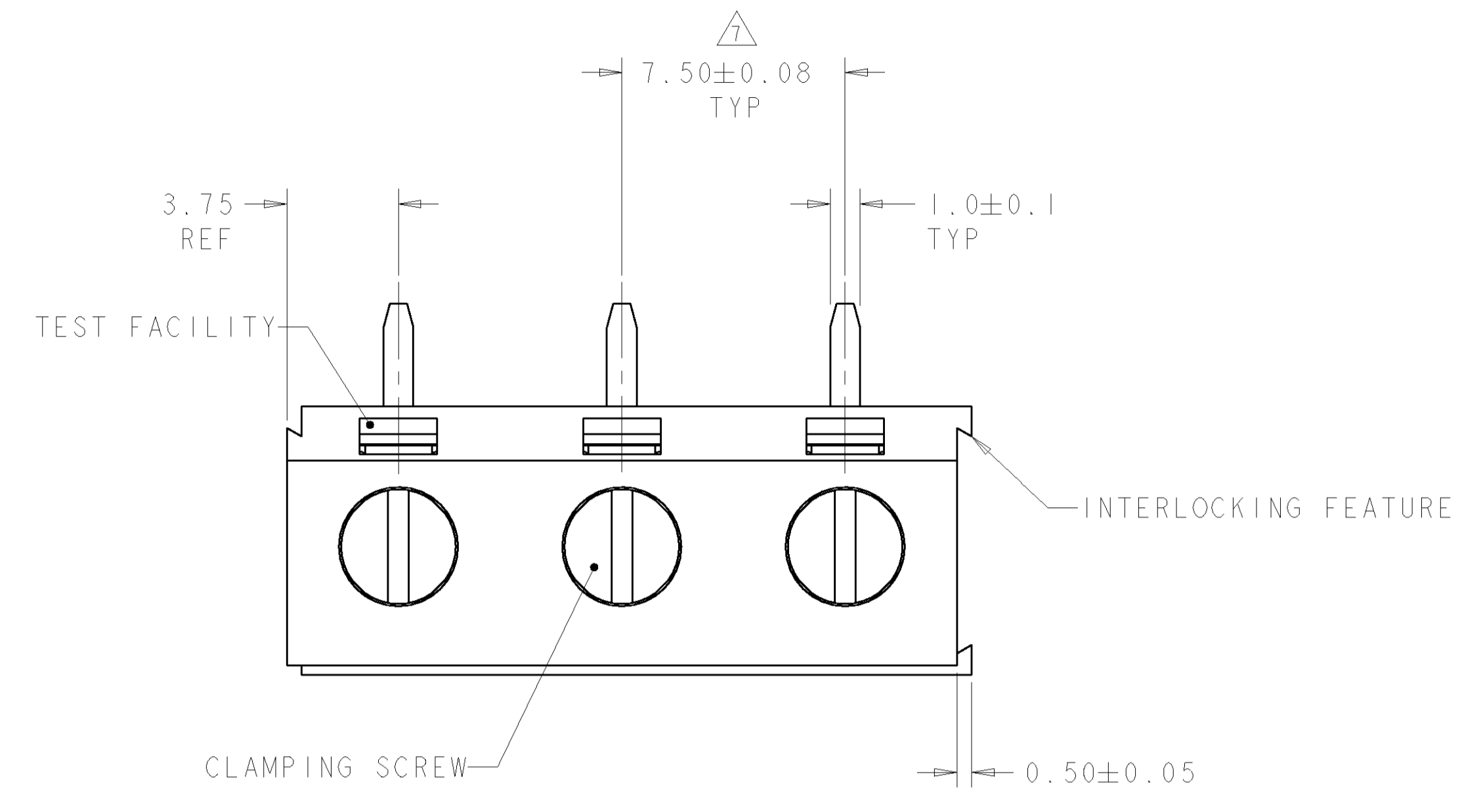
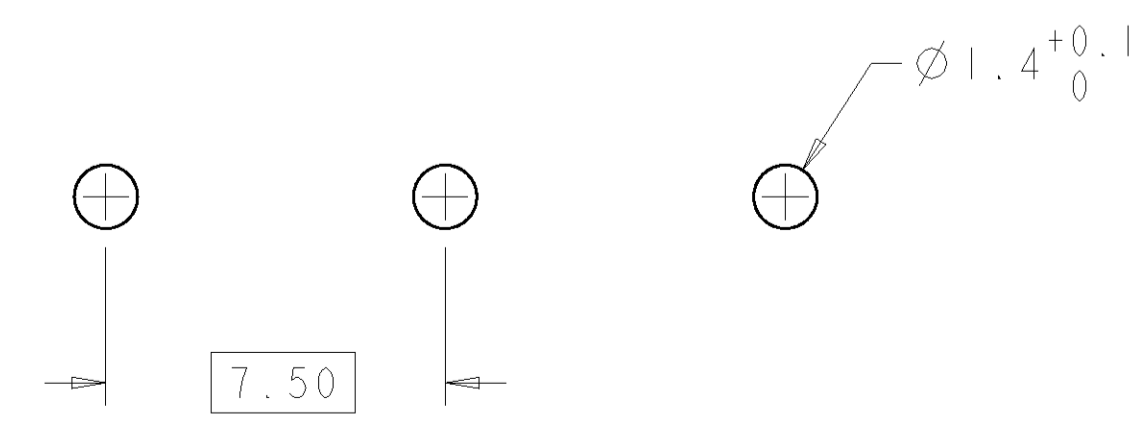
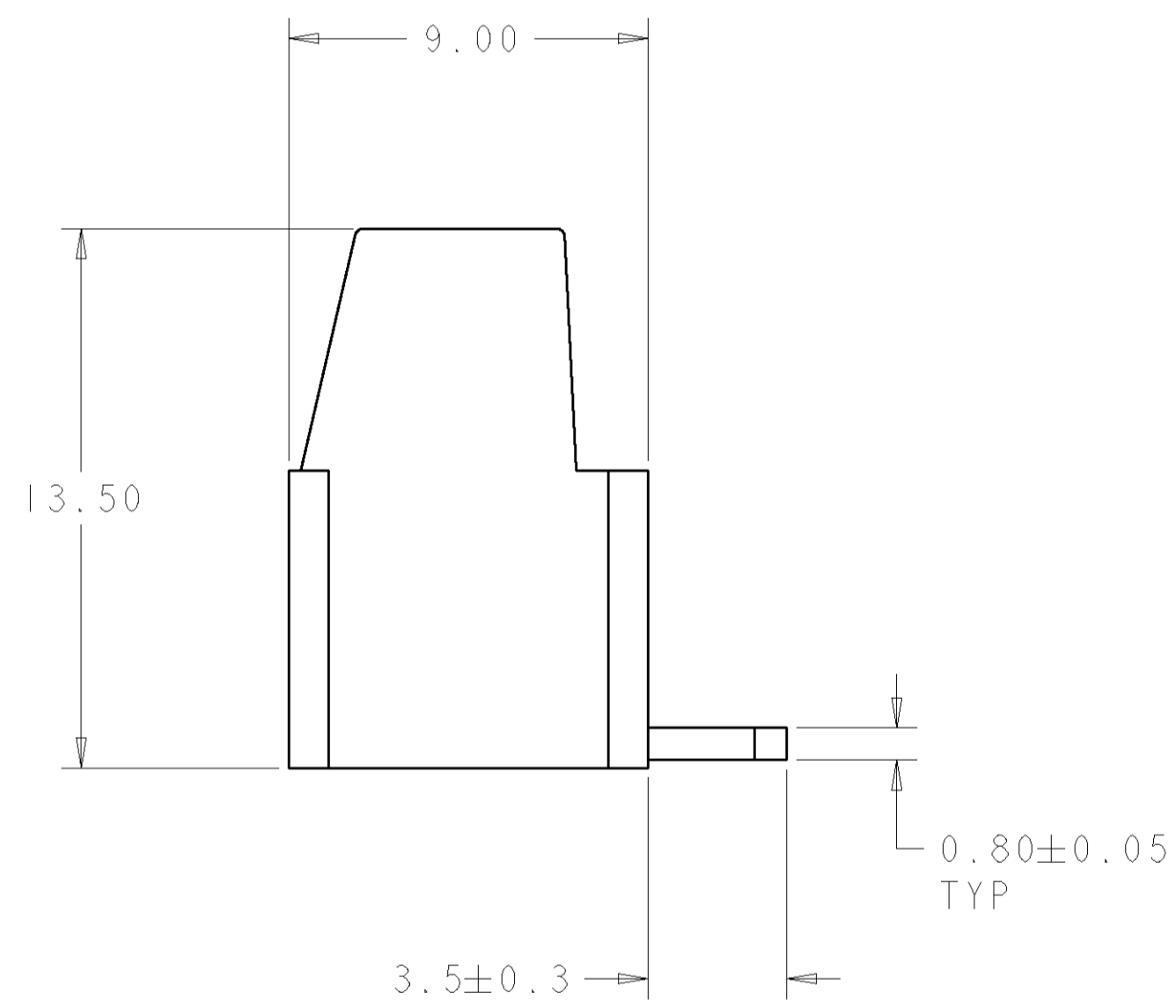
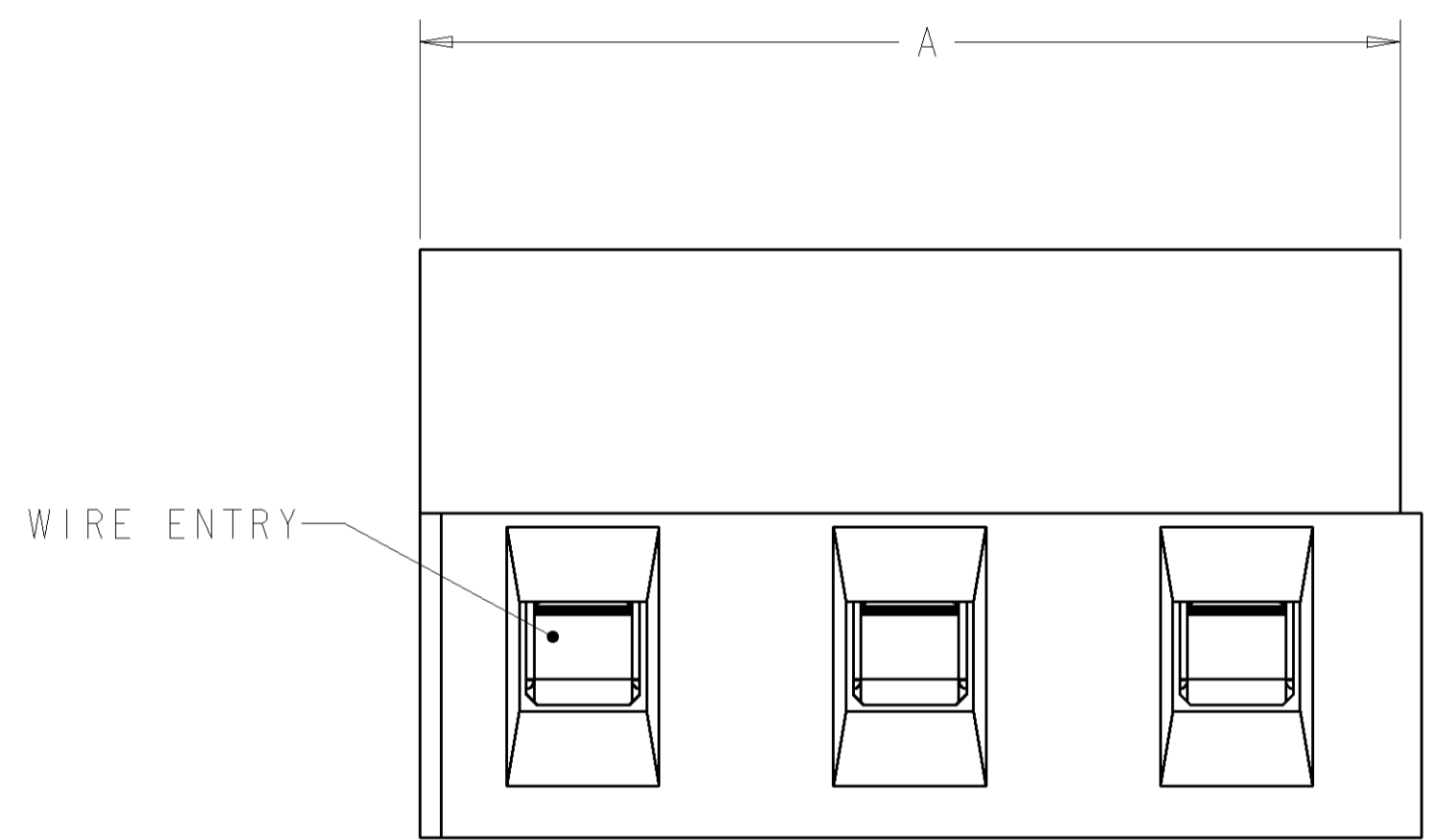


LOC	DIST	REVISIONS					
FT	0	P	LTR	DESCRIPTION	DATE	DWN	APVD
		A		RELEASED	29JUN2001	SW	DB
		B		REVISED EC 063B-0357-01	10JUL2001	SW	DB



796895-3 AS SHOWN

- △ MATERIALS AND FINISH**
 HOUSING: PA 6-6, UL 94-V0, COLOR: GREEN.
 CLAMP: BRASS, NICKEL PLATED.
 TERMINAL: BRASS, TIN PLATED.
 CLAMPING SCREW: M3, BRASS, NICKEL PLATED.
- SUITABLE FOR 1,6-2,4mm PC BOARD THICKNESS.
 - END-TO-END STACKABLE W/INTERLOCK WITHOUT LOSS OF CENTERLINE SPACING.
 - WIRE SIZE RANGE: 12-30 AWG.
 - RECOGNIZED UNDER THE COMPONENT PROGRAM OF UNDERWRITERS LABORATORIES INC., FILE N° E60677.
 - IMQ CERTIFICATE WITH SURVEILLANCE IN CONFORMITY WITH IEC 998-1/998-2-1.
- △ NOT CUMULATIVE TOLERANCE.**



RECOMMENDED PC BOARD LAYOUT

37.5	5	796895-5
30.0	4	796895-4
22.5	3	796895-3
15.0	2	796895-2
A	NO. OF POSN	PART NUMBER

DIMENSIONS:		TOLERANCES UNLESS OTHERWISE SPECIFIED:		MATERIAL:		FINISH:		WEIGHT:		CUSTOMER DRAWING:	
mm		0 PLC	±								
		1 PLC	±0.1								
		2 PLC	±0.25								
		3 PLC	±0.500								
		4 PLC	±0.000								
		ANGLES	±								

DWN	S. WELDON	09JUL2001	BUCHANAN	Tyco Electronics Harrisburg, PA 17105-3608
CHK	D. BIEVENOUR	09JUL2001		
APVD	D. BIEVENOUR	09JUL2001	NAME	
PRODUCT SPEC			TERMINAL BLOCK, PCB MOUNT, TOP WIRE ENTRY, STACKING, ALIGNED SCREW AND PIN, 7.5mm PITCH	
APPLICATION SPEC			SIZE	
MATERIAL			CAGE CODE	
FINISH			DRAWING NO	
WEIGHT			RESTRICTED TO	
CUSTOMER DRAWING			SCALE	
			SHEET	
			OF	
			REV	
			B	