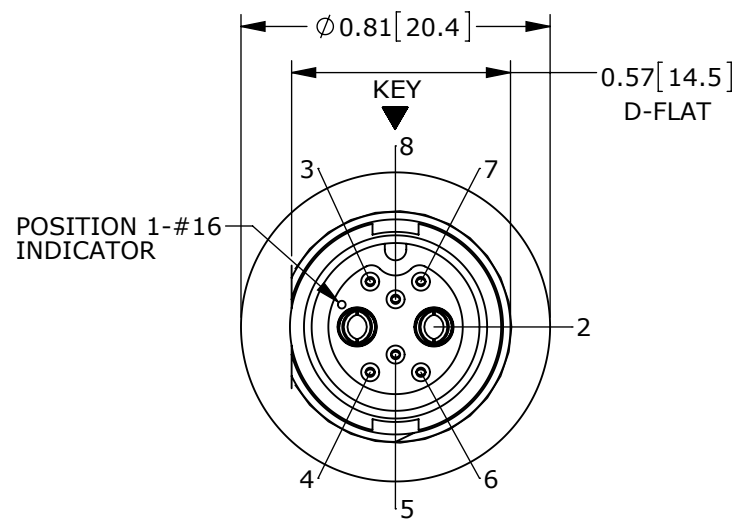
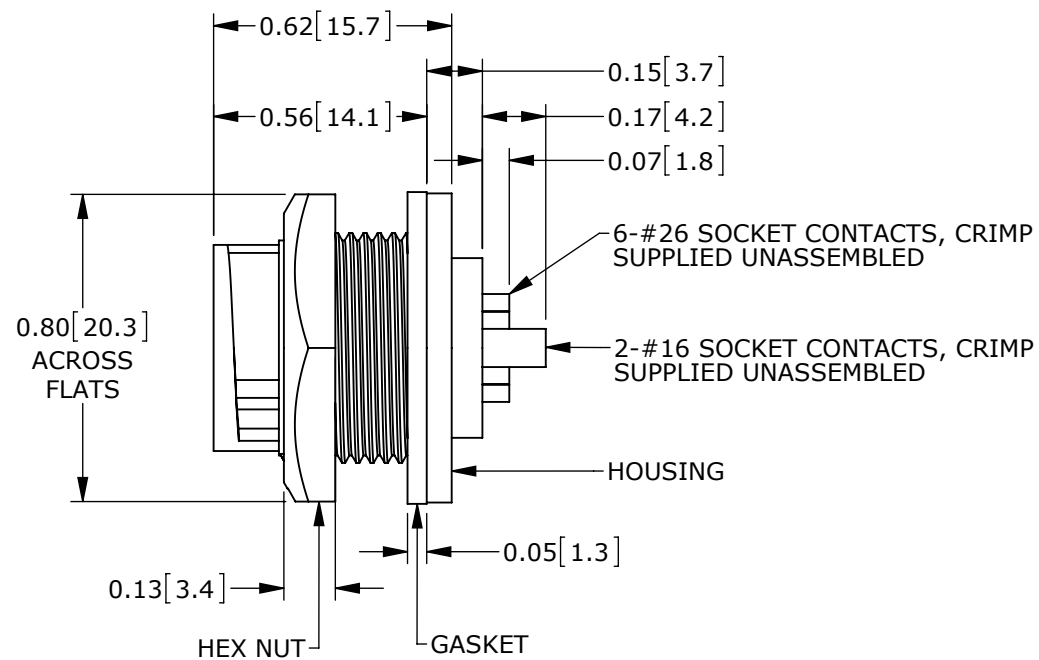


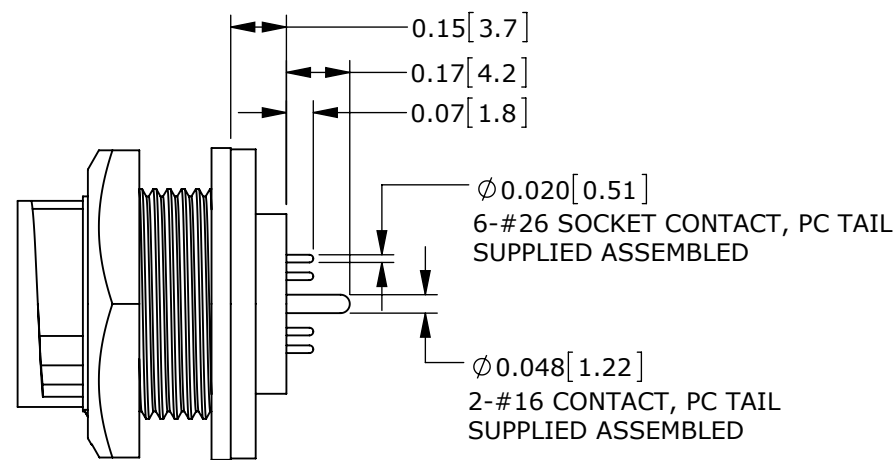
CUSTOMER PRINT

PART NUMBER: W7A8X-8SG-3XX_CD

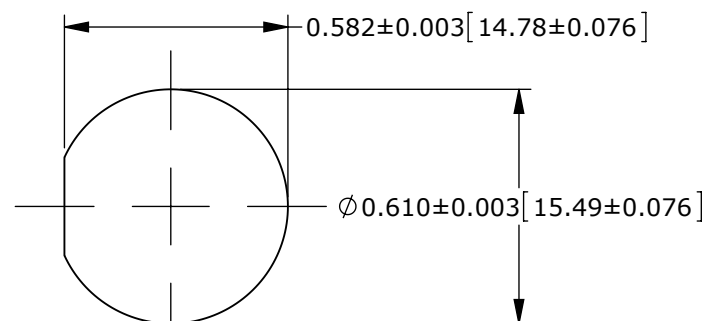
NOTES:
 1. ALL PARTS TO BE BULK PACKED.
 2. SEE DRAWING HPMIMIX FOR HOLE PATTERN.
 3. DIMENSIONS ARE FOR REFERENCE ONLY.



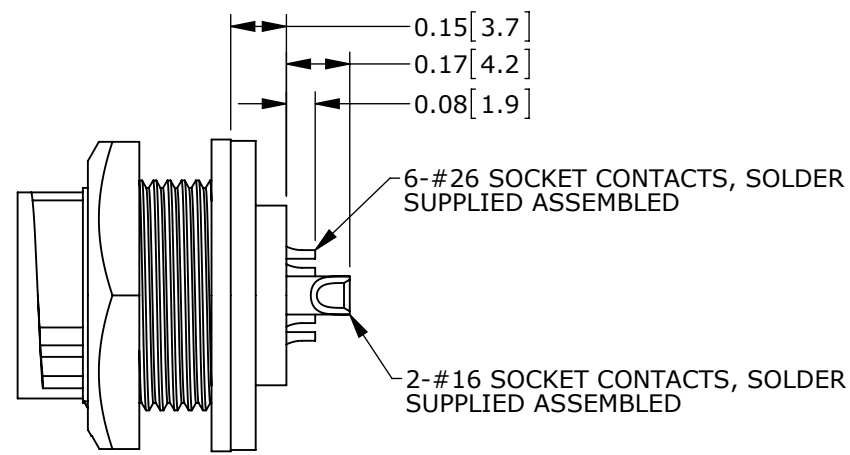
MATING FACE
 ASSY: W7A81-8SG-3ES SHOWN



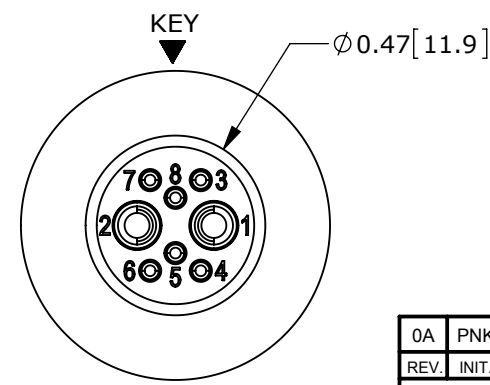
ASSEMBLED VIEW
 ASSY: W7A81-8SG-3ES SHOWN



RECOMMENDED PANEL CUTOUT

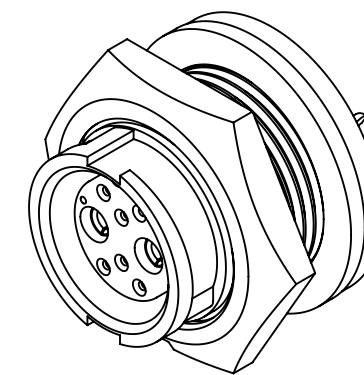


ASSEMBLED VIEW
 ASSY: W7A82-8SG-300 SHOWN



WIRING END
 ASSY: W7A82-8SG-300 SHOWN

CONNECTOR P/N	POSITIONS		CONTACT STYLE	EPOXY
	#16	#26		
W7A80-8SG-300	2	6	CRIMP	(NONE)
W7A81-8SG-300			PC TAIL	(NONE)
W7A81-8SG-3ES			PC TAIL	ES
W7A82-8SG-300			SOLDER	(NONE)
W7A82-8SG-3ES			SOLDER	ES




CUSTOMER APPROVAL

THIS DOCUMENT CONTAINS CONFIDENTIAL INFORMATION PROPRIETARY TO CONXALL CORPORATION. ANY REPRODUCTION, DISCLOSURE, OR USE OF THIS DOCUMENT /INFORMATION IS EXPRESSLY PROHIBITED UNLESS AUTHORIZED IN WRITING BY CONXALL CORPORATION.

APPROVED BY: _____
 DATE: _____

PRELIMINARY

RoHS COMPLIANT

0A	PNK	01/15/15	PDR 14001 PRELIMINARY	
REV.	INIT.	DATE	DESCRIPTION	
	PNK	01/15/15	ORIG. DRAWN BY: _____ DATE: _____ CHECKED BY: _____  601 E. WILDWOOD VILLA PARK, IL 60181	
ALL UNITS ARE IN FEET, INCHES, FRACTION OF INCHES AND DECIMALS. UNLESS OTHERWISE SPECIFIED TOLERANCES: 3 PLACE DECIMALS ±.005 ANGLES ±1° FRACTIONS ±1/16 ▽ = CRITICAL CHARACTERISTIC FLAG PER SPEC. XXXX			APPROVED BY: _____ TITLE: PANEL-MOUNT CONNECTOR 2-16 + 6-26 SOCKET CONTACTS MINI-CON-X POWER/SIGNAL CUSTOMER: STANDARD PRODUCT	SCALE: NTS SIZE: B SHEET: 1 OF 1
FILE:	W7A8X-8SG-3XX_CD	DIRECTORY:	SLW	PART NUMBER: W7A8X-8SG-3XX REV: 0A