

# ATC AT Series 0603

## RF/Microwave Attenuator

- Thin Film Design
- Power Rating Up to 1 watt
- Frequency Response  
+/- 0.5 dB
- Characterized to 20 GHz
- CPW and Microstrip Applications
- EIA 0603 SMT
- Highest Power in Class
- AlN construction
- Balanced Pi design
- Non-Magnetic
- RoHs compliant

ATC's new RF/Microwave SMT Attenuator Series (AT) is manufactured with the highest quality materials for reliable and repeatable performance. These devices are constructed with Aluminum Nitride (AlN) and are available in a standard EIA 0603 case size. The AT Series exhibits excellent performance characteristics for the most demanding RF/Microwave applications.

The AT provides virtually flat loss over a broad frequency spectrum. Thin film metallization provides for very stable characteristics over temperature and time. Its balanced PI design provides even current distribution and accurate attenuation characteristics from DC to 20 GHz. It is designed to meet a wide range of RF and microwave large and small signal level applications. The AT is ideal for impedance matching, input padding, signal level tuning, and many other critical RF/Microwave applications. The AT is rated highest power in class and is suitable for microstrip and CPW applications.

The non-magnetic termination is available providing a range of attachment options such as eutectic die-bonding, conductive epoxies, and soldering. The AT is fully compatible with high speed automated pick-and-place processing.

Typical applications: Telecommunications, Satellite Communications, Cellular Base Stations, Microwave Radio, ISM, RF/Microwave Power, Military /Aerospace, Test and Measurement.

Functional applications: Impedance Matching, Input Padding, Signal Level Tuning, Signal Conditioning.

**Note:** Consult Factory for other attenuation values, termination styles and case sizes.



### ENVIRONMENTAL SPECIFICATIONS

**OPERATING TEMPERATURE:** -55°C to +150°C

100% inspection Per MIL-STD-883

### ELECTRICAL AND MECHANICAL SPECIFICATIONS

**NOMINAL IMPEDANCE:** 50 Ohms

**FREQUENCY RANGE:** DC to 20 GHz

**VALUES AVAILABLE:** 0 to 10 dB (1 dB increments)

**INPUT POWER CW:**

1W: 0 to 6 dB

0.75W: 7 to 10 dB

**VSWR:** 1.25:1 typical

**FREQUENCY RESPONSE (dB):**

D.C. to 10 GHz: ±0.50 dB

>10 GHz: ±1 dB

**SUBSTRATE MATERIALS:** AlN (1 to 10 dB)

Al<sub>2</sub>O<sub>3</sub> (0 dB)

**RESISTORS:** Tantalum Nitride

**TERMINAL:** Thin Film metal stack, Au



**AMERICAN**  
ATC North America  
sales@atceramics.com

**TECHNICAL**  
ATC Europe  
saleseur@atceramics.com

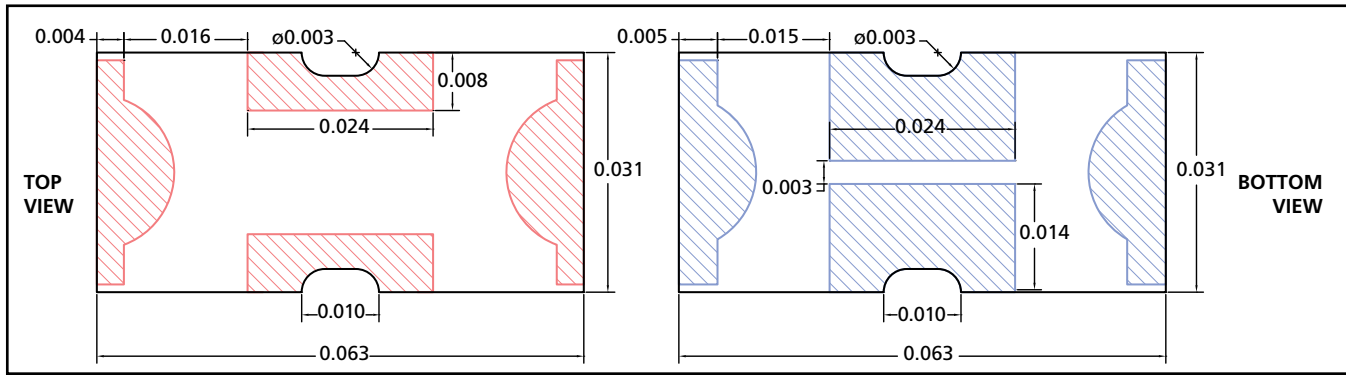
**CERAMICS**  
ATC Asia  
sales@atceramics-asia.com

**THE ENGINEERS' CHOICE®**  
ISO 9001 REGISTERED COMPANY

**THE ENGINEERS' CHOICE®**

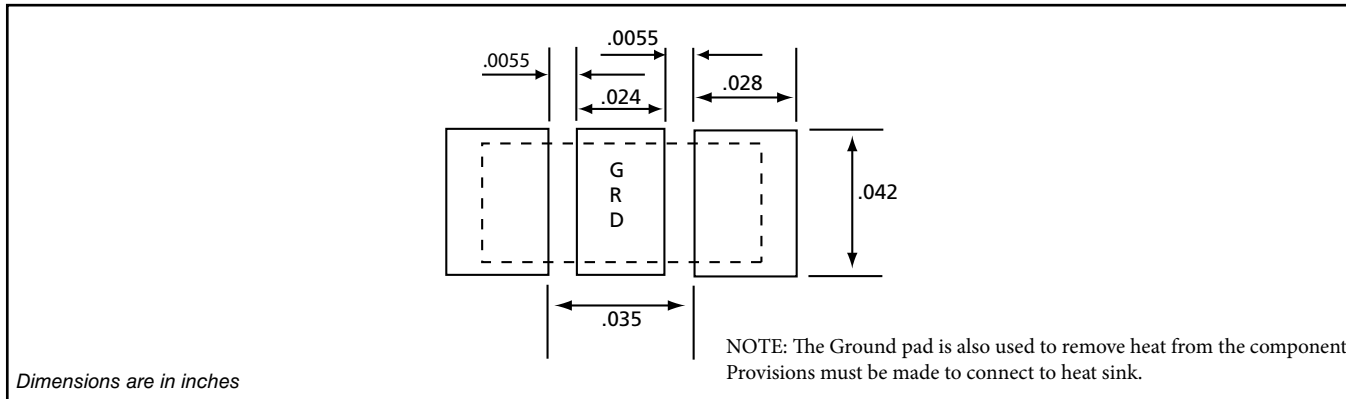
**www.atceramics.com**

# Mechanical Configurations



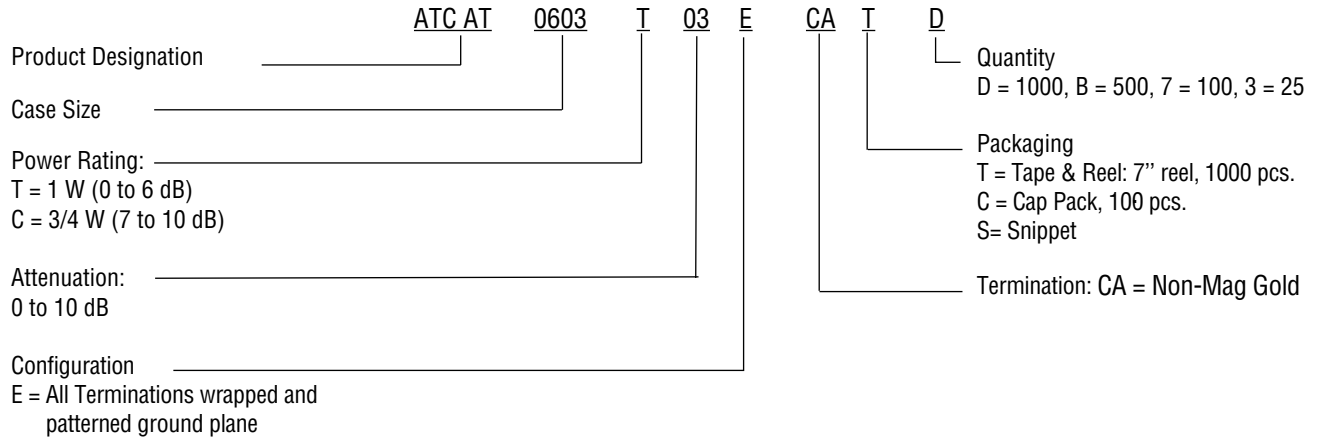
Dimensions are in inches

Part Thickness .020 ± .001 (all values)



Dimensions are in inches

## ATC PART NUMBER CODE



The above part number refers to an ATC AT 0603 Case Size with an attenuation of 3dB, 1W Power Rating, wrapped and patterned ground plane configuration with Non-Mag Gold Termination and tape and reel packaging, 1000 pcs.

ATC accepts orders for our parts using designations *with* or *without* the "ATC" prefix. Both methods of defining the part number are equivalent, i.e., part numbers referenced with the "ATC" prefix are interchangeable to parts referenced without the "ATC" prefix. Customers are free to use either in specifying or procuring parts from American Technical Ceramics.

For additional information and catalogs contact your ATC representative or call direct at (+1-631) 622-4700.

Consult factory for additional performance data.

**A M E R I C A N T E C H N I C A L C E R A M I C S**

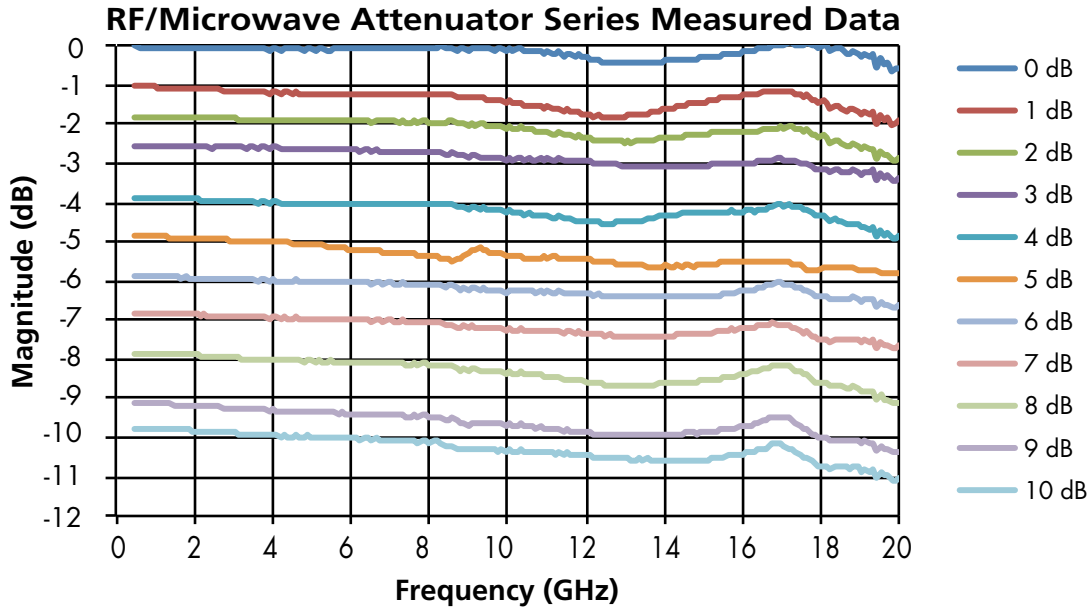
ATC North America  
sales@atceramics.com

ATC Europe  
sales@atceramics.com

ATC Asia  
sales@atceramics-asia.com

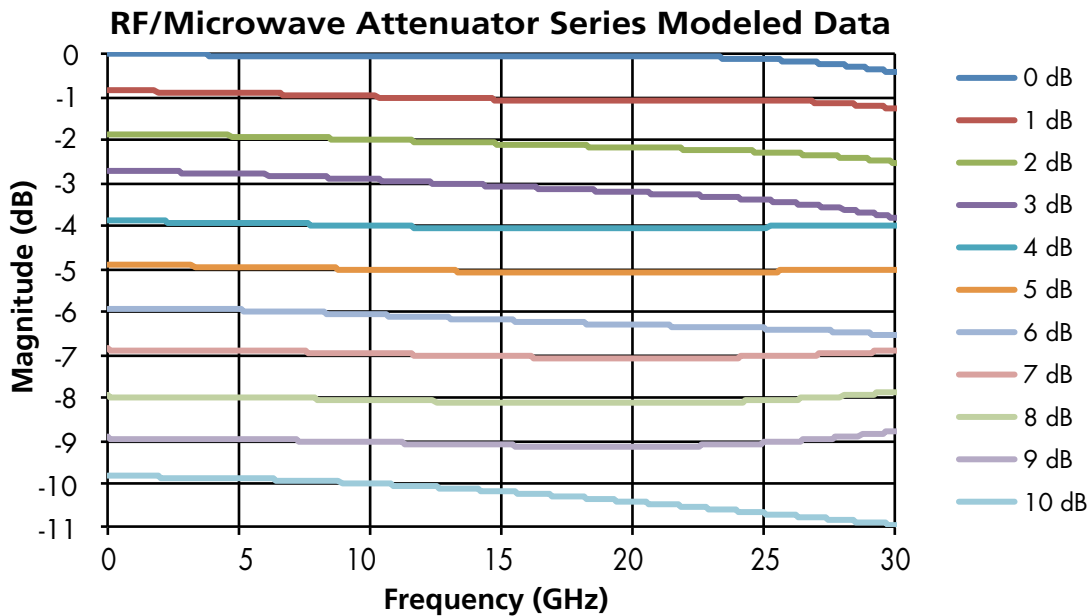
www.atceramics.com

# ATC AT Series 0603 RF/Microwave Attenuator Performance Data



## RF / Microwave Attenuator Test Condition Description

All testing performed on 13.3-mil-thick Rogers RO4350 microstrip board, with the UUT subtending a 44 mil gap in a 30 mil-wide center trace (nominal 50-ohm characteristic impedance). Measurements were made using a four-receiver architecture. Measurements have been de-embedded to the edges of the UUT using a standard TRL calibration procedure.



## RF / Microwave Attenuator Modeled Data Description

Models were simulated using Ansoft HFSS version 14 in a perfect 50 ohm environment with ideal ports placed at the edge of the pads to ground. The boundary condition was set to be a radiating boundary in air.

Sales of ATC products are subject to the terms and conditions contained in American Technical Ceramics Corp. Terms and Conditions of Sale (ATC document #001-992). Copies of these terms and conditions will be provided upon request. They may also be viewed on ATC's website at [www.atceramics.com/productfinder/default.asp](http://www.atceramics.com/productfinder/default.asp). Click on the link for Terms and Conditions of Sale.

ATC has made every effort to have this information as accurate as possible. However, no responsibility is assumed by ATC for its use, nor for any infringements of rights of third parties which may result from its use. ATC reserves the right to revise the content or modify its product without prior notice.

© 2016 American Technical Ceramics Corp. All Rights Reserved

ATC # 001-1149 Rev. C; 9/17

**A M E R I C A N T E C H N I C A L C E R A M I C S**

ATC North America  
sales@atceramics.com

ATC Europe  
saleseur@atceramics.com

ATC Asia  
sales@atceramics-asia.com

[www.atceramics.com](http://www.atceramics.com)