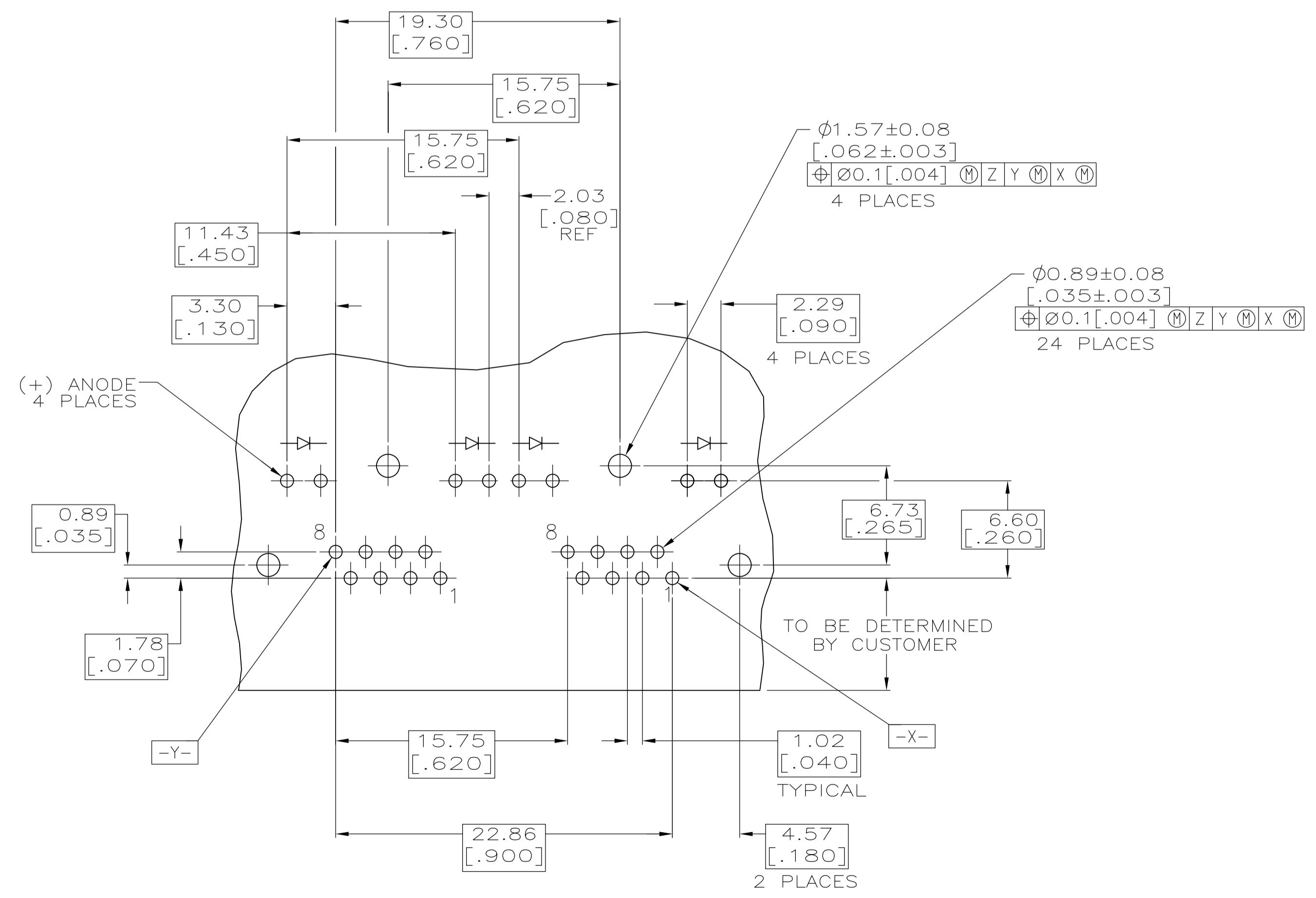
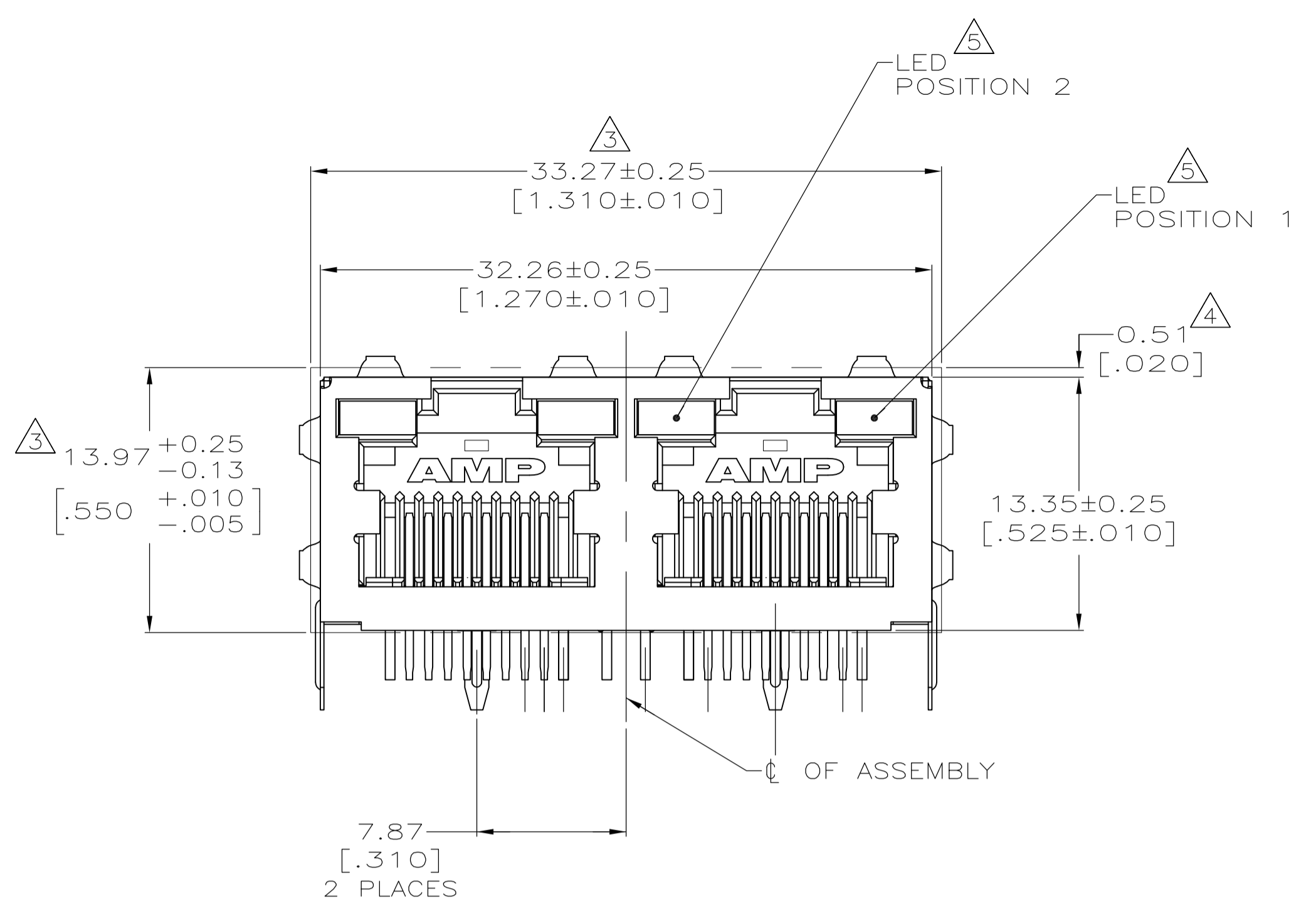
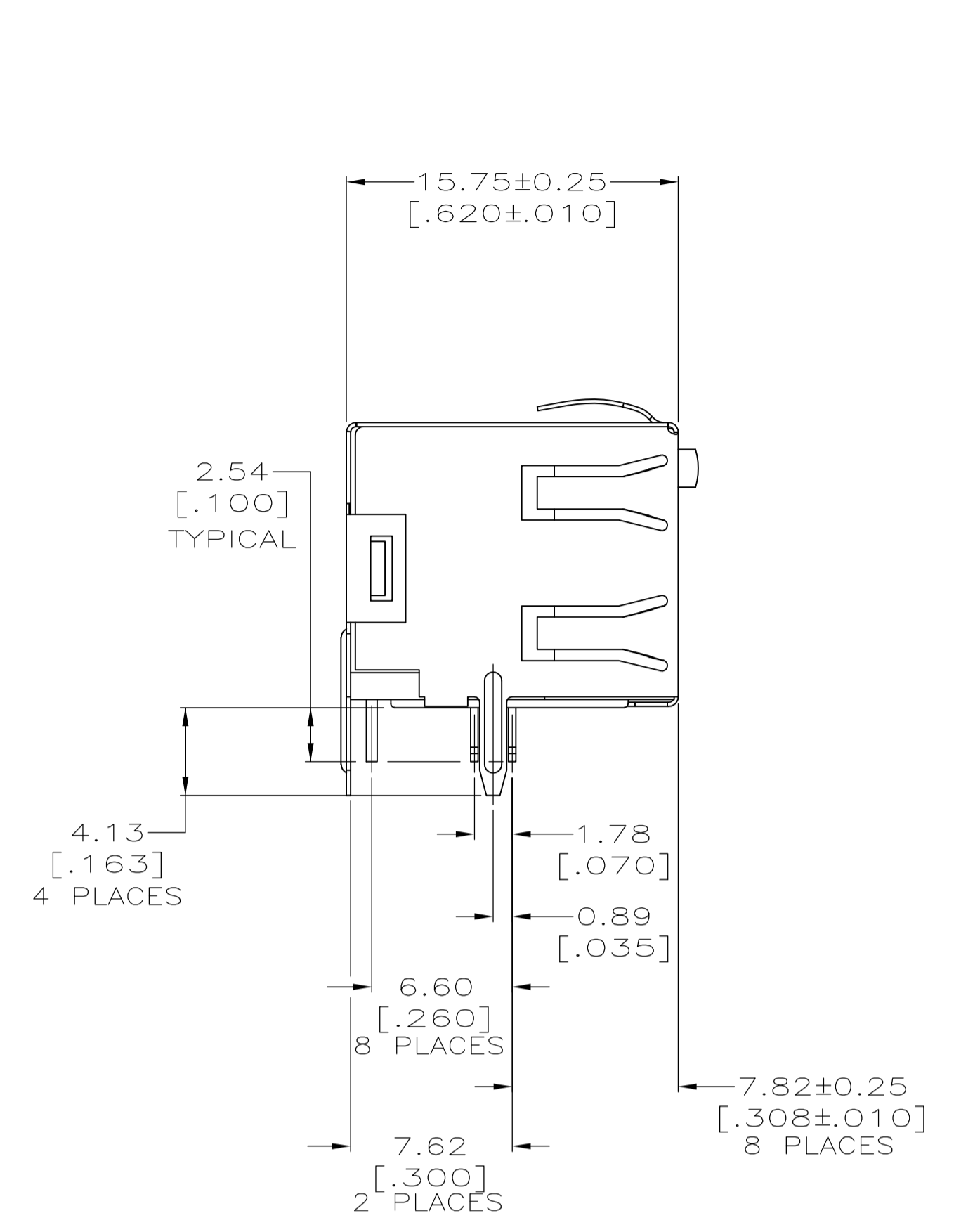


LOC	DIST	REVISIONS			
		REV	DESCRIPTION	DATE	BY
AA	22	A	REV PER EC 0511-0201-04	15JUN2005	LV SF
		A1	REVISED PER ECO-09-024927	10NOV09	KK AEG



- MATERIAL:**
 HOUSING - HIGH TEMPERATURE THERMOPLASTIC, BLACK, UL94V-0.
 TERMINALS - 0.36[.014] THICK PHOS BRONZE PLATED WITH 3.81µm[.000150] MINIMUM THICK MATTE TIN IN SOLDER AREA. 1.27µm [.000050] MINIMUM GOLD IN LOCALIZED PLATE AREA. ENTIRE TERMINAL PLATED WITH 1.27µm [.000050] MINIMUM THICK NICKEL.
 SHIELD - 0.196[.0077] THICK COPPER ZINC ALLOY PREPLATED WITH 1.27µm[.000050] MINIMUM SATIN NICKEL WITH 2.03µm[.000080] MINIMUM HOT TIN DIP ON PCB GROUND TABS.
 LIGHT EMITTING DIODE (LED) - DIFFUSED EPOXY LENS, 0.51 x 0.51[.020 x .020] CARBON STEEL WIREFRAME LEADS PREPLATED WITH 8.89 µm[.0003500] THICK Sn/Cu OVER 2.03 µm[.000080] THICK Ag OVER 1.02µm[.000040] THICK Cu OVER 3.56 µm[.000140] THICK Ni OVER 1.02µm[.000040] Cu UNDERPLATE
- JACK CAVITY CONFORMS TO FCC RULES AND REGULATIONS PART 68, SUBPART F.
 - SUGGESTED PANEL OPENING DIMENSIONS.
 - SUGGESTED CLEARANCE BETWEEN TOP OF CONNECTOR AND TOP PANEL OPENING.
 - SEE TABLE FOR COLOR OF LEDS AND NUMBER REQUIRED.
 - THIS MODULAR JACK WITH INTEGRATED LED IS NOT IR REFLOW SOLDERING PROCESS COMPATIBLE.
 - OBSOLETE PARTS: OBSOLETE CIS STREAMLINING PER D.RENAUD/D.SINISI

INDICATOR COLOR FOR EACH HOUSING	POSITION 1	POSITION 2	PART NUMBER
GREEN	GREEN	GREEN	6364173-5
YELLOW	GREEN	GREEN	-6364173-1

SUGGESTED PRINTED CIRCUIT BOARD LAYOUT
 (COMPONENT SIDE)

THIS DRAWING IS A CONTROLLED DOCUMENT.

DIMENSIONS: mm [INCHES]	TOLERANCES UNLESS OTHERWISE SPECIFIED:	0 PLC ± -	1 PLC ± -	2 PLC ± 0.25[.01]	3 PLC ± 0.13[.005]	4 PLC ± -	ANGLES ± -
-------------------------	--	-----------	-----------	-------------------	--------------------	-----------	------------

APPROVED: J. WESTMAN	DATE: 15JUN2005	BY: S. FLICKINGER	DATE: 15JUN2005
NAME: J. VARELA - DOCKS	DATE: 15JUN2005	NAME: S. FLICKINGER	DATE: 15JUN2005
PRODUCT SPEC: 108-1163-4	APPLICATION SPEC: 114-2154	SIZE: A1	SCALE: 1:1
WEIGHT: -	CAGE CODE: -	DRAWING NO: 6364173	RESTRICTED TO: -
CUSTOMER DRAWING	SCALE: 1:1	SHEET: 1 OF 1	REV: A1

Tyco Electronics Corporation
 Harrisburg, Pa 17105-3608

INVERTED MODULAR JACK ASSEMBLY,
 1X2, PANEL GROUND, SHIELDED,
 NO MOUNTING LEGS, WITH LEDS