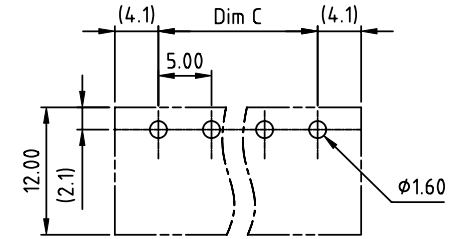
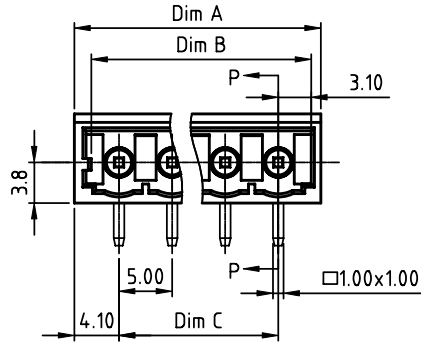
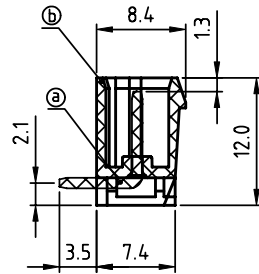
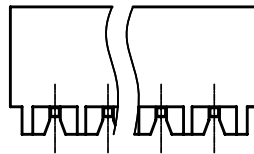


PRODUCT NUMBER	PITCH
NCxx71x100J0G	5.00 mm



RECOMMENDED P.C.B LAYOUT  
TOP VIEW



SECTION P-P

Material:

- Item Ⓐ Male contact pin: Copper Tin plated
  - Item Ⓑ Terminal(housing): Thermoplastic (UL94V-0)
- Electrical: cULus
- Voltage rating: 300V
  - Current rating: 8A
  - Withstanding Voltage: 1.6 KV
  - Operating temperature: -40°C to +115°C
  - Soldering temperature: 260°C±5°C/5 Sec
  - Safety Approval: cULus

N = Number of poles  
 Dim A=Nx5.0+3.2  
 Dim B=Nx5.0+0.7  
 Dim C=(N-1)x5.0

poles	Dim A	Dim B	Dim C
2-6p	±0.20	+0.15 -0	±0.20
6-12p	±0.30	+0.3 -0	±0.30
12-24p	±0.40	+0.4 -0	±0.40

PART NO.: NC xx 7 1 x 1 00J0 G

- |              |          |                     |  |
|--------------|----------|---------------------|--|
| Solid block  | 0        | Black (RAL9005)     | RoHS compliant<br>(lead<4%)<br>In copper Alloy |
| No. of poles | 2        | Red (RAL3001/D)     |  |
| 02           | 2 poles  | 3 Orange(RAL2011/P) |  |
| 03           | 3 poles  | 4 Yellow(RAL1018/A) |  |
| ...          | ...      | 5 Green(RAL6018/T)  |  |
| 24           | 24 poles | 6 Blue (RAL5015/A)  |  |
|              |          | 8 Grey(RAL7035/D)   |  |
|              |          | 9 White(RAL1102)    |  |
|              |          | C Green(RAL6018/U)  |  |

mat'l. code		surface ASME Y14.5	tolerance ASME Y14.5	projection	product family TERMINAL BLOCK	
ltr	ecn no	dr	date	 MM	title TERMINAL BLOCK PLUGGABLE SOCKET,RIGHT ANGLE	
tolerances unless otherwise specified						scale
angles		X.±0.5			dwg no NCxx71x100J0G sheet 1 of 1 size A4	
X*±1*		X.XX±0.1				
dr	ENGR	chr	appd			type CUSTOMER Drawing
EVIN ZHONG	042314	HANKE FENG	SHI JUN			
EVIN ZHONG	042314	HANKE FENG	SHI JUN			
HANKE FENG	042314	SHI JUN	042314			
sheet index	revision sheet	A	1			