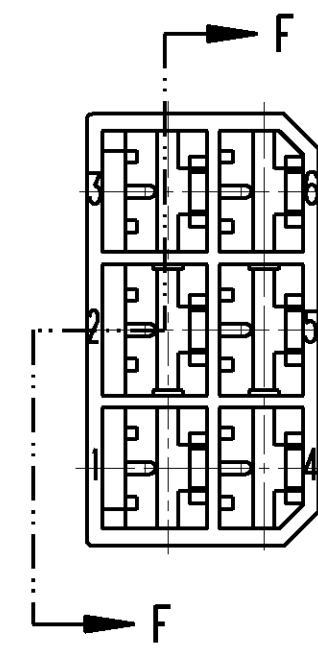
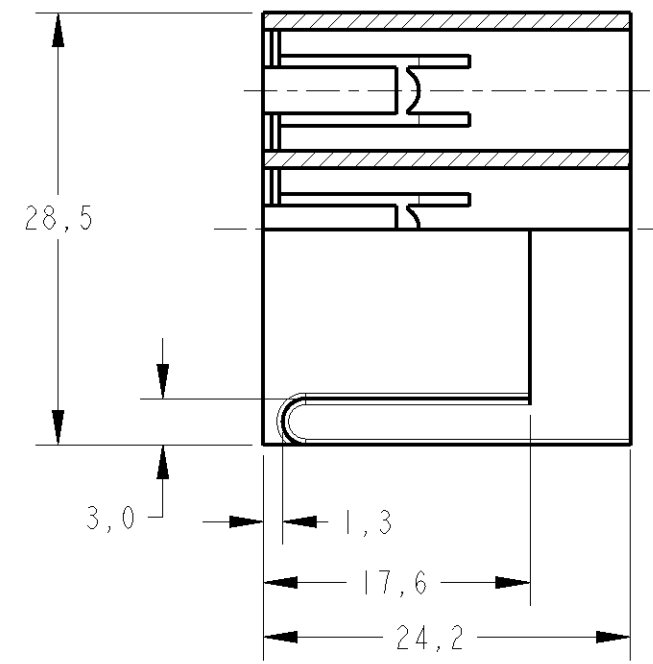
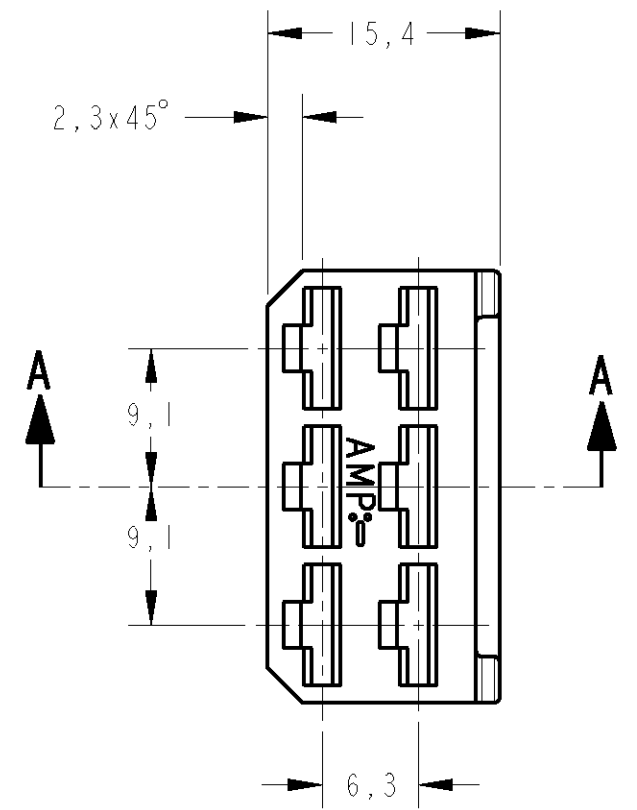


THIS DRAWING IS UNPUBLISHED. RELEASED FOR PUBLICATION 20
 © COPYRIGHT 20 BY - ALL RIGHTS RESERVED.

LOC	DIST	REVISIONS			
P	LTR	DESCRIPTION	DATE	DWN	APVD
AP	-	F3	REVISED PER ECO-11-005139	19MAR11	RK HMR

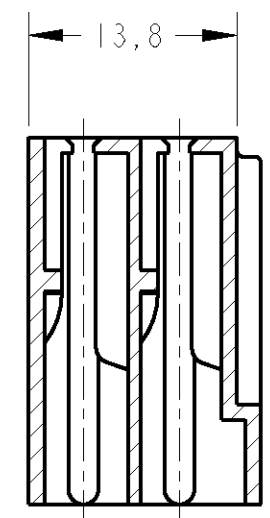


CORTE SECTION F-F

1-INTERCAMBIÁVEL COM PN. 280314 1-INTERCHANGEABLE WITH PN. 280314.

2 -MATÉRIA PRIMA CONFORME ESPECIFICAÇÃO IEC 60335-1, GWT 750°C, SEM CHAMA. RAW MATERIAL ACC. TO SPEC. IEC 60335-1, GWT 750°C, WITHOUT FLAME.

3 OBSOLETE PARTS: OBSOLETE CIS STREAMLINING PER D.RENAUD/D.SINISI



CORTE SECTION A-A

3	OBSOLETE	FINISH	MATERIAL	PART NUMBER
		CINZA / GRAY	PA 6.6	880297-3
	PRETO / BLACK	PA 6.6	880297-2	
	NATURAL	2 PA 6.6 V-0	2-880297-0	
	NATURAL	PA 6.6	880297-1	

DIMENSIONS: mm 		TOLERANCES UNLESS OTHERWISE SPECIFIED: 0 PLC ±- 1 PLC ±0,3 2 PLC ±- 3 PLC ±- 4 PLC ±- ANGLES ±°		DWN M.R.BRIZ 01APR2004 CHK P.L.FARIA 01APR2004 APVD I.W.PRADO 01APR2004		TE Connectivity	
MATERIAL SEE TABLE		FINISH SEE TABLE		PRODUCT SPEC - APPLICATION SPEC - WEIGHT -		NAME 6 WAY .250 FAST-IN-ON REC. HSG. SIZE A3 CAGE CODE 00779 DRAWING NO C-880297 RESTRICTED TO -	
CUSTOMER DRAWING				SCALE 2:1		SHEET 1 OF 1 REV F3	