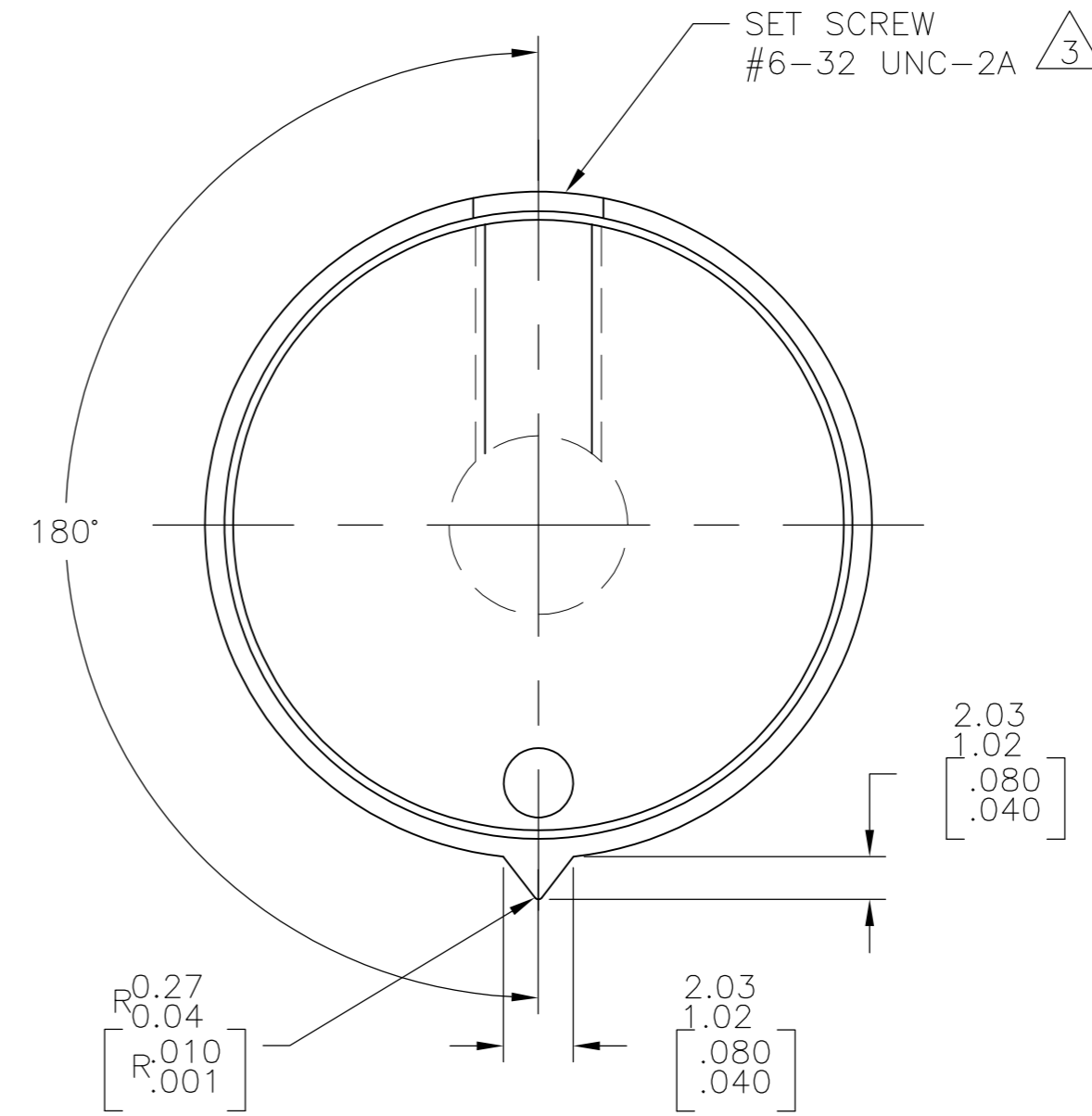
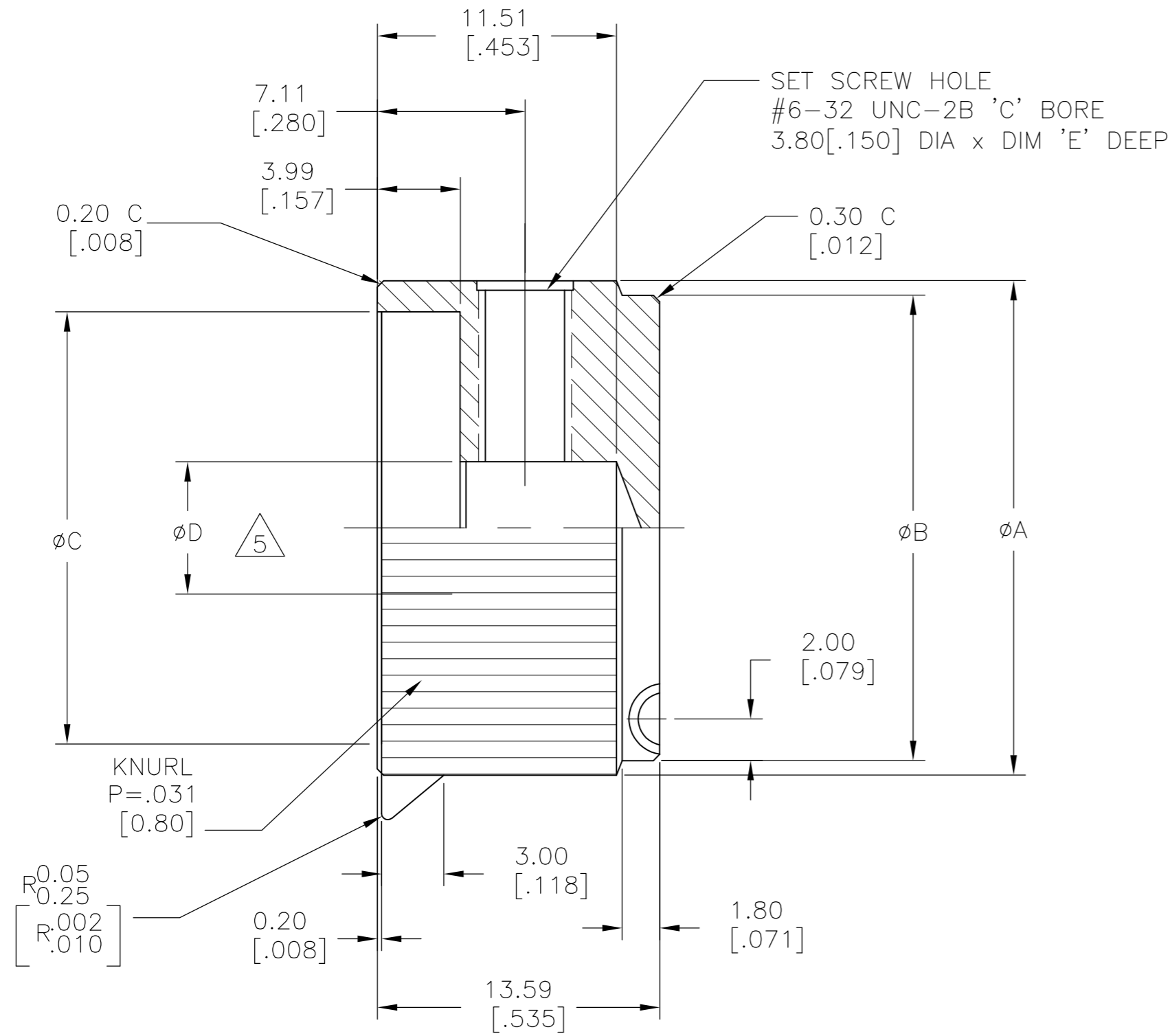


THIS DRAWING IS UNPUBLISHED. RELEASED FOR PUBLICATION
 © COPYRIGHT BY TYCO ELECTRONICS CORPORATION. ALL INTERNATIONAL RIGHTS RESERVED.

LOC		DIST		REVISIONS			
P	LTR	DESCRIPTION		DATE	DWN	APVD	
	A	REDRAWN PER ECO-08-031330		17DEC08	HMR	MW	

- 1 PARTS TO BE CLEAN AND DRY WHEN RECEIVED
- 2 BURRS CAUSED BY TAPPING MUST NOT INTERFERE WITH SHAFT INSERTION TO FULL SHAFT DEPTH, NOR ARE BURRS ALLOWED ABOVE OUTER SURFACES.
- 3 1 STAINLESS STEEL SOCKET SET SCREWS
- 4 KNOB 5056S ALUMINUM ALLOY, COLOR SEE TABLE
- 5 SHAFT HOLE TOLERANCE $+0.003/-0.000$



BLACK	0.079 [2.00]	0.251 [6.38]	0.819 [20.80]	0.882 [22.40]	0.937 [23.80]	KNP900B1/4	7-1437622-1
CLEAR	0.059 [1.50]	0.251 [6.38]	0.622 [15.80]	0.685 [17.40]	0.740 [18.80]	KNP700A1/4	7-1437622-0
ANODIZE	E	D	C	B	A	MODEL NO	PART NUMBER

THIS DRAWING IS A CONTROLLED DOCUMENT.		DWN 17DEC08 RAGHAVENDRA	Tyco Electronics Corporation Harrisburg, PA 17105-3608	
DIMENSIONS: mm [INCHES]		CHK 17DEC08 WILBOURN M	NAME ALUMINUM KNOB (KNP SERIES)	
TOLERANCES UNLESS OTHERWISE SPECIFIED:		APVD 17DEC08 WILBOURN M	SIZE A2	
0 PLC ± -		PRODUCT SPEC	CAGE CODE 00779	DRAWING NO 7-1437622-0
1 PLC ± -		APPLICATION SPEC	RESTRICTED TO	
2 PLC ± -			SCALE 4:1	
3 PLC ± .015			SHEET 1 of 1	
4 PLC ± -			REV A	
ANGLES ± 3°				
MATERIAL 4	FINISH -	WEIGHT -	CUSTOMER DRAWING	