

4

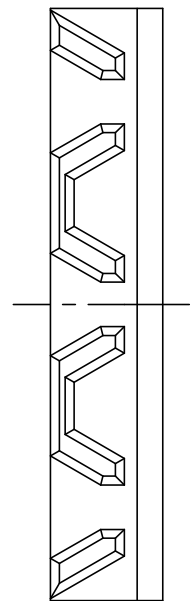
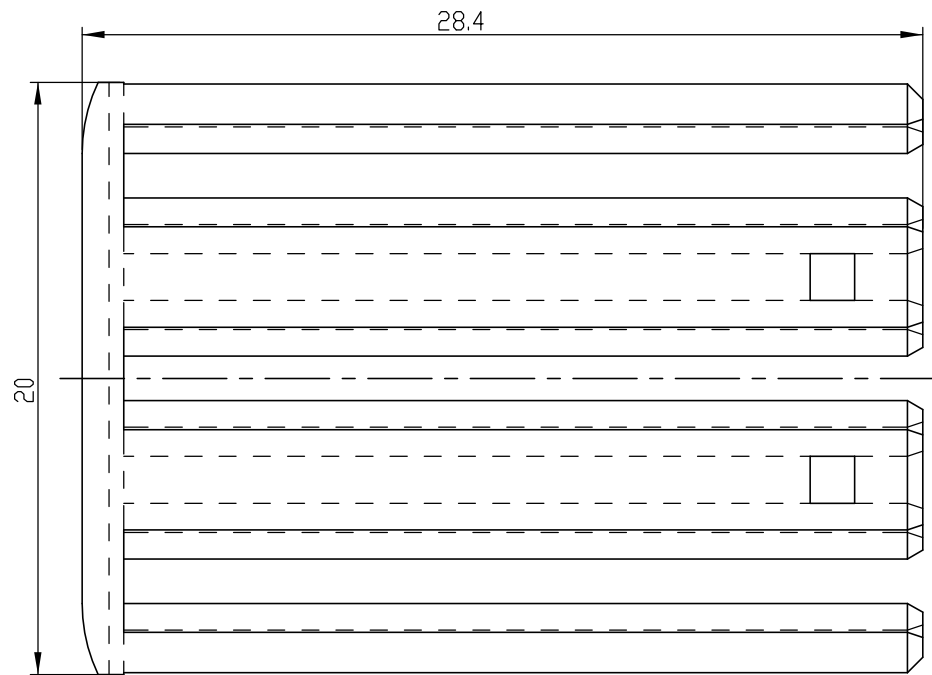
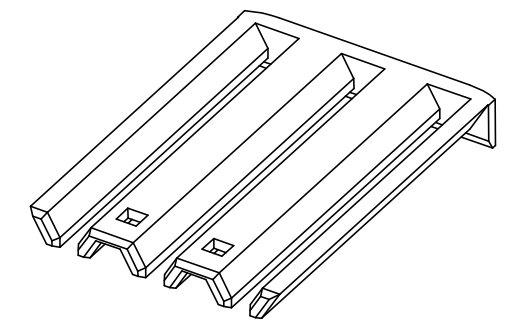
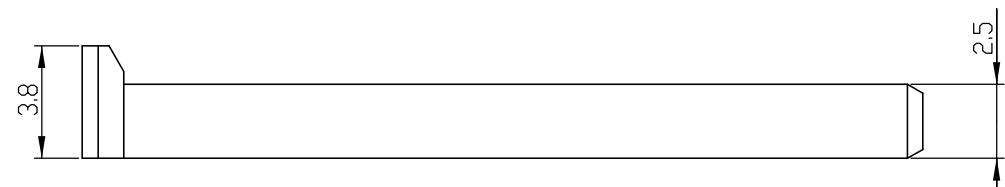
3

2

1

THIS DRAWING IS UNPUBLISHED. RELEASED FOR PUBLICATION
© COPYRIGHT BY TYCO ELECTRONICS CORPORATION. ALL RIGHTS RESERVED.

LOC	DIST	REVISIONS					
		P	LTR	DESCRIPTION	DATE	DWN	APVD
DS	—		A	RELEASED	07.FEB'11	YH	HG



NOTE.
 1.MATING CONN'R ASSY P/N: 2005217, 2005210
 2.APPLICATION TEST SPEC:
 MS210-12[EXT-2](EXCEPT 4.4)

WINE RED /RAL3005	PA66-GF30	RETAINER HSG	2005216-6
COLOR	MATERIAL	DESCRIPTION	P/N

THIS DRAWING IS A CONTROLLED DOCUMENT FOR TYCO ELECTRONICS CORPORATION IT IS SUBJECT TO CHANGE AND THE CONTROLLING ENGINEERING ORGANIZATION SHOULD BE CONTACTED FOR THE LATEST REVISION.		DWN YH MA		Tyco Electronics AMP KOREA kyungsan, korea	
DIMENSIONS: MM		CHK KT LIM			
TOLERANCES UNLESS OTHERWISE SPECIFIED:		APVD HG CHD		NAME	
0 PLC ± 1 PLC ± DECIMALS: ±0.5 2 PLC ± ANGLES: ±3° 3 PLC ± 4 PLC ± ANGLES ±		PRODUCT SPEC		MCP RETAINER HSG FOR TCU PLUG ASS'Y	
3rd ANGLE PROJECTION		APPLICATION SPEC		RESTRICTED TO	
MATERIAL		WEIGHT		SIZE CAGE CODE DRAWING NO	
FINISH		CUSTOMER DRAWING		A3 00779 © 2005216	
		SCALE 4:1		SHEET 1 OF 1 REV A	