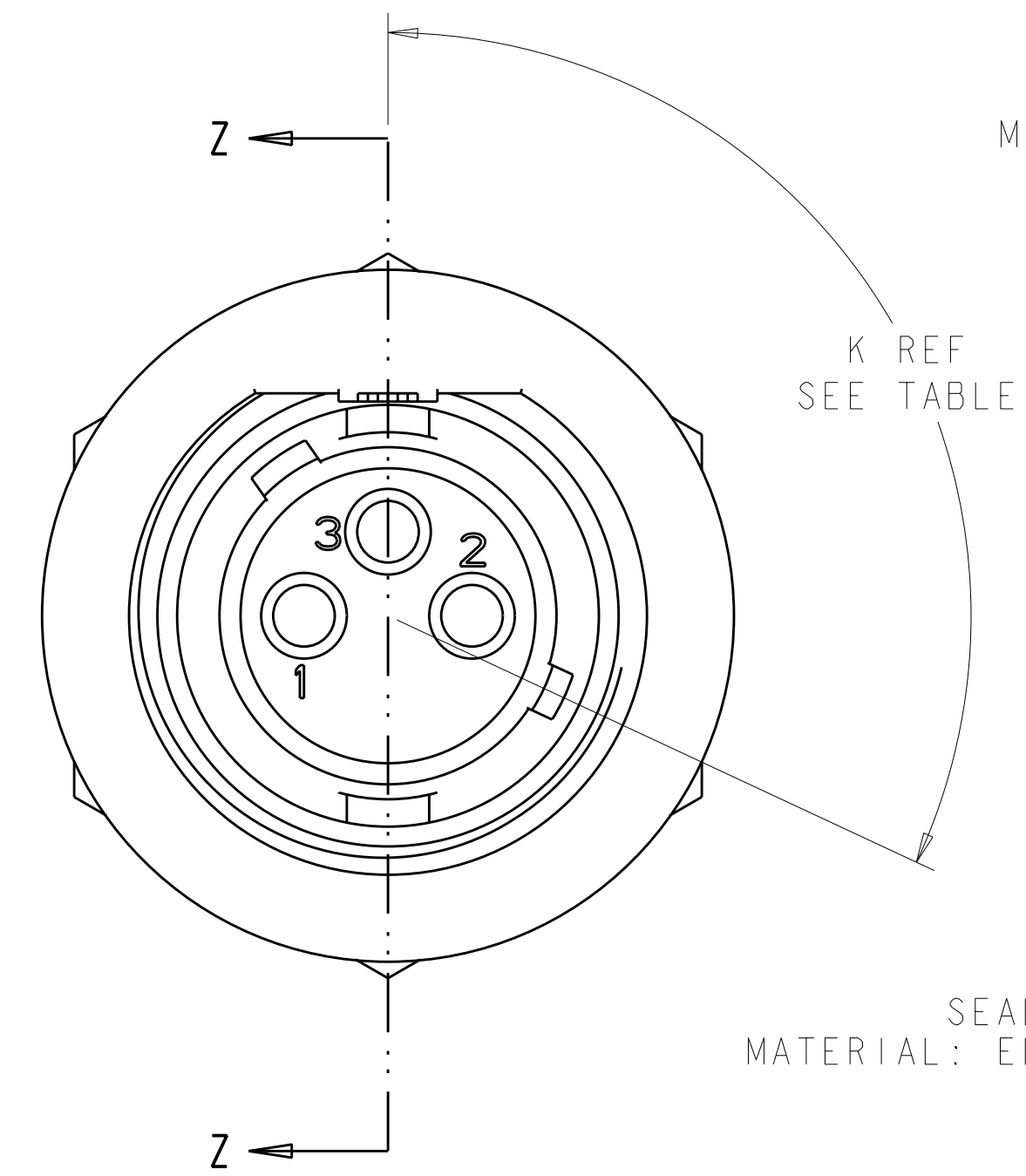
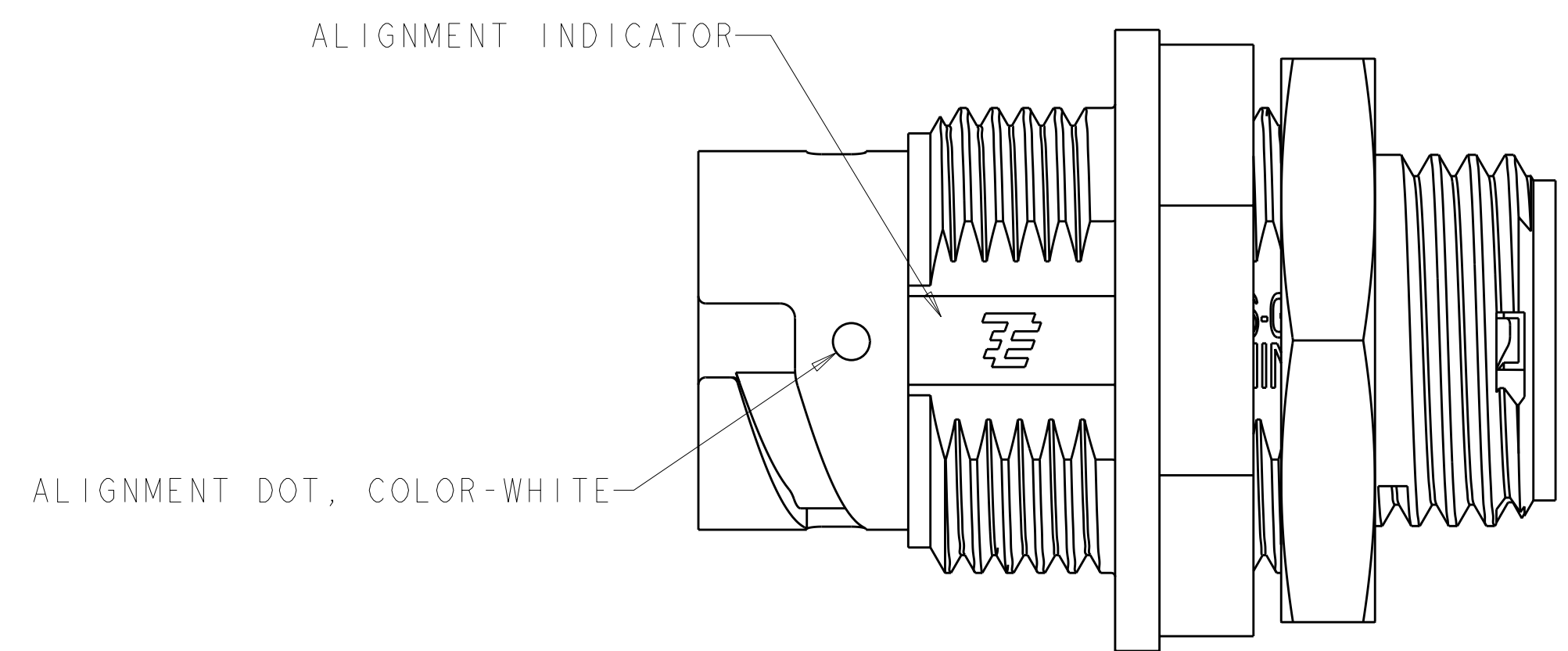
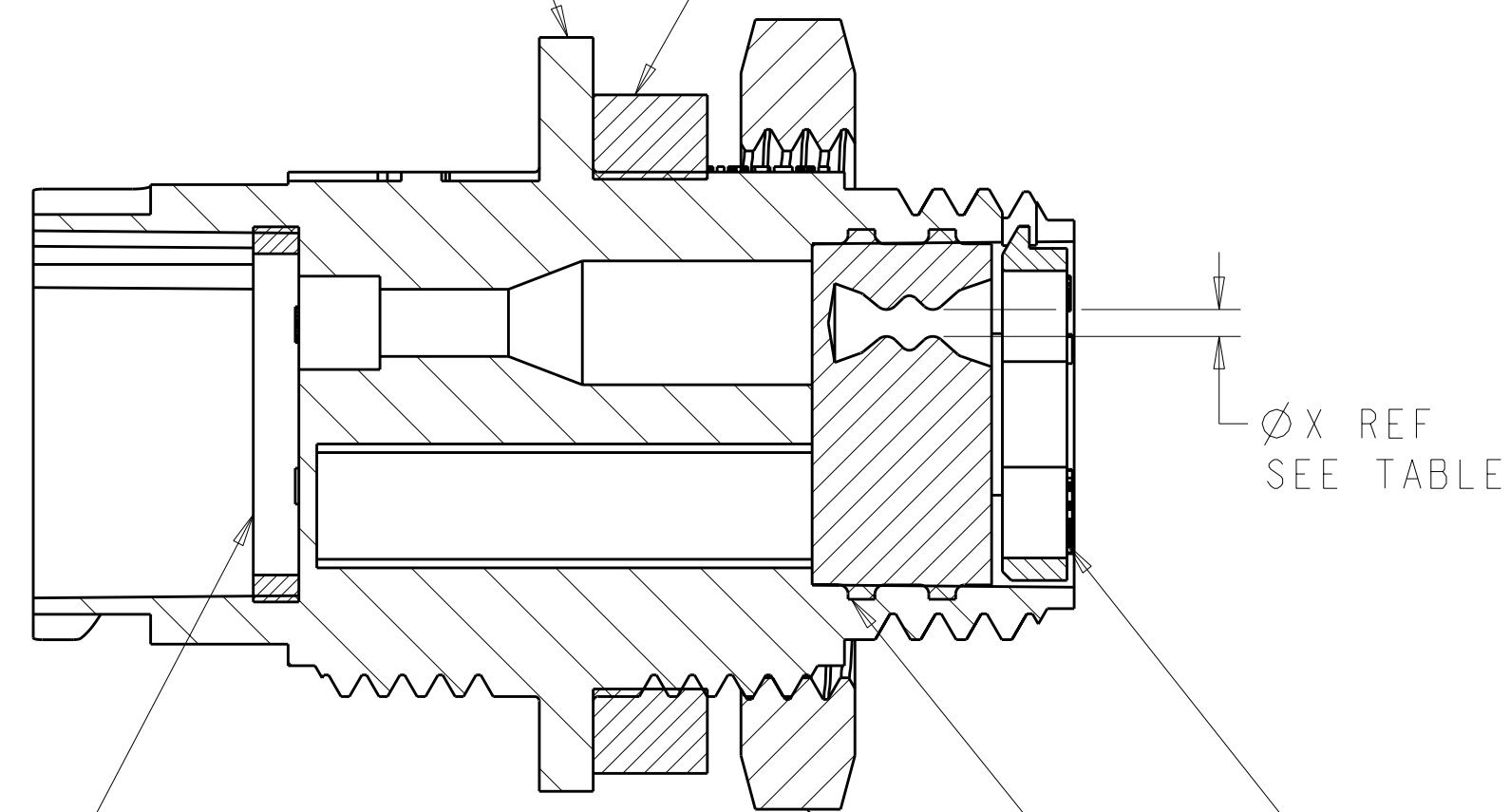


LOC	DIST	REV	DATE	BY	APP'D
FT	0	B2	19OCT2010	HMR	MG



HOUSING, RECEPTACLE, QTY-1  
 MATERIAL: THERMOPLASTIC, COLOR-BLACK

SEAL, PANEL; SHOWN FOR REFERENCE ONLY, TO BE ORDERED SEPARATELY, PART #1445420-01.

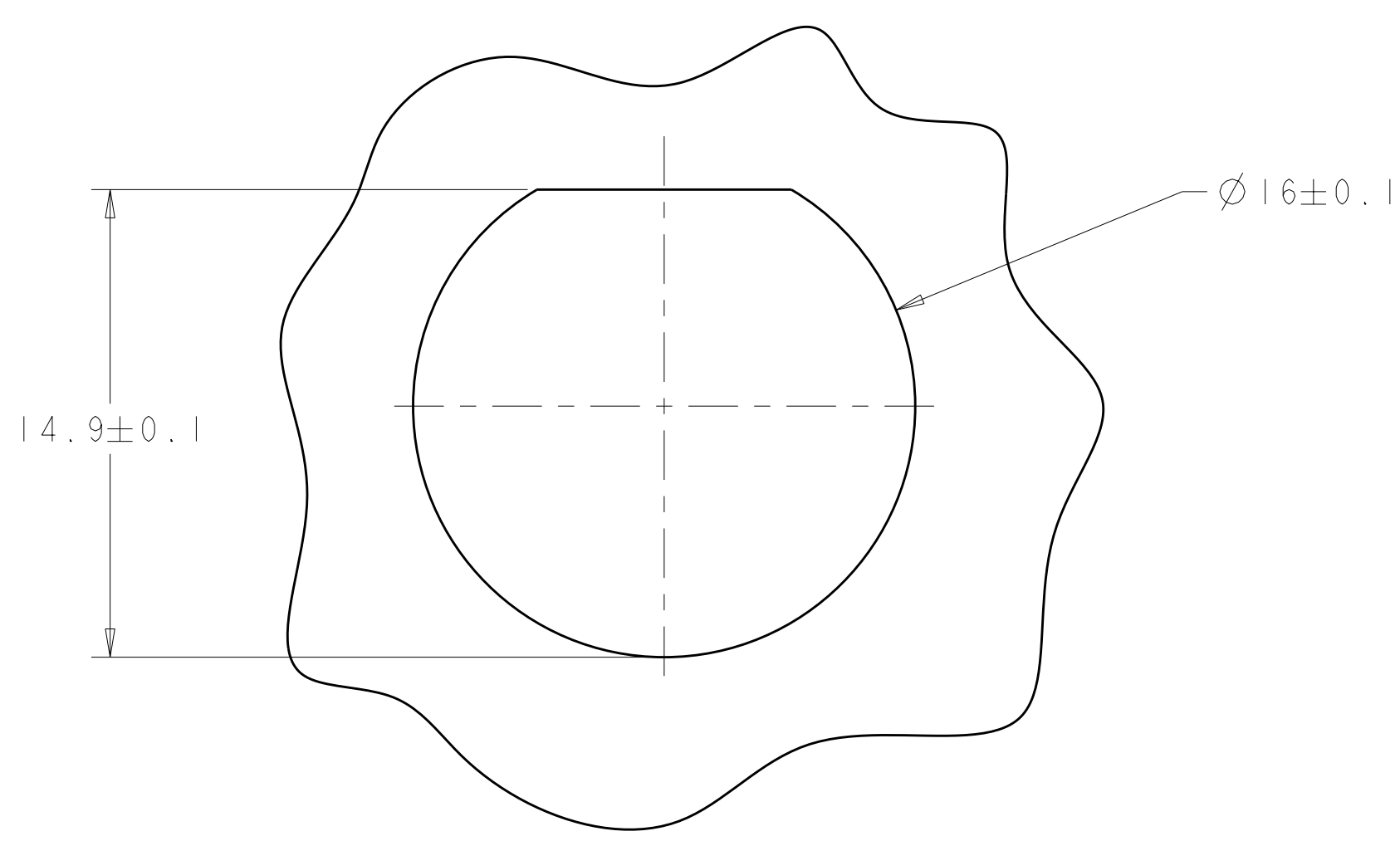
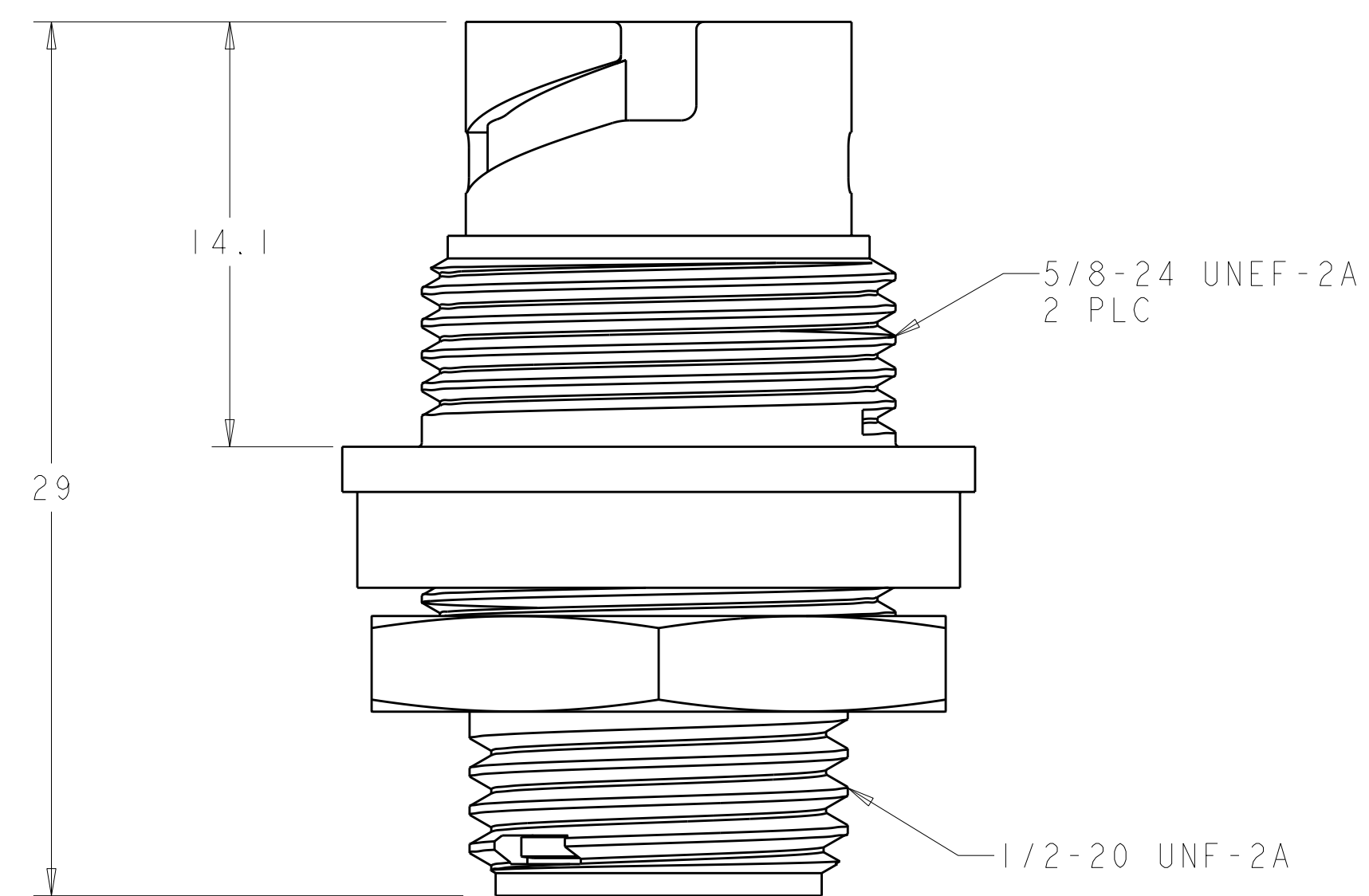
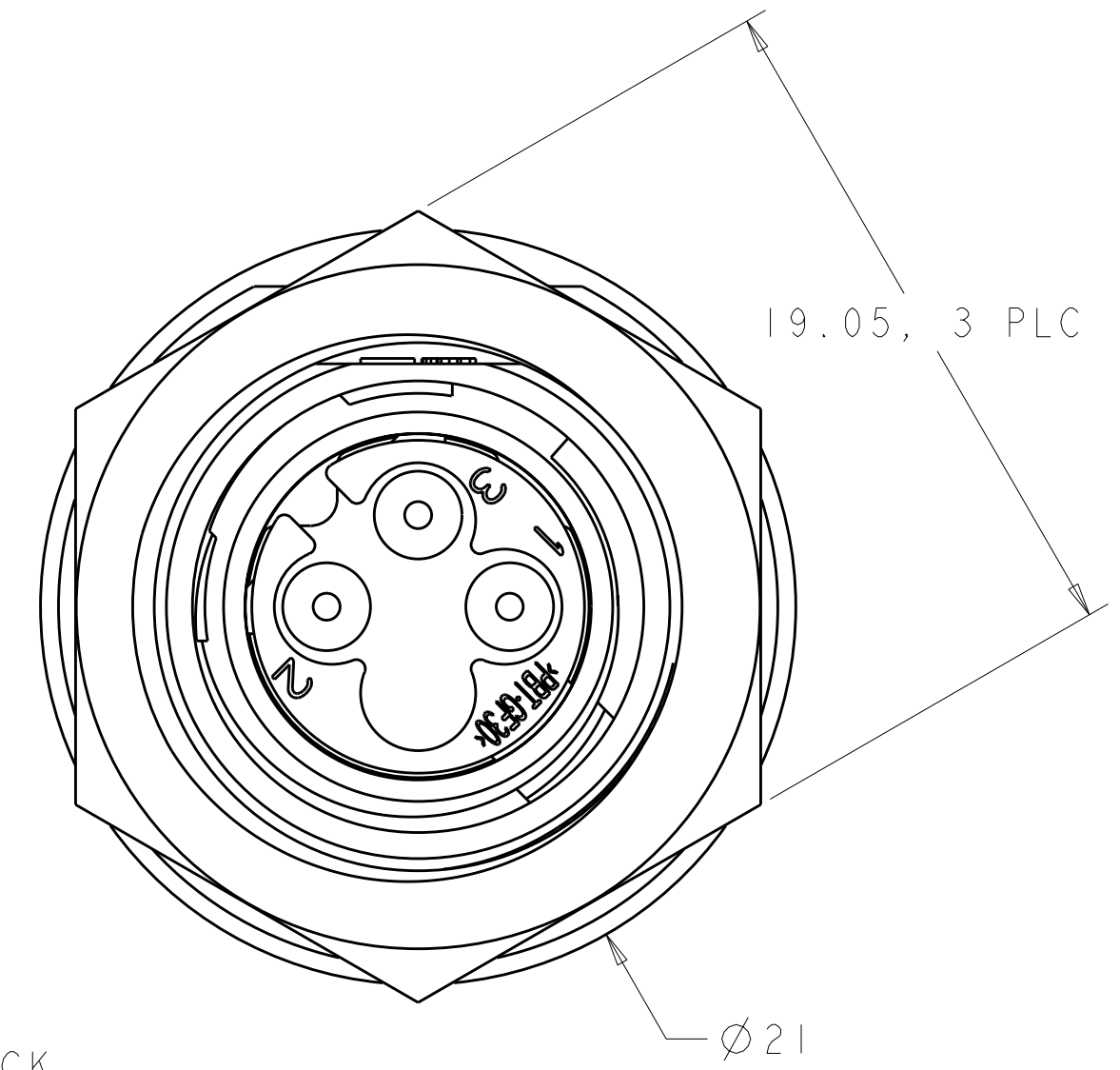


SEAL, PERIPHERAL, QTY-1  
 MATERIAL: ELASTOMER, COLOR-GRAY

PLATE, SEAL, RETENTION, QTY-1  
 MATERIAL: THERMOPLASTIC, COLOR-BLACK

SEAL, WIRE ENTRY, QTY-1  
 MATERIAL: ELASTOMER, COLOR-SEE TABLE

JAM NUT, SHOWN FOR REFERENCE ONLY, TO BE ORDERED SEPARATELY, PART # 1604196-1



SUGGESTED PANEL CUTOUT

- 1. CONNECTOR CAN BE FRONT OR REAR PANEL MOUNTED.
- 2. MAX PANEL THICKNESS - 3.18
- 3. PRELIMINARY - NOT FOR PRODUCTION

## QUALIFICATION TEST PENDING

RED	NATURAL	Ø 1.5	115°	1445537-05
BLACK	YELLOW	Ø 0.75	130°	1445537-04
BLACK	NATURAL	Ø 1.5	115°	1445537-03
BLACK	NATURAL	Ø 1.5	130°	1445537-02
BLACK	YELLOW	Ø 0.75	115°	1445537-01
HOUSING COLOR	SEAL, WIRE ENTRY COLOR	Ø X REF	K REF	PART NUMBER

DIMENSIONS: mm 		TOLERANCES UNLESS OTHERWISE SPECIFIED: 9 PLC ±0.5 3 PLC ±0.13 5 PLC ±0.013 4 PLC ±0.001 ANGLES ±0.001		DWN: S. WIEST 07MAY2001 CHK: G. DOUTY 07MAY2001 APVD: H. WAKEEM 13JUN2003		Tyco Electronics Harrisburg, PA 17105-3608	
MATERIAL: - FINISH: -		WEIGHT: -		NAME: ASSEMBLY, RECEPTACLE, SIZE 8, 3 POSITION, PANEL MOUNT, MINI CPC		SIZE: A11 00779 C=1445537 SCALE: 5:1 SHEET 1 OF 1 REV B2	
CUSTOMER DRAWING				RESTRICTED TO			