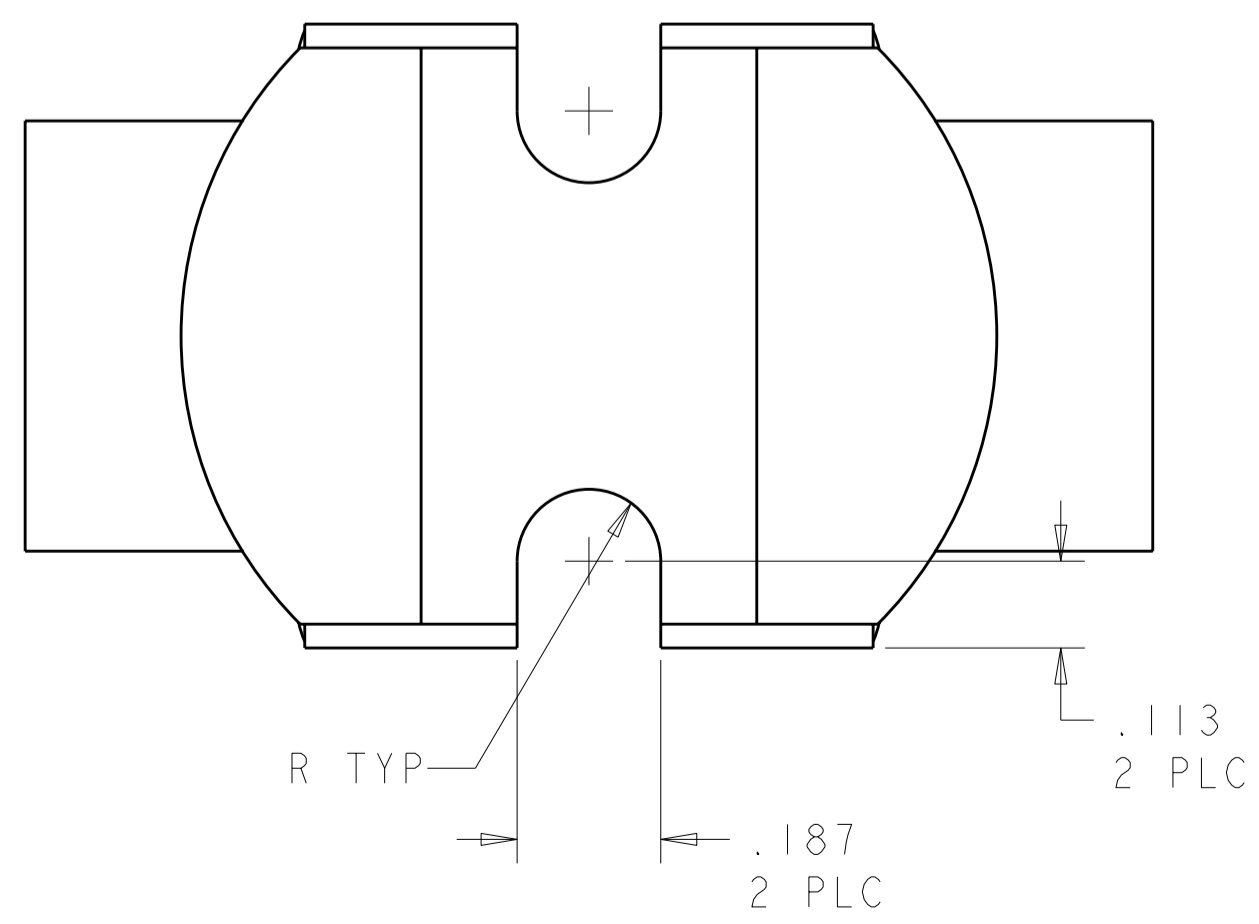
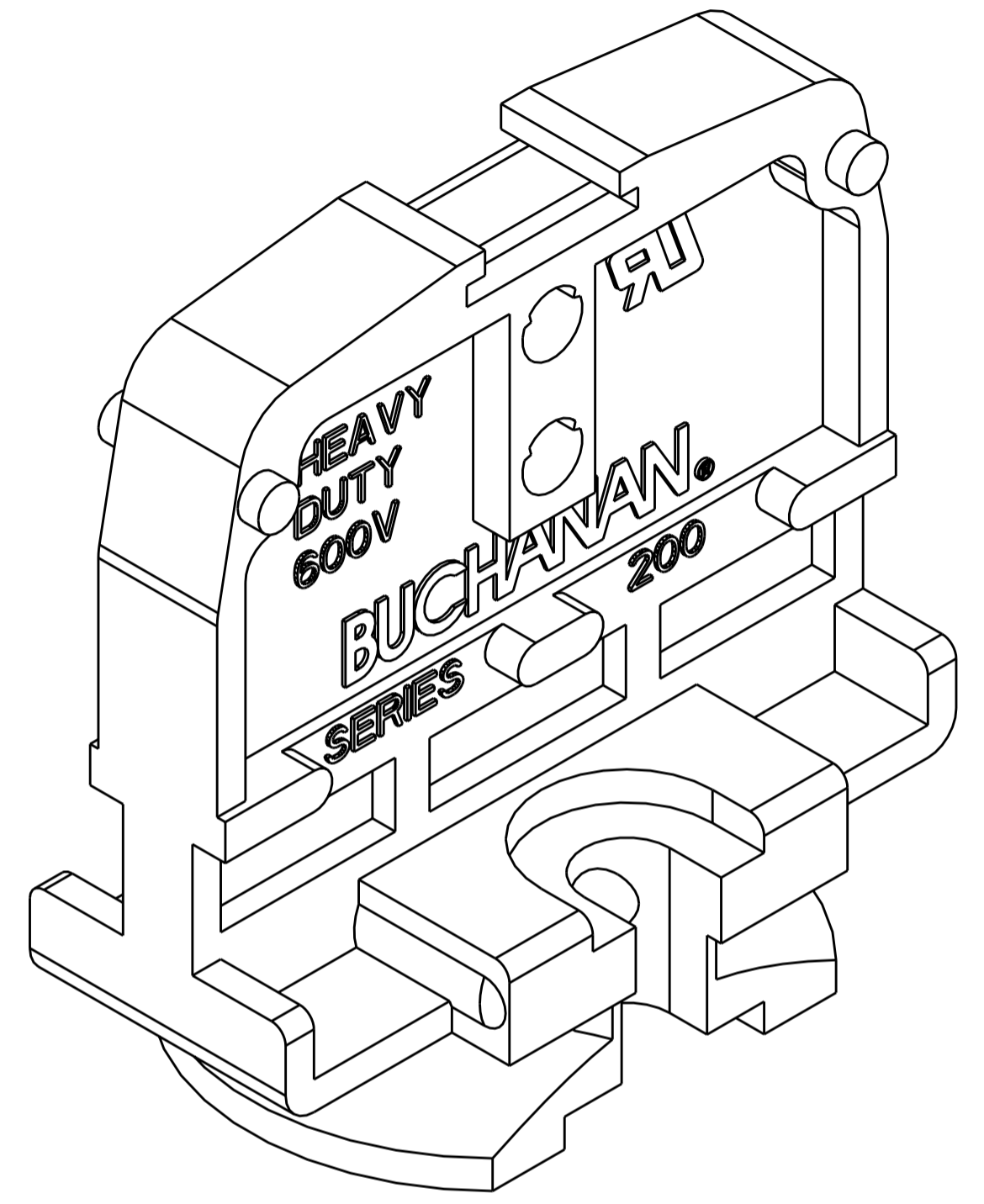
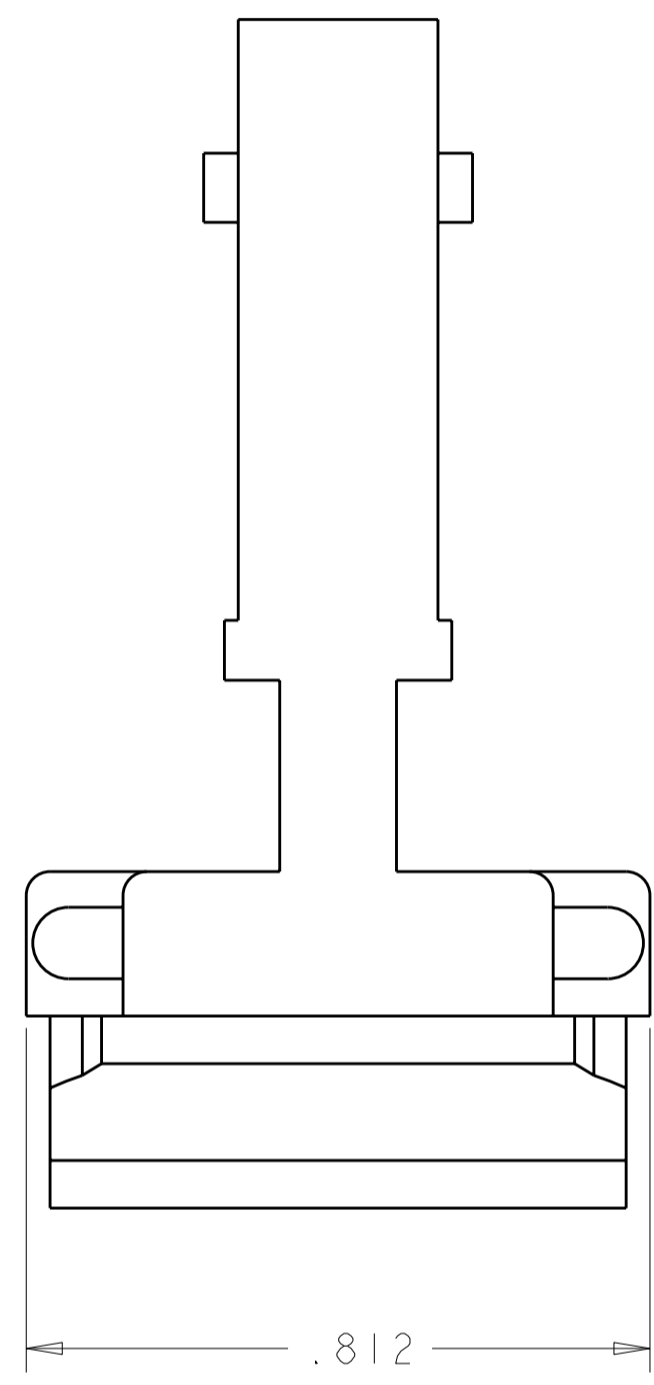
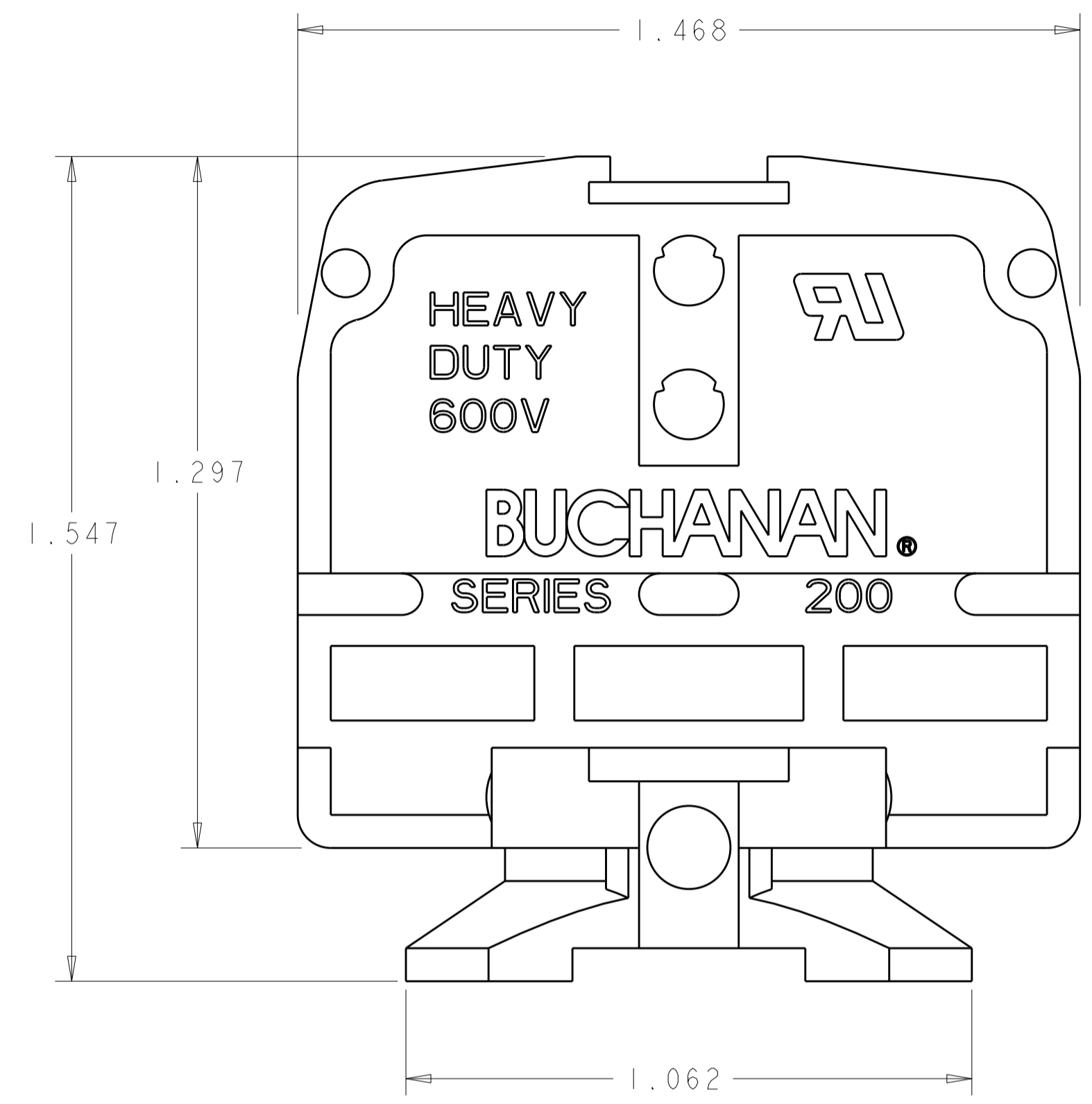


LOC		DIST		REVISIONS			
P	LTR	DESCRIPTION	DATE	DWN	APVD		
	J	REVISED ECO-05-015239	30JAN2006	SW	SY		
	JI	REVISED ECO-06-012256	25MAY2006	SW	SY		
	K	REVISED PER ECO-08-015972	30JUN2008	HMR	FD		



1. PHENOLIC, UL 94V-1 RATED, COLOR: BLACK.

1-1437390-4
 PART NUMBER

<small>THIS DRAWING IS A CONTROLLED DOCUMENT FOR TYCO ELECTRONICS CORPORATION. IT IS SUBJECT TO CHANGE AND THE CONTROLLING ENGINEERING ORGANIZATION SHOULD BE CONTACTED FOR THE LATEST REVISION.</small>		DWN S. WELDON 30JAN2006 CHK S. YODER 30JAN2006 APVD S. YODER 30JAN2006	Tyco Electronics Harrisburg, PA 17105-3608
DIMENSIONS: INCHES	TOLERANCES UNLESS OTHERWISE SPECIFIED: 0 PLC ± 1 PLC ±0.0 2 PLC ±0.00 3 PLC ±0.010 4 PLC ±0.0000 ANGLES ± FINISH	PRODUCT SPEC APPLICATION SPEC	NAME END MOUNTING SECTION HEAVY DUTY, DOVETAIL BASE
MATERIAL		WEIGHT	SIZE CAGE CODE DRAWING NO RESTRICTED TO A200779C-1447855 -
CUSTOMER DRAWING		SCALE 4:1	SHEET 1 OF 1 REV K