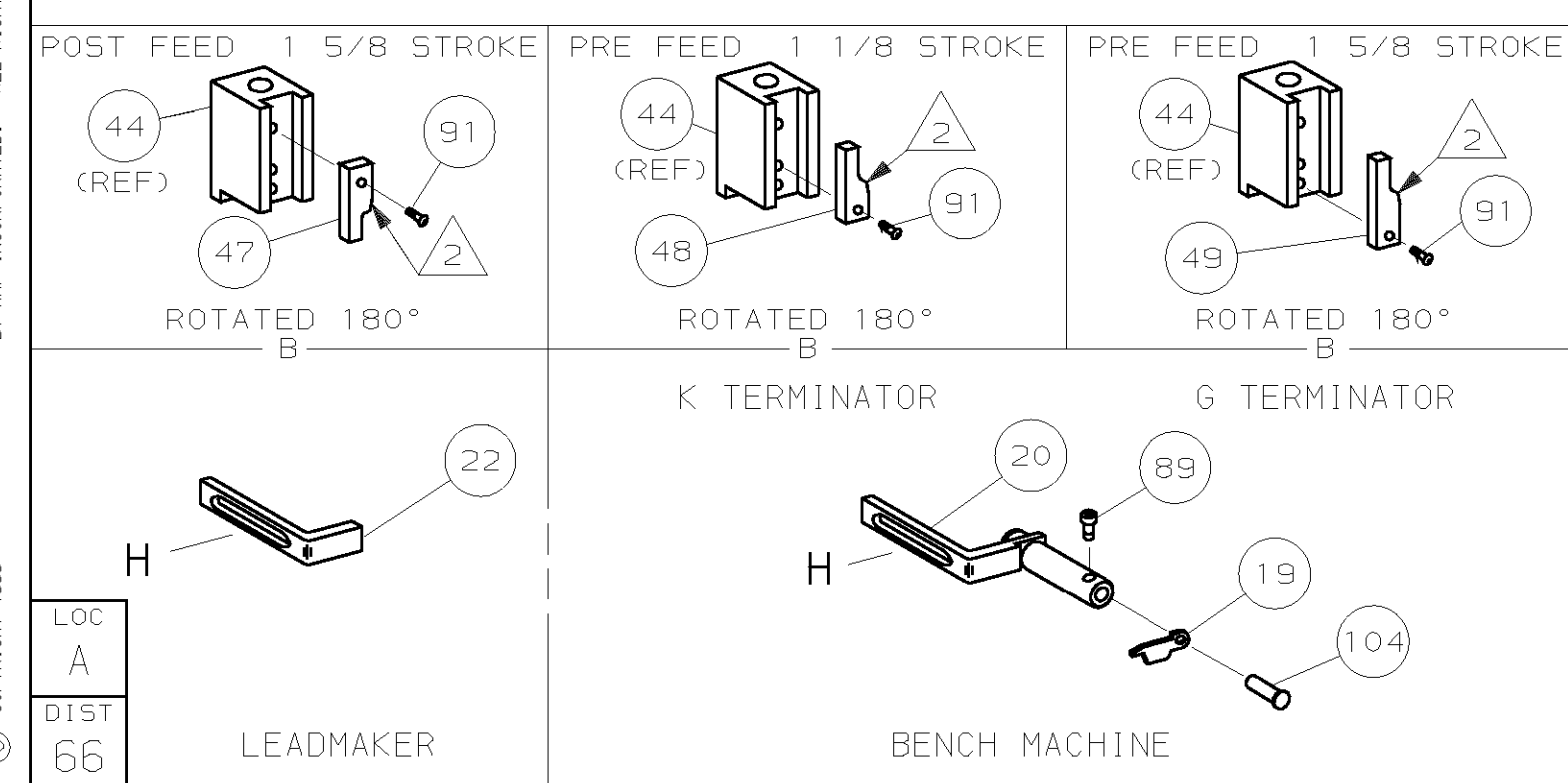
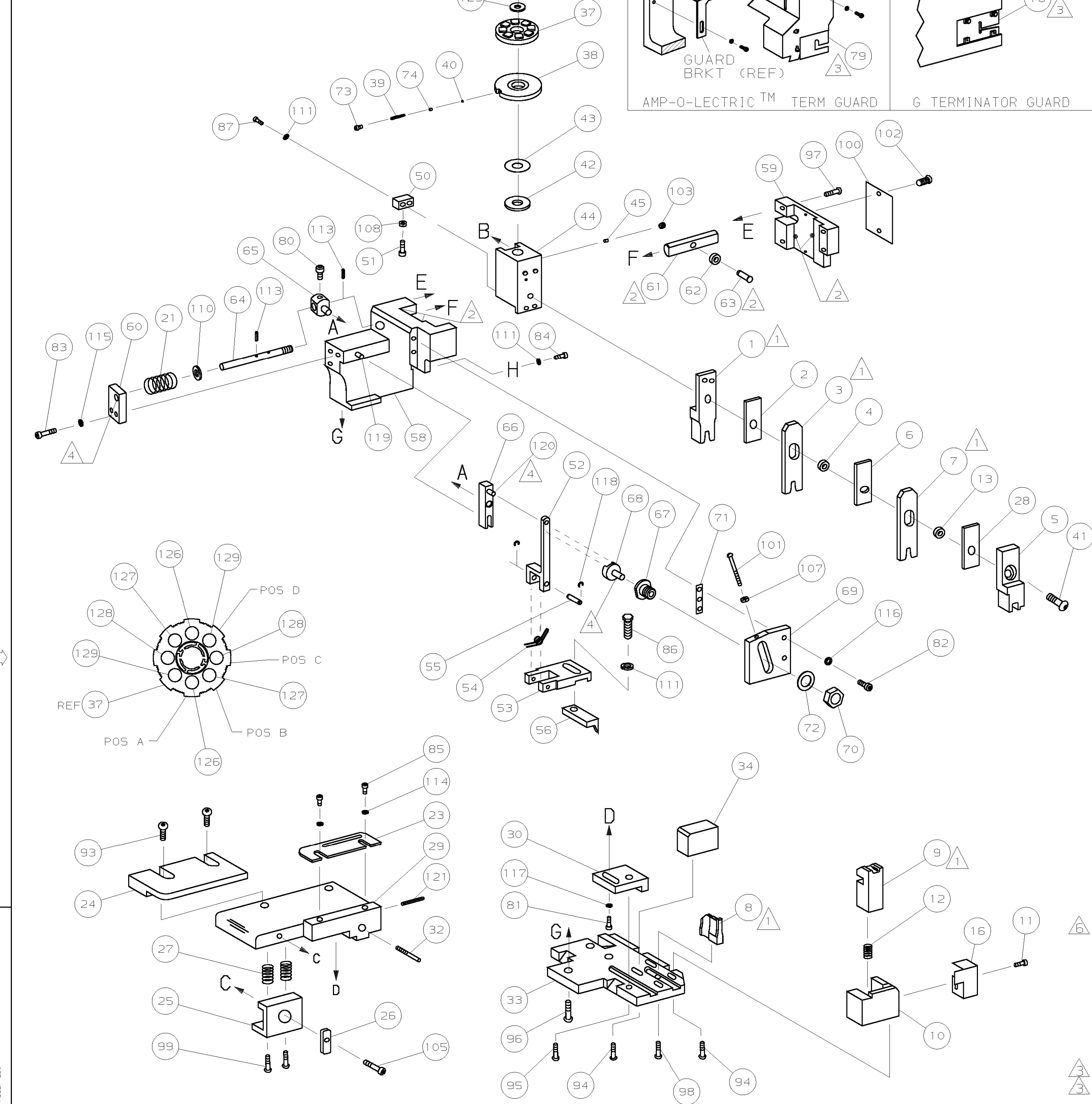


PART NUMBER	REV	FIRST USED
680275-1	B	122500-1
680275-2	B	565435-5
680275-3	B	354500-1



- 1 RECOMMENDED SPARE PARTS.
- 2 GREASE LIGHTLY.
- 3 GUARD MUST BE IN PLACE WHEN OPERATING APPLICATOR IN A BENCH MACHINE.
- 4 LUBRICATE DAILY USING NO. 20 MACHINE OIL.
- 5. ITEMS WITH QTY OF REF SPECIFIED (EXCEPT ITEMS 78 AND 79) ARE USED ON ITEM 46.
- 6 CUT TO LENGTH AT ASSY.

TERMINAL NAME: 3mm PIN & SOCKET									
SOCKET		PIN		CRIMPING DATA					
342542		342543		PAD LTR	CRIMP HEIGHT		WIRE SIZE		
				A	.062 ±.002 [1.57 ±0.05mm]		1.5 mm ²		
				B	.054 ±.002 [1.37 ±0.05mm]		1.0 mm ²		
				C	.050 ±.002 [1.27 ±0.05mm]		0.75 mm ²		
				D	.046 ±.002 [1.17 ±0.05mm]		0.5 mm ²		
				CRIMP	SIZE	TYPE	RANGE		
WIRE STRIP LENGTH		TERM APPL SPEC		FEED		APPL INSTRUCTION	SET UP GAGE LAYOUT		
-		114-3010		.650		408-8040	458637-1 L1743		
2	2	2	-	C	354779-6	PIN, WIRE DISC (.3020)D	129		
2	2	2	-	C	9-354778-6	PIN, WIRE DISC (.2975)C	128		
2	2	2	-	C	8-354778-8	PIN, WIRE DISC (.2935)B	127		
2	2	2	-	C	7-354778-1	PIN, WIRE DISC (.2850)A	126		
1	1	1	-	A	986950-1	WASHER, FLAT PRECISION	125		
1	1	1	-	A	217238-1	DOCUMENTATION PACKAGE	124		
1	1	1	-	-	4088040	SF APPL INST 408-8040	123		
1	1	1	-	-			122		
1	1	1	-	A	4-21028-0	PIN, SLT SPR (ø.093x.75)ST GDE PL	121		
REF	REF	REF	-	A	1-21030-1	PIN, DOWEL (ø.187x.50)LEVER	120		
REF	REF	REF	-	A	1-21030-6	PIN, DOWEL (ø.187x.25)HOUSING	119		
REF	REF	REF	-	A	21045-3	RING, RET "C" (ø.187)FD FING PIN	118		
1	1	1	-	A	21024-5	WASHER, LOCK (#10)ADJ BLOCK	117		
REF	REF	REF	-	A	21024-5	WASHER, LOCK (#10)ADJ PLATE	116		
REF	REF	REF	-	A	21024-5	WASHER, LOCK (#10)FEED GDE ROD	115		
2	2	2	-	A	21024-2	WASHER, LOCK (#4)FRONT STP GUIDE	114		
REF	REF	REF	-	A	5-21028-1	PIN, SLT SPR (ø.125x.50)ADJ ROD	113		
							112		
4	4	4	-	A	21024-4	WASHER, LOCK (#8)STRIPPER	111		
REF	REF	REF	-	A	21899-4	WASHER, FLAT (ø5/16)SCREW ADJ	110		
							109		
1	1	1	-	A	21018-5	NUT, HEX (NO. 6)HOLDDOWN	108		
REF	REF	REF	-	A	21018-5	NUT, HEX (6-32)FEED ADJ	107		
							106		
1	1	1	-	A	22353-8	SCR, SHLD (ø.187x.25)DRAG LEVER	105		
1	1	-	-	A	992031-1	PIN, CLEVIS	104		
1	1	1	-	A	21009-2	SCR, SKT SET (1/4-20x.25 LW)RAM	103		
2	2	2	-	A	21017-2	SCR, DRIVE (#2x.19)ID PLATE	102		
REF	REF	REF	-	A	6-23715-5	SCR, PAN HD (6-32x1.50)FEED ADJ	101		
1	1	1	-	B	461264-1	PLATE, IDENTIFICATION	100		
2	2	2	-	A	3-21002-0	SCR, BHC (10-32x.88)DRAG	99		
1	1	1	-	A	22733-8	SCR, BHC (8-32x.38 LW)ANVIL	98		
REF	REF	REF	-	A	2-21002-9	SCR, BHC (10-32x.75)CAP	97		
REF	REF	REF	-	A	2-22733-8	SCR, BHC (1/4-20x.62)HOUSING	96		
REF	REF	REF	-	A	2-21002-7	SCR, BHC (10-32x.50)5G ADJ BLOCK	95		
4	4	4	-	A	2-21002-2	SCR, BHC (8-32x.50)TERM H DWN	94		
2	2	2	-	A	2-21002-3	SCR, BHC (8-32x.62)R STP GDE	93		
							92		
1	1	1	-	A	1-21002-7	SCR, BHC (6-32x.38)CAM	91		
							90		
1	1	-	-	A	7-21000-9	SCR, SHC (4-40x.19)STRIPPER	89		
							88		
2	2	2	-	A	2-21000-7	SCR, SHC (8-32x.48)HOLD DOWN	87		
1	1	1	-	A	2-22603-0	SCR, HEX HD (8-32x.31)FEED FINGER	86		
2	2	2	-	A	1-21000-3	SCR, SHC (4-40x.25)F ST GUIDE	85		
1	1	1	-	A	2-21000-7	SCR, SHC (8-32x.50)STRIPPER	84		
REF	REF	REF	-	A	3-21000-7	SCR, SHC (10-32x.75)FEED ROD GD	83		
REF	REF	REF	-	A	3-21000-6	SCR, SHC (10-32x.62)FD ADJ BLK	82		
1	1	1	-	A	3-21000-4	SCR, SHC (10-32x.38)5G ADJ BL	81		
REF	REF	REF	-	A	3-21000-4	SCR, SHC (10-32x.38)PIVOT BLK	80		
-	REF	-	-	B	455749-1	GUARD, WINDOW	79		
REF	-	-	-	B	679532-1	INSERT, GUARD	78		
							77		
							76		
							75		
1	1	1	-	A	690603-1	SPRING, ASSIST	74		
1	1	1	-	A	23030-1	SCR, SHC (6-32x.25 SL)INS DISC	73		
REF	REF	REF	-	A	458109-1	WASHER, SPECIAL	72		
REF	REF	REF	-	A	690517-1	SPACER	71		
							70		
							69		
							68		
							67		
							66		
							65		
							64		
							63		
							62		
							61		
							60		
							59		
							58		
							57		
							56		
							55		
							54		
							53		
							52		
							51		
							50		
							49		
							48		
							47		
							46		
							45		
							44		
							43		
							42		
							41		
							40		
							39		
							38		
							37		
							36		
							35		
							34		
REF	REF	REF	-	D	455675-1	PLATE, BASE	33		
1	1	1	-	A	690432-3	SCREW, ADJUSTMENT	32		
							31		
REF	REF	REF	-	B	455689-1	BLOCK, STRIP GUIDE ADJ	30		
1	1	1	-	C	458144-8	PLATE, STRIP GUIDE	29		
1	1	1	-	C	455888-1	SPACER, FRONT SHEAR DEP	28		
2	2	2	-	A	1-22284-0	SPRING, DRAG	27		
1	1	1	-	B	240793-1	LEVER, DRAG RELEASE	26		
1	1	1	-	B	240792-1	DRAG, TERMINAL	25		
1	1	1	-	D	5-690504-1	GUIDE, STRIP (REAR)	24		
1	1	1	-	A	690438-1	GUIDE, STRIP (FRONT)	23		
-	-	1	-	B	690472-2	STRIPPER	22		
REF	REF	REF	-	A	4-22284-9	SPRING, FEED RETURN	21		
1	1	-	-	A	679218-1	STRIPPER WIRE STOP ASSY	20		
1	1	-	-	B	458949-4	STRIPPER	19		
							18		
							17		
1	1	1	-	B	318563-1	GUARD, CHIP, FRONT	16		
							15		
							14		
1	1	1	-	C	2-238011-6	SPACER, BLOCK CRIMPER	13		
1	1	1	-	A	5-22280-0	SPRING, SHEAR	12		
1	1	1	-	B	690461-1	STOP, SHEAR	11		
1	1	1	-	C	468798-1	HOLDER, SHEAR (FRONT)	10		
1	1	1	-	C	462006-3	SHEAR, FLOAT (FRONT)	9		
1	1	1	-	C	356122-1	ANVIL	8		
1	1	1	-	C	9-683454-0	CRIMPER, SIZING	7		
1	1	1	-	C	455888-1	SPACER, SIZING TOOL	6		
1	1	1	-	C	122399-1	DEPRESSOR, SHEAR (FRONT)	5		
1	1	1	-	B	238011-4	SPACER, BLOCK CRIMPER	4		
1	1	1	-	C	6-456134-6	CRIMPER, INSULATION	3		
1	1	1	-	C	1-455888-5	SPACER, CRIMPER	2		
1	1	1	-	C	4-458141-4	CRIMPER, WIRE	1		

LEADMAKER		MECH POST FEED					
BENCH MODEL K		MECH PRE FEED					
BENCH MODEL G		MECH PRE FEED					
REF	REF	REF	-	B	22594-8	NUT, HEX (1/2-20)	70
REF	REF	REF	-	B	240628-1	PLATE, ADJUSTMENT	69
REF	REF	REF	-	B	240626-1	SHAFT, PIVOT	68
REF	REF	REF	-	B	240633-1	BUSHING	67
REF	REF	REF	-	A	455680-1	LEVER, INTERMEDIATE	66
REF	REF	REF	-	B	240629-1	BLOCK, PIVOT	65
REF	REF	REF	-	A	240632-2	SCREW, ADJ FEED ROD	64
REF	REF	REF	-	B	240659-3	PIN, CAM ROLLER	63
REF	REF	REF	-	B	240658-1	ROLLER, CAM	62
REF	REF	REF	-	B	454398-2	ROD, FEED	61
REF	REF	REF	-	A	454178-1	GUIDE, FEED ROD	60
REF	REF	REF	-	C	454220-1	CAP, RAM	59
REF	REF	REF	-	D	454485-1	HOUSING	58
							57
1	1	1	-	B	458537-2	PAWL, FEED	56
REF	REF	REF	-	B	240624-1	PIN, FEED FINGER	55
REF	REF	REF	-	B	691499-1	SPRING, FEED FINGER	54
REF	REF	REF	-	B	690541-1	HOLDER, FEED FINGER	53
REF	REF	REF	-	A	455679-1	LEVER, TERMINAL FEED ARM	52
1	1	1	-	A	811242-2	BUMPER, HOLDDOWN	51
1	1	1	-	A	690753-1	SPACER, TONKER	50
1	-	-	-	B	690602-6	CAM, PRE-FEED 1 5/8 ST	49
-	1	-	-	B	690602-5	CAM, PRE-FEED 1 1/8 ST	48
-	-	1	-	B	690501-4	CAM, POST-FEED 1 5/8 ST	47
1	1	1	-	B	459456-1	APPLICATOR, BASIC (SUBASSY)	46
1	1	1	-	A	690191-1	PLUG, NYLON	45
1	1	1	-	C	455673-1	RAM	44
1	1	1	-	A	690125-1	WASHER, LAMINATED	43
1	1	1	-	A	690124-1	WASHER, RAM	42
1	1	1	-	A	7-21002-9	BOLT, CRIMPER (5/16x1.00)	41
1	1	1	-	A	23241-6	BALL, STEEL	40</