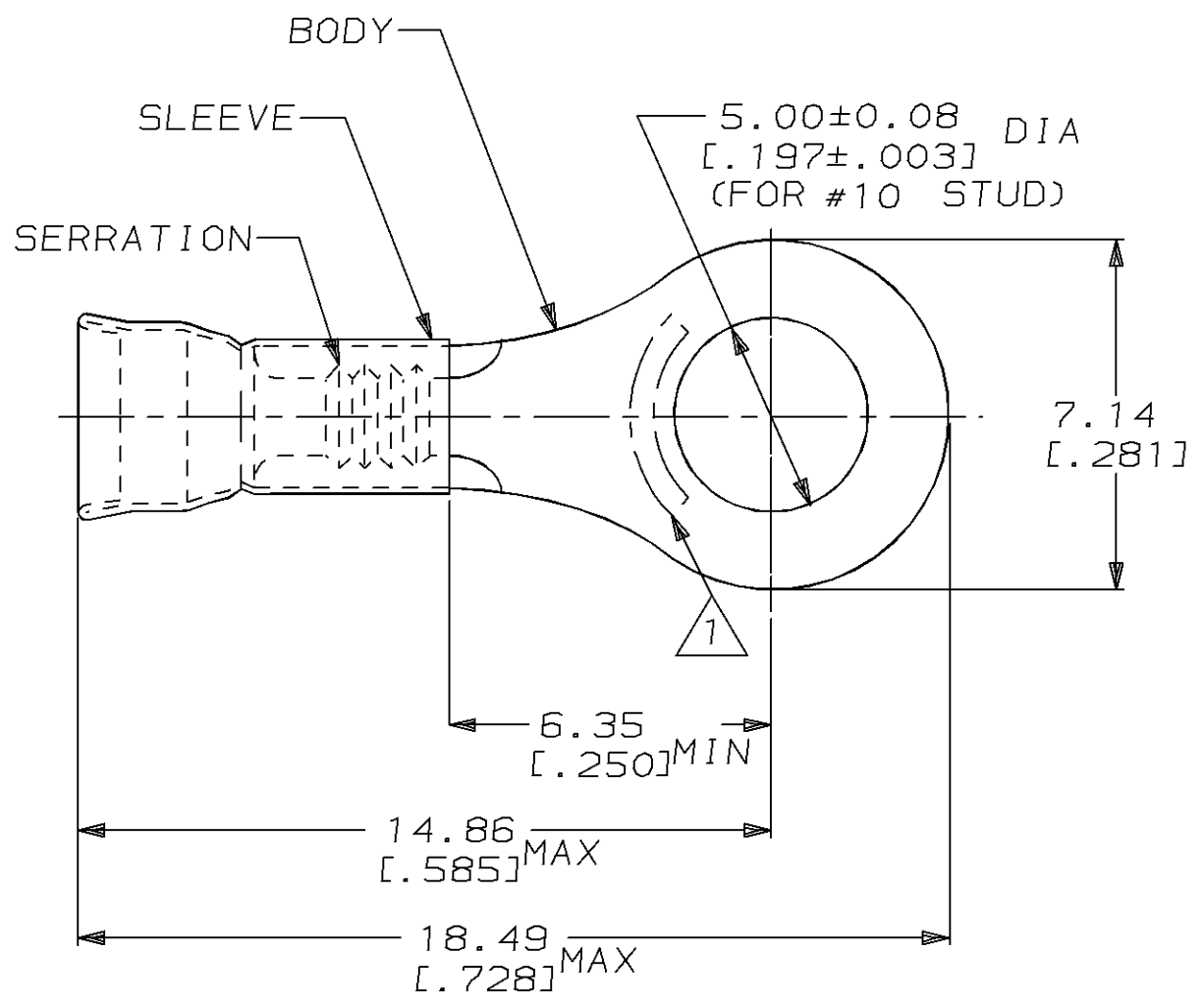


THIS DRAWING IS UNPUBLISHED. RELEASED FOR PUBLICATION ,19 .
 © COPYRIGHT 19 BY AMP INCORPORATED. ALL RIGHTS RESERVED.

LOC	DIST	REVISIONS			
P	LTR	DESCRIPTION	DATE	DWN	APVD
G	14	E	REV / 0720-0867-96	26FEB96	ME SB



AMP WIRE RANGE	UL E13288	SP LR7189 Certified
22-16 AWG SOLID OR STRANDED	22-16 AWG SOLID OR STRANDED	22-16 AWG SOLID OR STRANDED

- 1 STAMP AMP 22-18* APPROX AS SHOWN
22-16 TERMINALS ARE STAMPED 22-18 IN
ACCORDANCE WITH MILITARY SPEC MIL-T-7928
COMMERCIAL WIRE RANGE IS 22-16
- 2. WIRE INSUL DIA, 2.67-3.56 [.105-.140]
- 3. TONGUE MATL THK, 0.79±0.05 [.031±.002]
- 4 TIN PLATE PER MIL-T-10727
- 5 GOLD PLATE PER MIL-G-45204 OVER NICKEL
PLATE PER QQ-N-290

5	1000	LOOSE PIECE	31398-1
6	5000	ON TAPE, REEL	2-31398-1
6	1000	LOOSE PIECE	31398
	QTY	PACKAGE TYPE	PART NO

AMP INCORPORATED CUSTOMER SERVICE SYSTEM		MAX RECOMMENDED OPERATING TEMPERATURE: 170°C [338°F]		THIS DRAWING IS A CONTROLLED DOCUMENT FOR AMP INCORPORATED. IT IS SUBJECT TO CHANGE AND THE CONTROLLING ENGINEERING ORGANIZATION SHOULD BE CONTACTED FOR THE LATEST REVISION.		DWN L OLMEDA 23JAN95		AMP Incorporated	
FOR ADDITIONAL PRODUCT INFORMATION OR COPIES OF DRAWINGS AND TECHNICAL DOCUMENTS		PRODUCT INFORMATION CENTER 1-800-522-6752		DIMENSIONS: mm [in]		TOLERANCES UNLESS OTHERWISE SPECIFIED:		Harrisburg, PA 17105-3608	
FOR APPLICATION TOOLING INFORMATION		TOOLING ASSISTANCE CENTER 1-800-722-1111		VOLTAGE RATING: -		0 PLC ±- 1 PLC ±- 2 PLC ±0.20 [.008] 3 PLC ±- 4 PLC ±- ANGLES ±-		NAME TERMINAL, RING, DIAMOND GRIP™ WIRE SIZE, 22-16 AWG	
FOR ORDER ENTRY		1-800-526-5142		CIRCULAR MIL AREA: 0.26mm²-1.65mm² [509-3260]		MATERIAL BODY, CU, SLV, CU PER ASTM B152		FINISH SEE NOTE	
						APVD M ELLIS 23JAN95		SIZE A3	
						PRODUCT SPEC UL486A		CAGE CODE 00779	
						APPLICATION SPEC -		DRAWING NO C-31398	
						WEIGHT -		SCALE 6:1	
						CUSTOMER DRAWING		SHEET 1 OF 1	
								REV E	