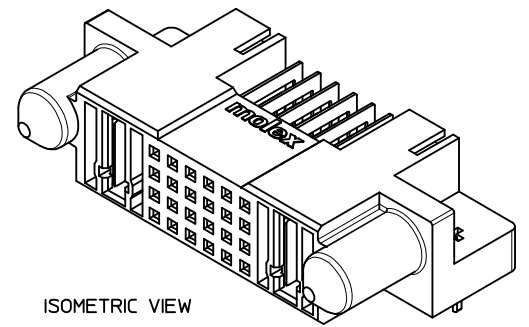
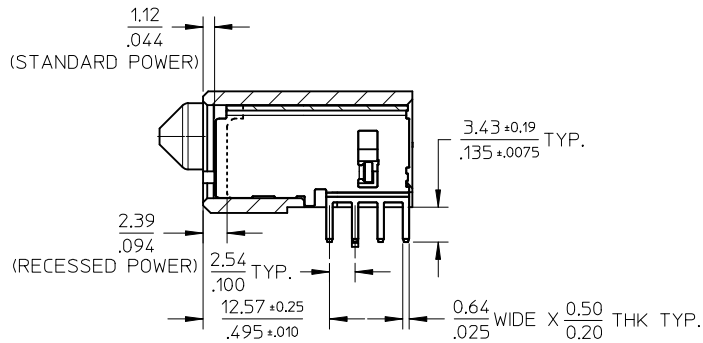
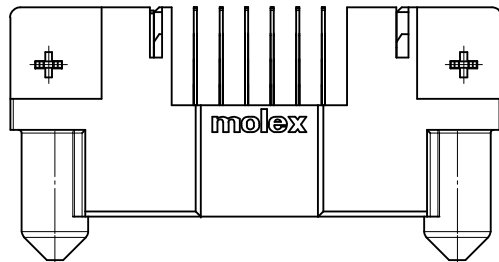
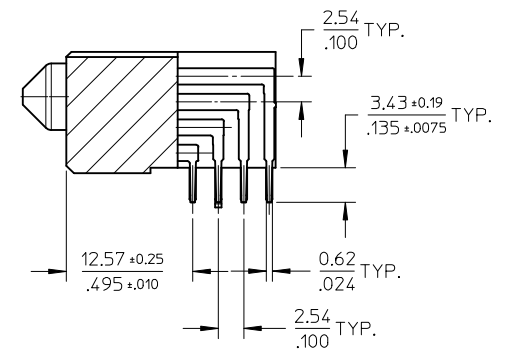
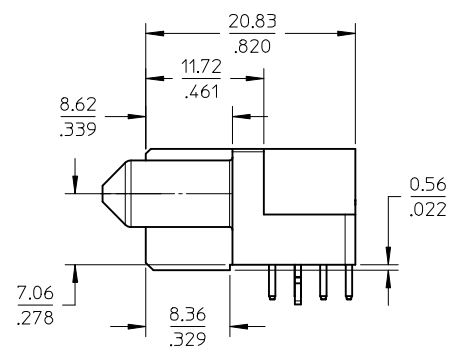
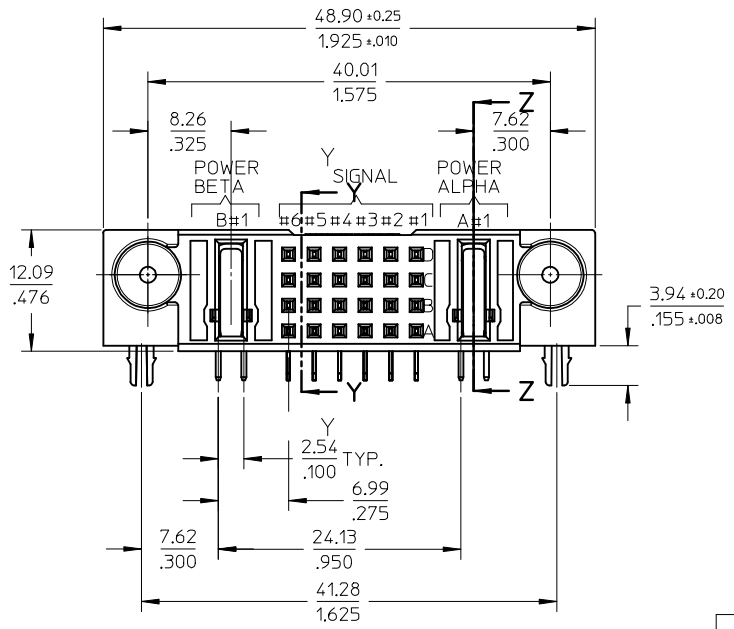


10 9 8 7 6 5 4 3 2 1



SECTION Z-Z

ISOMETRIC VIEW

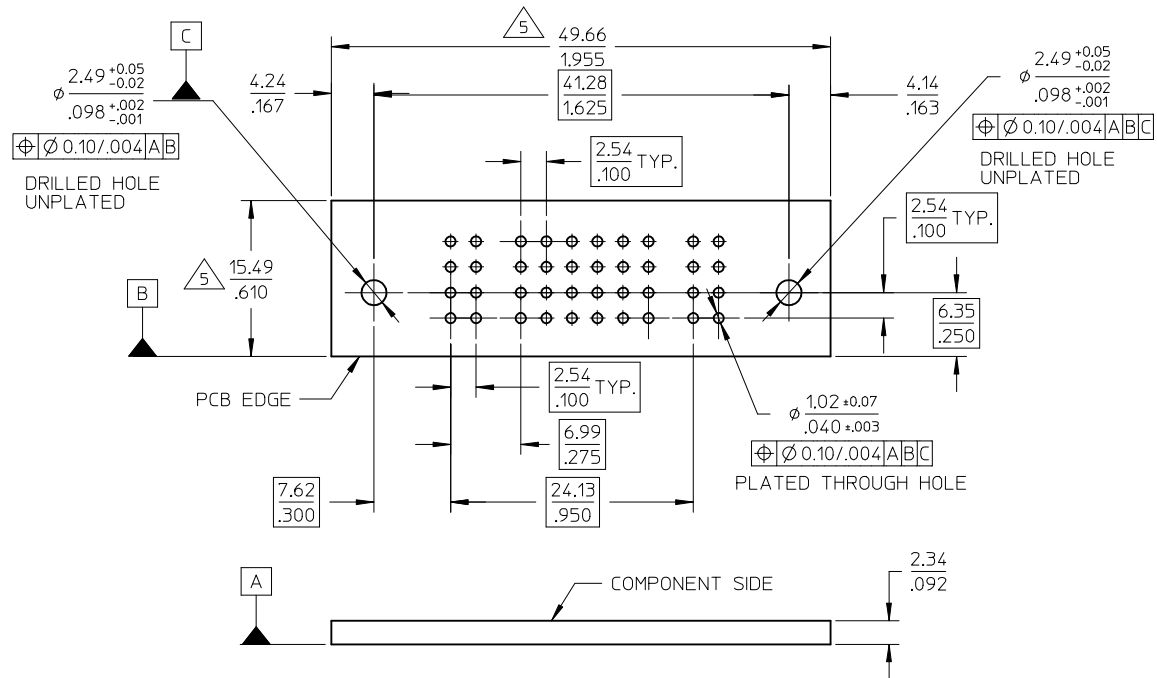


SECTION Y-Y

REVISED EC NO: S2014-0060 DRWN:SKANG CHKD:MLONG APPR:MLONG 2013/07/16 2013/09/06 2013/09/09	QUALITY SYMBOLS	GENERAL TOLERANCES (UNLESS SPECIFIED)		DIMENSION STYLE		SCALE	DESIGN UNITS	THIRD ANGLE PROJECTION		
	$\nabla_A = 0$ $\nabla_C = 0$ $\nabla_F = 0$	4 PLACES ± --- ± --- 3 PLACES ± --- ± .005 2 PLACES ± 0.13 ± .010 1 PLACE ± 0.25 ± --- 0 PLACE ± ±	mm	INCH	MM/IN		NTS	METRIC	DRAWN BY: KMG0H DATE: 2002/12/03 CHECKED BY: PTLIM DATE: 2002/12/05 APPROVED BY: SKTOH DATE: 2002/12/05	
	DESCRIPTION	ANGULAR ± 3 °		MATERIAL NO.		TITLE		DOCUMENT NO.		
	D1	DRAFT WHERE APPLICABLE MUST REMAIN WITHIN DIMENSIONS		SEE TABLE		ASSEMBLY, DPS PWR CONN. P-S-P CONFIG., RECEPT. R/A, T/H, BOARD-LOCK		SD-87607-014		
REV	THIS DRAWING CONTAINS INFORMATION THAT IS PROPRIETARY TO MOLEX INCORPORATED AND SHOULD NOT BE USED WITHOUT WRITTEN PERMISSION		SIZE A3		SHEET NO. 1 OF 2					

9 8 7 6 5 4 3 2 1

10	9	8	7	6	5	4	3	2	1
PART NUMBER	STANDARD POWER BLADE LOCATION	RECESS POWER BLADE LOCATION	PART STATUS	PACKAGING					
87607-1001	A#1,B#1	NIL	TOOLED	TRAY					
87607-1021	A#1	B#1							



NOTES:

- MATERIALS : HOUSING - LCP, GLASS FILLED, UL94V-0, COLOR: BLACK  
POWER PINS - COPPER ALLOY  
SIGNAL PINS - COPPER ALLOY  
BOARD LOCK - COPPER ALLOY
- FINISHES: POWER AND SIGNAL PINS  
SELECTIVE GOLD IN THE CONTACT AREA  
THICKNESS = 0.76 MICROMETER / 30 MICROINCH MINIMUM  
SELECTIVE TIN ALLOY IN THE PCB TAIL AREA  
THICKNESS = 2.54 MICROMETER / 100 MICROINCH MINIMUM  
1.27um MINIMUM NICKEL OVERALL UNDERPLATE.
- PRODUCT SPECIFICATIONS : PS-87606-002
- SEE SHEET 2 FOR RECOMMENDED PCB LAYOUT AND THICKNESS
- COMPONENT STAY AWAY ZONE FROM CONNECTOR

REVISED EC NO: S2014-0060 2013/07/16 DRW:SKANG 2013/09/06 CHKD:MLONG 2013/09/06 APPR:MLONG 2013/09/09	DESCRIPTION REV	QUALITY SYMBOLS	GENERAL TOLERANCES (UNLESS SPECIFIED)		DIMENSION STYLE	SCALE	DESIGN UNITS	THIRD ANGLE PROJECTION	
			mm	INCH	MM/IN	NTS	METRIC		
		$\sqrt{Ra} = 0$	4 PLACES	$\pm$ ---	$\pm$ ---	DRAWN BY	DATE	TITLE	
		$Rz = 0$	3 PLACES	$\pm$ ---	$\pm .005$	CHECKED BY	DATE	ASSEMBLY, DPS PWR CONN. P-S-P CONFIG., RECEPT. R/A, T/H, BOARD-LOCK	
$Ry = 0$	2 PLACES	$\pm 0.13$	$\pm .010$	APPROVED BY	DATE	molex			
	1 PLACE	$\pm 0.25$	$\pm$ ---	SKTOH	2002/12/05		DOCUMENT NO.	SHEET NO.	
		0 PLACE	$\pm$			SD-87607-014	2 OF 2		
		ANGULAR $\pm 3^\circ$		MATERIAL NO.					
		DRAFT WHERE APPLICABLE MUST REMAIN WITHIN DIMENSIONS		SEE TABLE					
				SIZE	THIS DRAWING CONTAINS INFORMATION THAT IS PROPRIETARY TO MOLEX INCORPORATED AND SHOULD NOT BE USED WITHOUT WRITTEN PERMISSION				
				A3					