



Actual Size = 7 x 5mm



Product Features

- 5V CMOS/TTL compatible logic levels
- Pin-compatible with standard 7x5mm packages
- Designed for standard reflow and washing techniques
- Output Tri-state function
- Pb-free and RoHS/Green compliant (seam seal package only)

Product Description

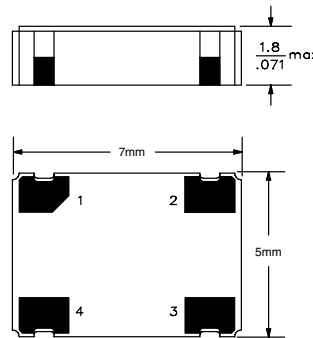
The S1700 and S1750 are 5V crystal clock oscillators. The output clock signal is compatible with CMOS/TTL logic levels. The device, available on tape and reel, is contained in a 7x5mm surface-mount ceramic package.

Applications

The S1700 and S1750 are an ideal reference clock for SMT applications requiring 5V CMOS & TTL logic levels

- PCs, notebooks, palmtop computers
- Portable applications
- PCMCIA cards and HDD

Packaging Outline



Pin Functions

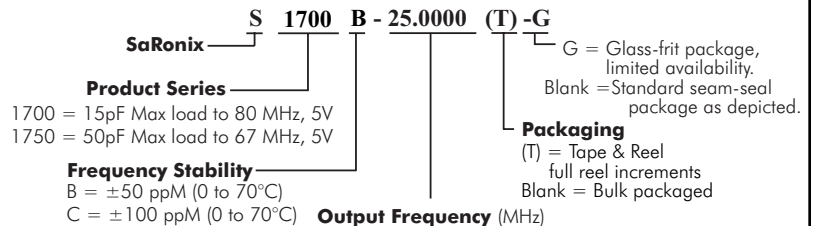
Pin	Function
1	OE Function
2	Ground
3	Clock Output
4	V _{DD}

Common Frequencies

Contact SaRonix for additional frequencies

3.6864 MHz	22.0000 MHz	40.0000 MHz
8.0000 MHz	24.5760 MHz	48.0000 MHz
10.0000 MHz	25.0000 MHz	50.0000 MHz
14.3181 MHz	32.0000 MHz	60.0000 MHz
16.0000 MHz	32.7680 MHz	66.0000 MHz
18.4320 MHz	33.0000 MHz	66.6667 MHz
20.0000 MHz	35.3280 MHz	75.0000 MHz

Ordering Information



*Note: Legacy glass frit package may continue to ship until inventory is depleted. See S1615 series to guarantee seam seal package.

Electrical Performance

Parameter	Min.	Typ.	Max.	Units	Notes
Output frequency	1.8432		80	MHz	S1750 Max Frequency 67 MHz
Supply voltage	+4.5	+5.0	+5.5	V DC	
Supply current, output enabled 1700			15	mA	1.8 to 35 MHz
			30		>35 to 66.0 MHz
			50		>66 to 80.0 MHz
Supply current, output enabled 1750			20	mA	1.8 to 20 MHz
			35		>20 to 50 MHz
			60		>50 to 67.0 MHz
Frequency stability			±50 to ±100	ppM	See Note 1 below
Operating temperature	0		+70	°C	
Output logic 0, VOL			10% V _{DD}	V	HCMOS
			0.5	V	TTL, S1750 only
Output logic 1, VOH	90% V _{DD}			V	HCMOS
	2.5			V	TTL, S1750 only
Output load			15	pF	S1700
			50	pF	S1750
			5	TTL	TTL, S1750 only
Duty cycle	CMOS	45	55	%	0 to 70°C measured 50%VDD
	TTL	40	60	%	0 to 70°C measured 1.5V, S1750 only
Rise and fall time	CMOS		10	ns	measured 20/80% of waveform
	TTL		5	ns	measured 0.5V to 2.5V, S1750 only

Note:
 1. As specified. Stability includes all combinations of operating temperature, load changes, rated input (supply) voltage changes, initial calibration tolerance (25°C), aging (1 year at 25°C average effective ambient temperature), shock and vibration.

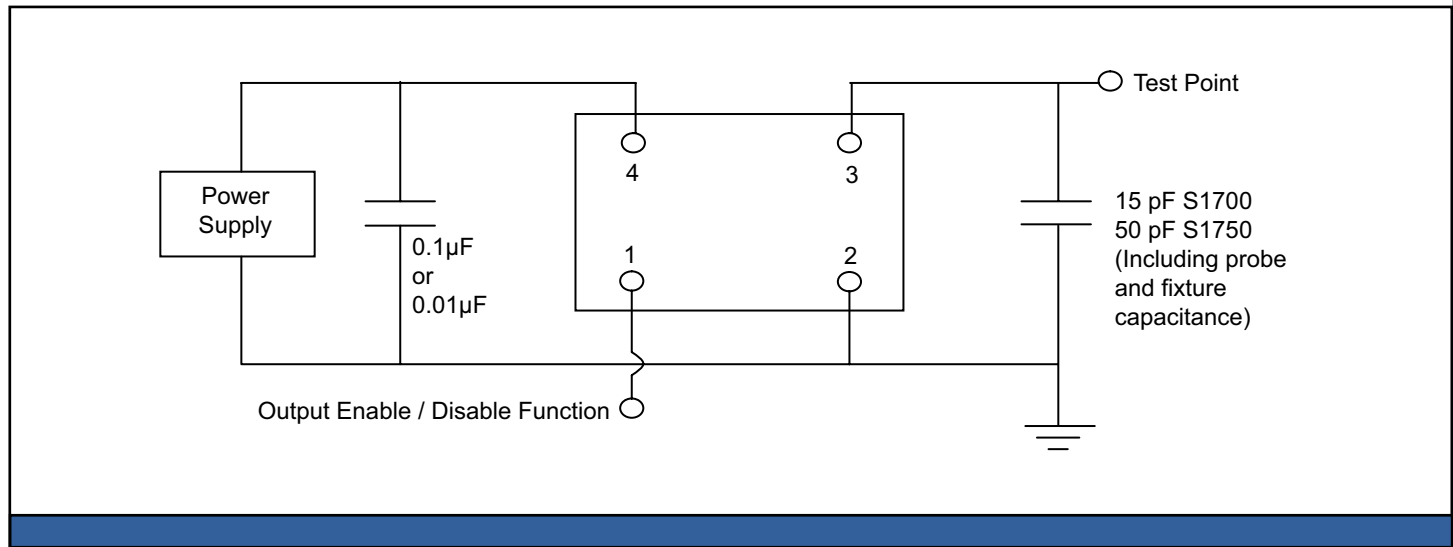
Output Enable / Disable Function

Parameter	Min.	Typ.	Max.	Units	Notes
Input Voltage (pin 1), Output Enable (HCMOS)	90% V _{DD}			V	or open
Input voltage (pin 1), Output Disable (HCMOS)			10% V _{DD}	V	Output is Hi-Z
Input voltage (pin 1), Output Enable (TTL)	2.2			V	or open
Input voltage (pin 1), Output Disable (TTL)			0.8	V	Output is Hi-Z
Internal pullup resistance	50			kΩ	
Output disable delay			100	ns	
Output enable delay			100	ns	

Absolute Maximum Ratings

Parameter	Min.	Typ.	Max.	Units	Notes
Storage temperature	-55		+125	°C	

Test Circuit

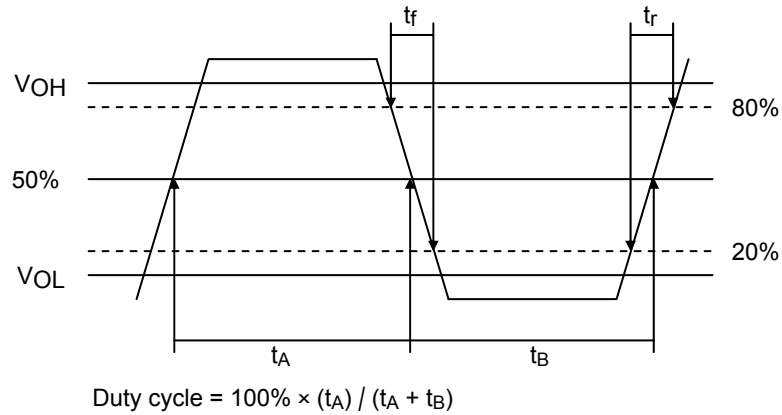


Reliability Test Ratings

This product is rated to meet the following test conditions (Applies to seam-seal package only):

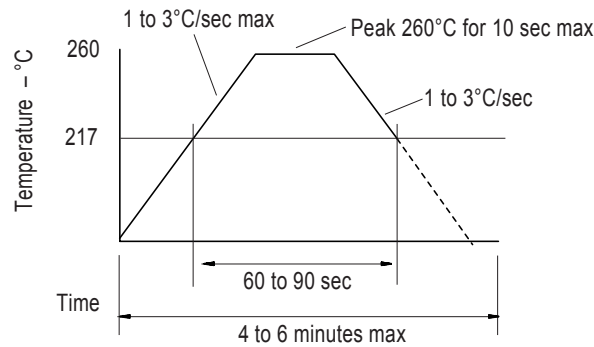
Type	Parameter	Test Condition
Mechanical	Shock	MIL-STD-883, Method 2002, Condition B
Mechanical	Solderability	JESD22-B102-D Method 2 (Preconditioning E)
Mechanical	Terminal strength	MIL-STD-883, Method 2004, Condition D
Mechanical	Gross leak	MIL-STD-883, Method 1014, Condition C
Mechanical	Fine leak	MIL-STD-883, Method 1014, Condition A2 ($R_1 = 2 \times 10^{-8}$ atm cc/s)
Mechanical	Solvent resistance	MIL-STD-202, Method 215
Environmental	Thermal shock	MIL-STD-883, Method 1011, Condition A
Environmental	Moisture resistance	MIL-STD-883, Method 1004
Environmental	Vibration	MIL-STD-883, Method 2007, Condition A
Environmental	Resistance to soldering heat	J-STD-020C Table 5-2 Pb-free devices (2 cycles max)

Output Waveform

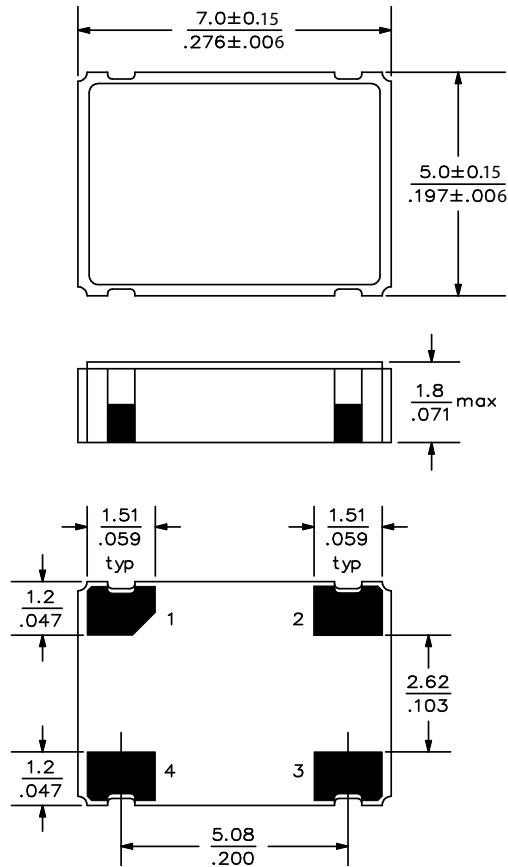


Reflow Soldering Profile (Applies to seam-seal package only)

As per IPC/JEDEC J-STD-020C

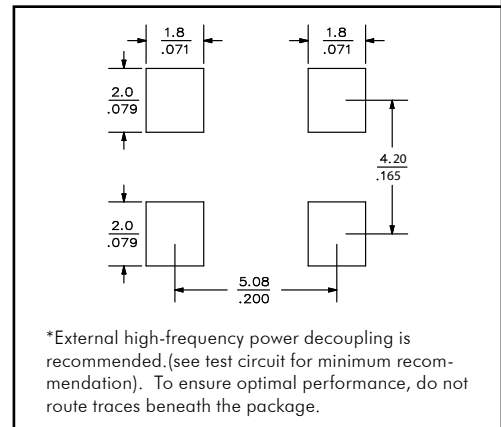


Mechanical Drawings



Note: Seam-seal package is depicted. Legacy glass-frit package has limited availability, please inquire if needed.

Recommended Land Pattern*



*External high-frequency power decoupling is recommended. (see test circuit for minimum recommendation). To ensure optimal performance, do not route traces beneath the package.

Scale: None. Dimensions are in mm/inches.

Marking LINE 1: S XX YY WW X (SaRonix, Model, Stability, Year, Week, Origin)
Marking LINE 2: • Frequency (Pin #1, Frequency code)

Note: S2YYYYWWX S1700
S7YYYYWWX S1750

**Exact location of markings may vary.