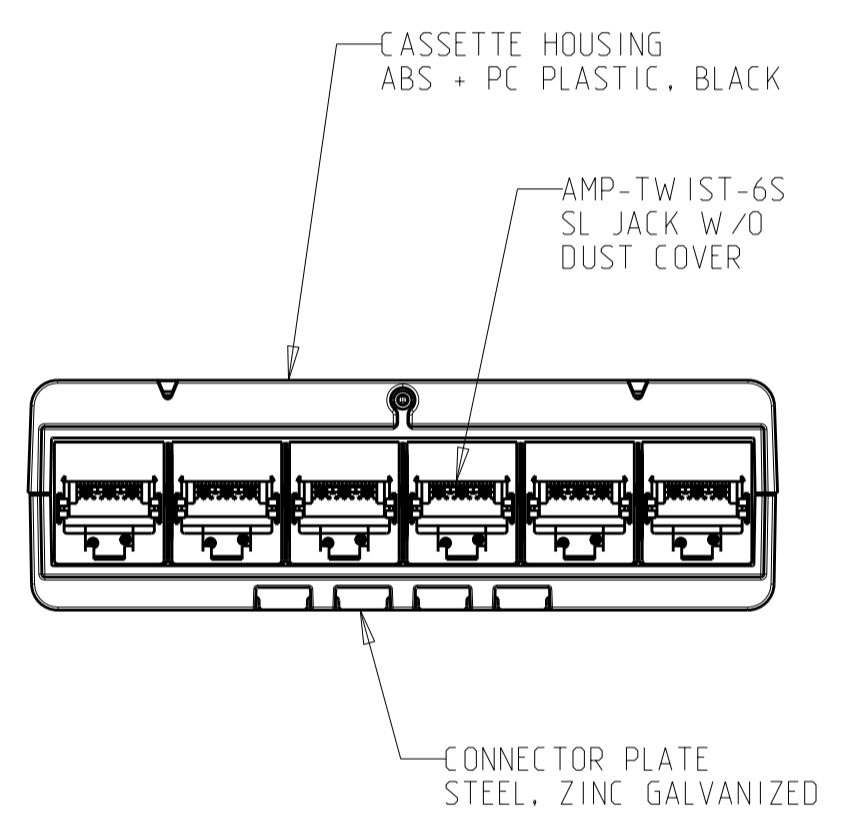
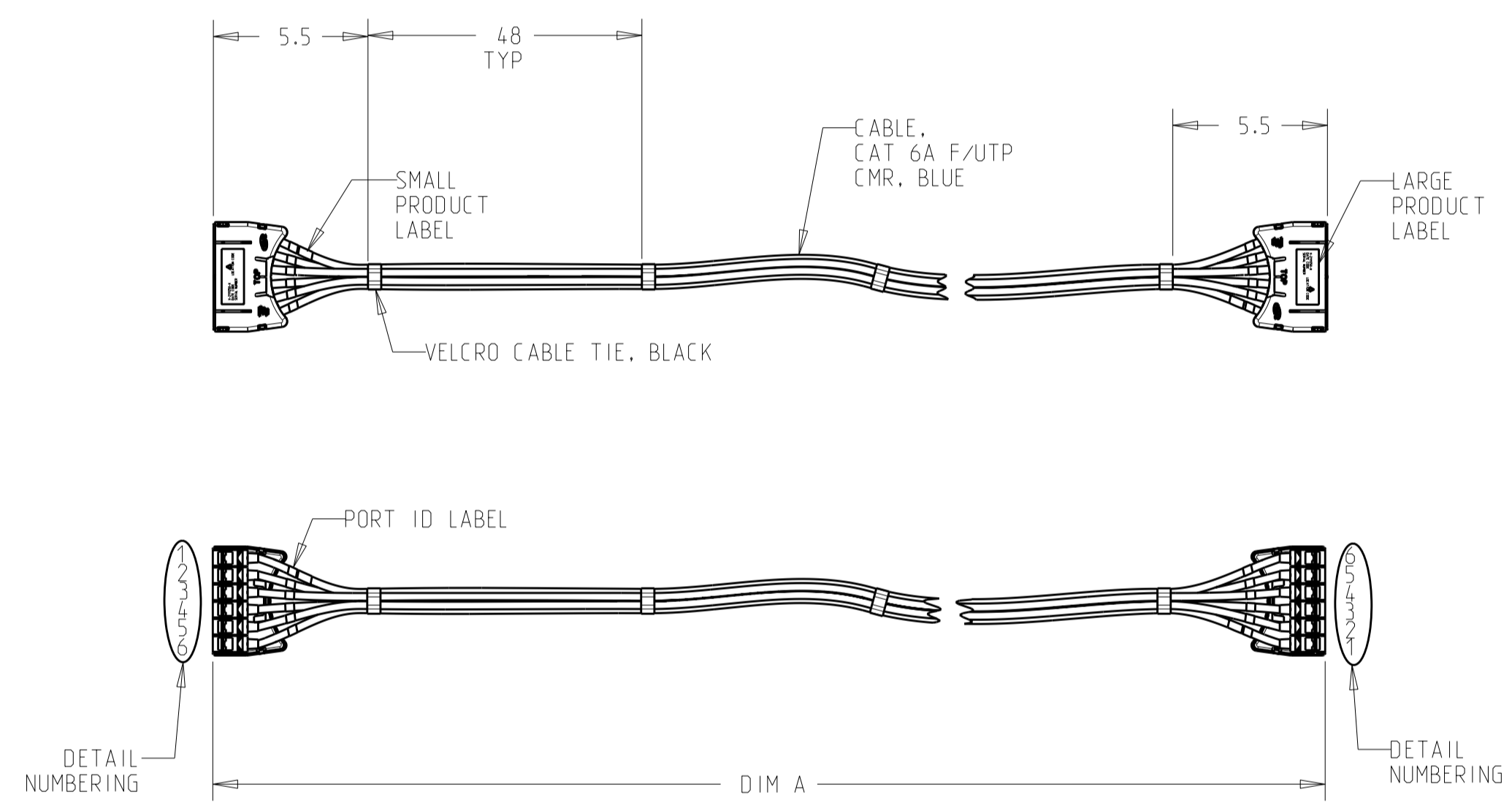


THIS DRAWING IS UNPUBLISHED. RELEASED FOR PUBLICATION 20
 © COPYRIGHT 20 BY TYCO ELECTRONICS CORPORATION. ALL INTERNATIONAL RIGHTS RESERVED.

LOC	DIST	REVISIONS					
		P	LTR	DESCRIPTION	DATE	DWN	APVD
HM	00		A	RELEASE ECO-10-008896	28APR2010	LH	DC
			B	REV ECO-10-012211	11JUN2010	LH	DC
			C	REV ECO-10-012962	21JUN2010	LH	DC

FEET. REF	DIM A	PART NO.
295	3540.00-3547.00	9-2111252-5
285	3420.00-3427.00	8-2111252-5
275	3300.00-3307.00	7-2111252-5
265	3180.00-3187.00	6-2111252-5
255	3060.00-3067.00	5-2111252-5
245	2940.00-2947.00	4-2111252-5
235	2820.00-2827.00	3-2111252-5
225	2700.00-2707.00	2-2111252-5
215	2580.00-2587.00	1-2111252-5
205	2460.00-2467.00	2111252-5
195	2340.00-2346.00	9-2111251-5
185	2220.00-2226.00	8-2111251-5
175	2100.00-2106.00	7-2111251-5
165	1980.00-1986.00	6-2111251-5
155	1860.00-1866.00	5-2111251-5
145	1740.00-1746.00	4-2111251-5
135	1620.00-1626.00	3-2111251-5
125	1500.00-1506.00	2-2111251-5
115	1380.00-1386.00	1-2111251-5
105	1260.00-1266.00	2111251-5
95	1140.00-1146.00	9-2111250-5
85	1020.00-1026.00	8-2111250-5
75	900.00-906.00	7-2111250-5
64	768.00-774.00	6-2111250-4
62	744.00-750.00	6-2111250-2
60	720.00-726.00	6-2111250-0
58	696.00-702.00	5-2111250-8
56	672.00-678.00	5-2111250-6
54	648.00-654.00	5-2111250-4
52	624.00-630.00	5-2111250-2
50	600.00-605.00	5-2111250-0
48	576.00-581.00	4-2111250-8
46	552.00-557.00	4-2111250-6
44	528.00-532.00	4-2111250-4
42	504.00-509.00	4-2111250-2
40	480.00-485.00	4-2111250-0
38	456.00-461.00	3-2111250-8
36	432.00-437.00	3-2111250-6
34	408.00-413.00	3-2111250-4
32	384.00-389.00	3-2111250-2
30	360.00-365.00	3-2111250-0
28	336.00-340.00	2-2111250-8
26	312.00-316.00	2-2111250-6
25	300.00-304.00	2-2111250-5
24	288.00-292.00	2-2111250-4
23	276.00-280.00	2-2111250-3
22	264.00-268.00	2-2111250-2
21	252.00-256.00	2-2111250-1
20	240.00-244.00	2-2111250-0
19	228.00-232.00	1-2111250-9
18	216.00-220.00	1-2111250-8
17	204.00-208.00	1-2111250-7
16	192.00-196.00	1-2111250-6
15	180.00-184.00	1-2111250-5
14	168.00-172.00	1-2111250-4
13	156.00-160.00	1-2111250-3
12	144.00-148.00	1-2111250-2
11	132.00-136.00	1-2111250-1
10	120.00-124.00	1-2111250-0
9	108.00-111.00	2111250-9
8	96.00-99.00	2111250-8
7	84.00-87.00	2111250-7

- 100% TESTING FOR EACH SINGLE ELEMENT IN ACCORDANCE WITH TIA 568C.2 CAT.6A PERMANENT LINK.
- WIRING PATTERN IN ACCORDANCE WITH T568B.



<small>THIS DRAWING IS A CONTROLLED DOCUMENT FOR TYCO ELECTRONICS CORPORATION IT IS SUBJECT TO CHANGE AND THE CONTROLLING ENGINEERING ORGANIZATION SHOULD BE CONTACTED FOR THE LATEST REVISION.</small>		DWN J. BURWELL 20APR2010 CHK D. CRAIG 20APR2010 APVD -	Tyco Electronics Tyco Electronics Harrisburg, PA 17105-3608
DIMENSIONS: INCHES 	TOLERANCES UNLESS OTHERWISE SPECIFIED: 0 PLC ±.75 1 PLC ±.50 2 PLC ± 3 PLC ± 4 PLC ± ANGLES ± FINISH	PRODUCT SPEC - APPLICATION SPEC - WEIGHT - CUSTOMER DRAWING	NAME BUNDLED CABLE ASSY, CASSETTE TO CASSETTE CAT 6A, F/UTP, CMR, BLUE SIZE A2 CAGE CODE 00779 DRAWING NO. 2111250 RESTRICTED TO - SCALE 1:1 SHEET 1 OF 1 REV C