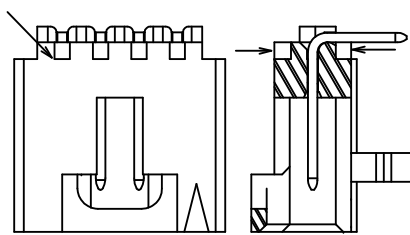
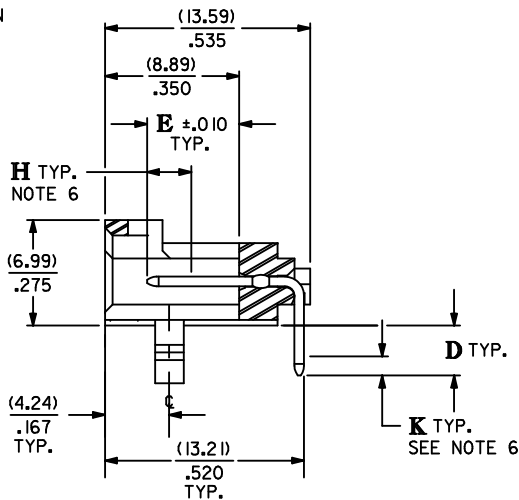
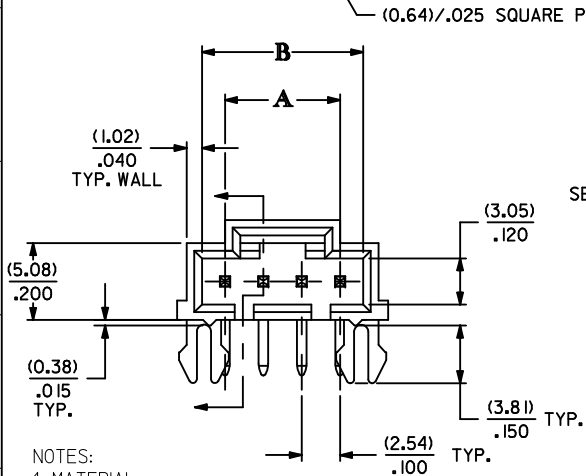


ALTERNATIVE CORING MANUFACTURER'S OPTION



CKT. SIZE	DIM. "A"		DIM. "B"		DIM. "C"		DIM. "Z"	
	MM	IN.	MM	IN.	MM	IN.	MM	IN.
2	2.54	.100	5.33	.210	5.08	.200	8.64	.340
3	5.08	.200	8.13	.320	7.62	.300	11.43	.450
4	7.62	.300	10.67	.420	10.16	.400	13.97	.550
5	10.16	.400	13.21	.520	12.70	.500	16.51	.650
6	12.70	.500	15.75	.620	15.24	.600	19.05	.750
7	15.24	.600	18.29	.720	17.78	.700	21.59	.850
8	17.78	.700	20.83	.820	20.32	.800	24.13	.950
9	20.32	.800	23.37	.920	22.86	.900	26.67	1.050
10	22.86	.900	25.91	1.020	25.40	1.000	29.21	1.150
11	25.40	1.000	28.45	1.120	27.94	1.100	31.75	1.250
12	27.94	1.100	30.99	1.220	30.48	1.200	34.29	1.350
13	30.48	1.200	33.53	1.320	33.02	1.300	36.83	1.450
14	33.02	1.300	36.07	1.420	35.56	1.400	39.37	1.550
15	35.56	1.400	38.61	1.520	38.10	1.500	41.91	1.650
16	38.10	1.500	41.15	1.620	40.64	1.600	44.45	1.750
17	40.64	1.600	43.69	1.720	43.18	1.700	46.99	1.850
18	43.18	1.700	46.23	1.820	45.72	1.800	49.53	1.950
19	45.72	1.800	48.77	1.920	48.26	1.900	52.07	2.050
20	48.26	1.900	51.31	2.020	50.80	2.000	54.61	2.150
21	50.80	2.000	53.85	2.120	53.34	2.100	57.15	2.250
22	53.34	2.100	56.39	2.220	55.88	2.200	59.69	2.350
23	55.88	2.200	58.93	2.320	58.42	2.300	62.23	2.450
24	58.42	2.300	61.47	2.420	60.96	2.400	64.77	2.650
25	60.96	2.400	64.01	2.520	63.50	2.500	67.31	2.750



- NOTES:
 1. MATERIAL:
 HOUSING: GLASS FILLED POLYESTER, UL94V-0
 COLOR: BLACK
 PIN MATERIAL: PHOSPHOR BRONZE
 2. HEADER TO BE USED WITH OPTION "G" 70400 AND 70430 SERIES SL CONNECTORS
 3. REFER TO MOLEX PRODUCT SPECIFICATION PS-70541
 4. STANDARD PACKAGING PER PK-70873-0015
 5. DIMENSIONS WITHOUT TOLERANCE ARE SHOWN FOR REFERENCE ONLY
 6. MEASURE POINT FOR PLATING THICKNESS

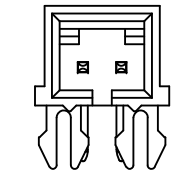
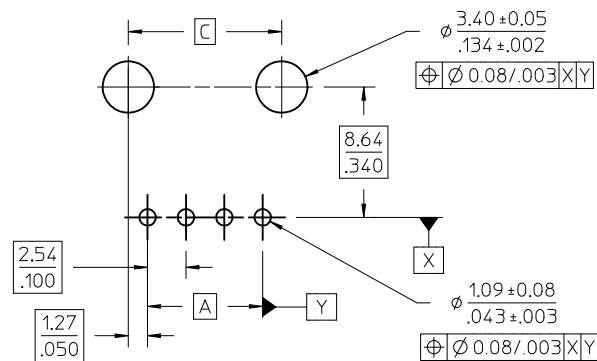
PLATING CODES:
 BRIGHT TIN - 3.81 MICROMETERS/150 MICROINCHES MINIMUM BRIGHT TIN PLATE OVER 1.27 MICROMETERS/50 MICROINCHES MINIMUM NICKEL PLATE

MATTE TIN - 3.81 MICROMETERS/150 MICROINCHES MINIMUM MATTE TIN PLATE OVER 1.27 MICROMETERS/50 MICROINCHES MINIMUM NICKEL PLATE

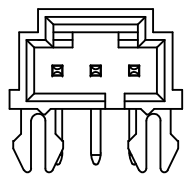
15 GOLD - 0.38 MICROMETERS/15 MICROINCHES MINIMUM GOLD PLATE IN SELECT AREA
 1.91 MICROMETERS/75 MICROINCHES MINIMUM MATTE TIN PLATE IN SELECT AREA OVER 1.27 MICROMETERS/50 MICROINCHES MINIMUM NICKEL PLATE OVERALL

30 GOLD - 0.76 MICROMETERS/15 MICROINCHES MINIMUM GOLD PLATE IN SELECT AREA
 1.91 MICROMETERS/75 MICROINCHES MINIMUM MATTE TIN PLATE IN SELECT AREA OVER 1.27 MICROMETERS/50 MICROINCHES MINIMUM NICKEL PLATE OVERALL

RECOMMENDED P.C. BOARD LAYOUT
 (FOR USE WITH (1.57)/.062 THICK BOARD)



2 CIRCUIT



3 CIRCUIT

ADD MATTE TIN OPT. EC NO: UCP2011-3045 DR:WMS/BARRA 2011/04/12 CHKD:DMORGAN APPR:SMILLER 2011/05/03	QUALITY SYMBOLS 	GENERAL TOLERANCES (UNLESS SPECIFIED)		DIMENSION STYLE		SCALE	DESIGN UNITS	THIRD ANGLE PROJECTION
		mm	INCH	MM/IN			INCH	
		4 PLACES ±---	±---	DRAWN BY	DATE	TITLE		
		3 PLACES ±---	±.005	AAB	1993/05/13	SL RIGHT ANGLE HEADER W/LATCH & SPLIT PEGS (2.54)/.100 CENTERS		
		2 PLACES ±0.13	±.010	CHECKED BY	DATE			
		1 PLACE ±0.25	±---	AAB	1993/05/13			
		ANGULAR ±1/2°		APPROVED BY	DATE			
		DRAFT WHERE APPLICABLE MUST REMAIN WITHIN DIMENSIONS		SMILLER	2010/11/23			
				MATERIAL NO.	DOCUMENT NO.			
				SEE TABLE				
				THIS DRAWING CONTAINS INFORMATION THAT IS PROPRIETARY TO MOLEX INCORPORATED AND SHOULD NOT BE USED WITHOUT WRITTEN PERMISSION				

J	ENGINEERING NUMBER A-70551							D		E		CONNECTOR END PLATING		P.C. BOARD END PLATING	
								TYPE	H MEAS.	TYPE	K MEAS.				
								BRIGHT TIN	(2,54) .100	BRIGHT TIN	(1,27) .050				
	-0001-0024							(3,30) .130	(6,10) .240	15 GOLD	(2,54) .100	TIN	(1,27) .050		
	-0036-0059							(3,30) .130	(6,10) .240	30 GOLD	(2,54) .100	TIN	(1,27) .050		
	-0071-0094							(3,30) .130	(6,10) .240	MATTE TIN	(2,54) .100	MATTE TIN	(1,27) .050		
	-3001-3003							(3,30) .130	(6,10) .240						

CKTS	ITEM NUMBER	ITEM NUMBER	ITEM NUMBER	ITEM NUMBER	ITEM NUMBER	ITEM NUMBER	ITEM NUMBER	ITEM NUMBER	CKTS
02	705-51-0001	705-51-0036	705-51-0071	70551-3001					02
03	705-51-0002	705-51-0037	705-51-0072						03
04	705-51-0003	705-51-0038	705-51-0073	70551-3003					04
05	705-51-0004	705-51-0039	705-51-0074						05
06	705-51-0005	705-51-0040	705-51-0075						06
07	705-51-0006	705-51-0041	705-51-0076						07
08	705-51-0007	705-51-0042	705-51-0077						08
09	705-51-0008	705-51-0043	705-51-0078						09
10	705-51-0009	705-51-0044	705-51-0079						10
11	705-51-0010	705-51-0045	705-51-0080						11
12	705-51-0011	705-51-0046	705-51-0081						12
13	705-51-0012	705-51-0047	705-51-0082						13
14	705-51-0013	705-51-0048	705-51-0083						14
15	705-51-0014	705-51-0049	705-51-0084						15
16	705-51-0015	705-51-0050	705-51-0085						16
17	705-51-0016	705-51-0051	705-51-0086						17
18	705-51-0017	705-51-0052	705-51-0087						18
19	705-51-0018	705-51-0053	705-51-0088						19
20	705-51-0019	705-51-0054	705-51-0089						20
21	705-51-0020	705-51-0055	705-51-0090						21
22	705-51-0021	705-51-0056	705-51-0091						22
23	705-51-0022	705-51-0057	705-51-0092						23
24	705-51-0023	705-51-0058	705-51-0093						24
25	705-51-0024	705-51-0059	705-51-0094						25

ADD -3001-3003 EC NO: UCP2011-3045 DRWN:MS BARRA 2011/04/12 CHKD:JORGAN APPR:SMILLER 2011/05/03	QUALITY SYMBOLS 	GENERAL TOLERANCES (UNLESS SPECIFIED)		DIMENSION STYLE MM/IN		SCALE 4:1	DESIGN UNITS INCH	THIRD ANGLE PROJECTION			
		4 PLACES ± --- ± ---	3 PLACES ± --- ± .005	2 PLACES ± 0.13 ± .010	1 PLACE ± 0.25 ± ---	DRAWN BY AAB	DATE 1993/05/13	SL RIGHT ANGLE HEADER W/LATCH & SPLIT PEGS (2.54)/.100 CENTERS			
		ANGULAR ±1/2°				CHECKED BY AAB	DATE 1993/05/13				
		DRAFT WHERE APPLICABLE MUST REMAIN WITHIN DIMENSIONS				SEE TABLE		APPROVED BY SMILLER	DATE 2010/11/23	MOLEX INCORPORATED	