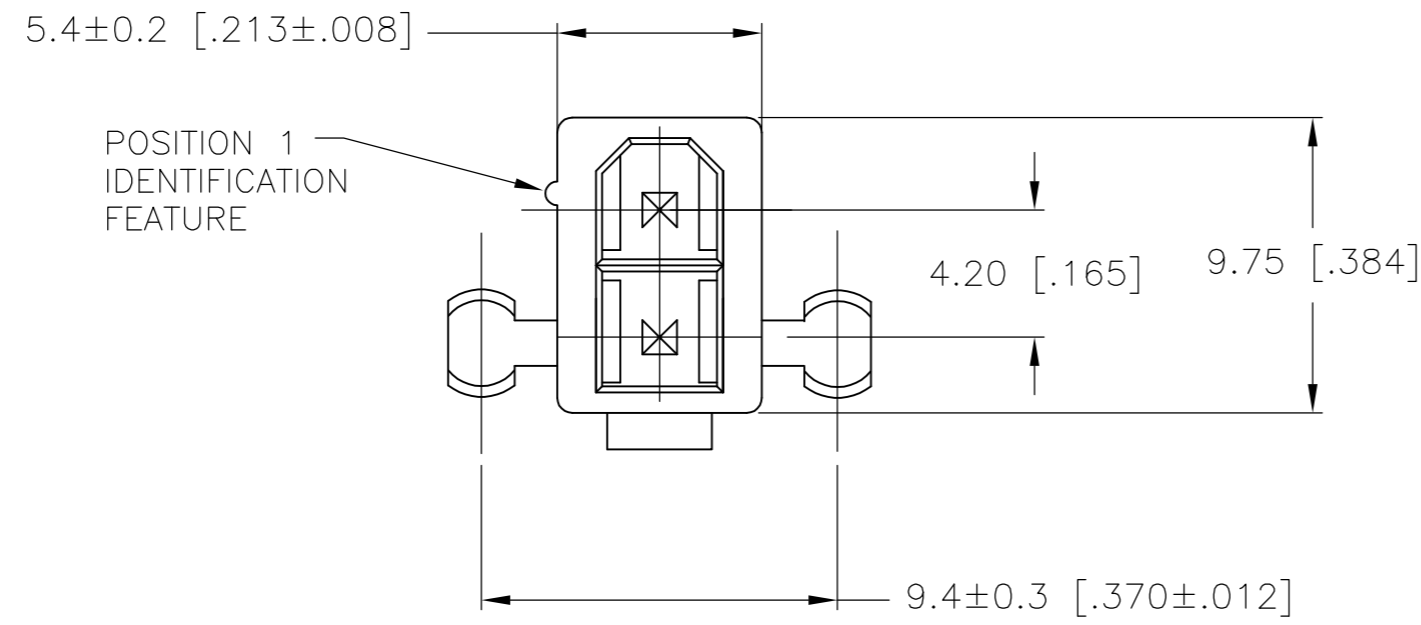
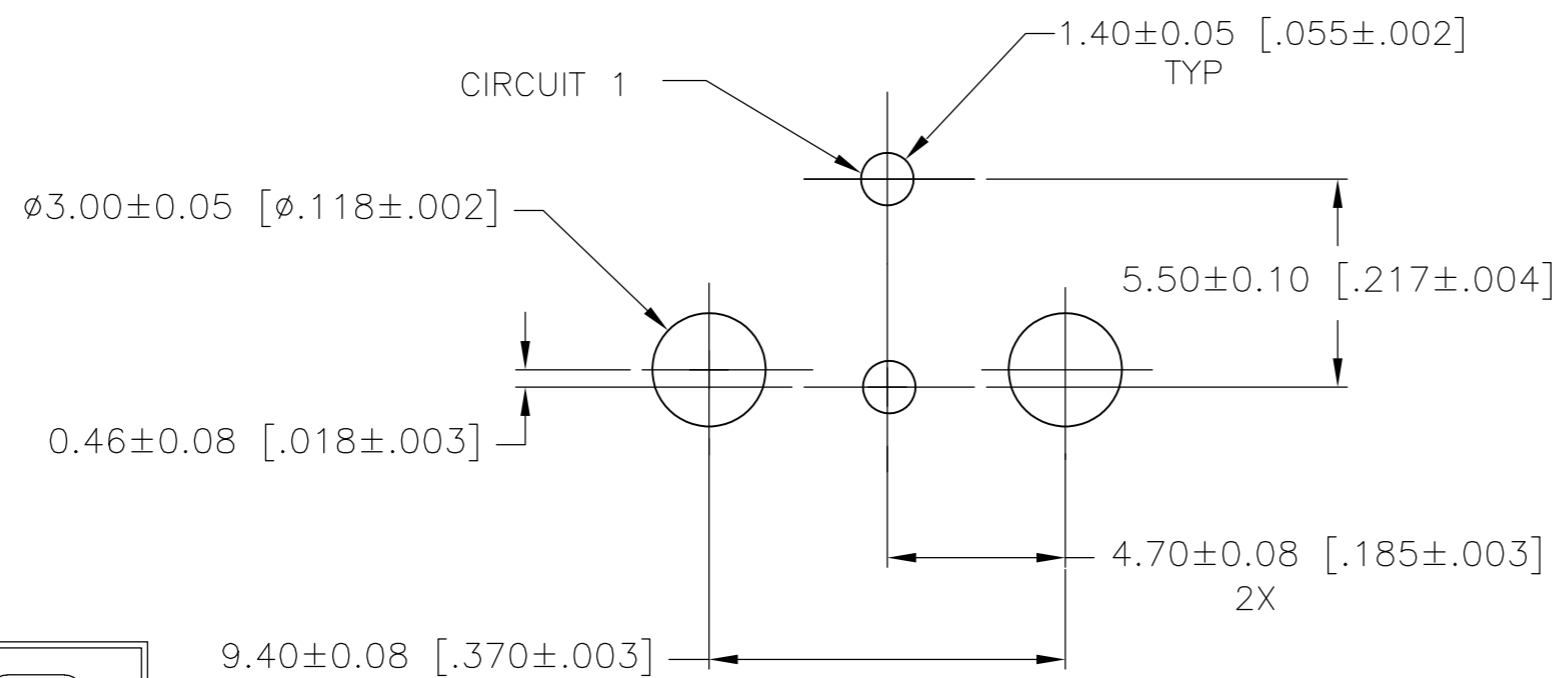
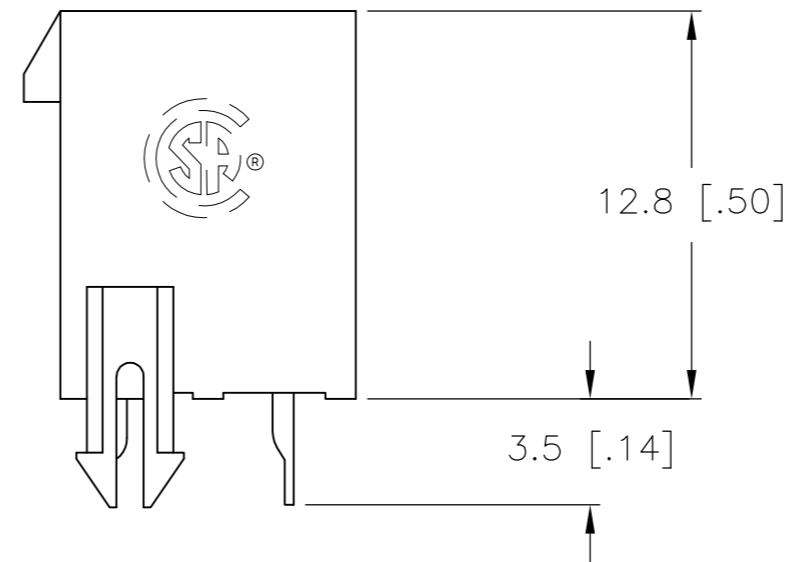
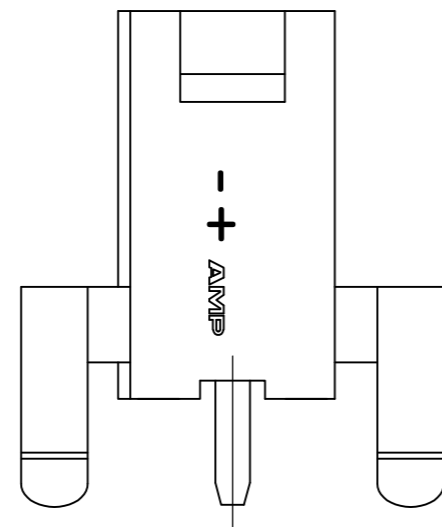
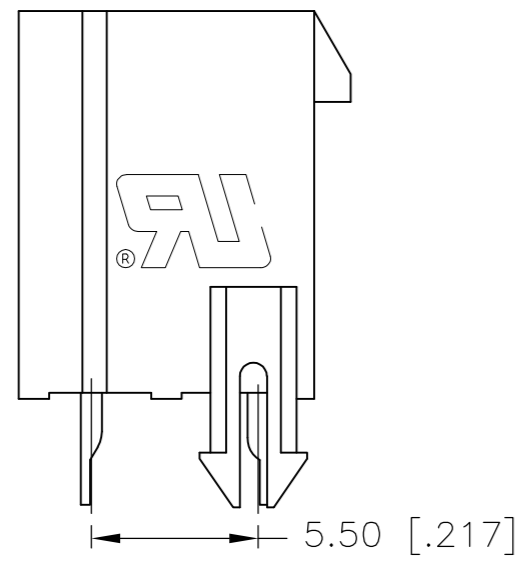


THIS DRAWING IS UNPUBLISHED. RELEASED FOR PUBLICATION
 © COPYRIGHT BY TYCO ELECTRONICS CORPORATION. ALL RIGHTS RESERVED.

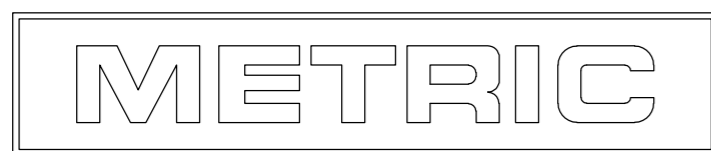
LOC	DIST	REVISIONS			
P	LTR	DESCRIPTION	DATE	DWN	APVD
CM	00	B	REVISED PER ECO-08-006888	24MAR08	HMR CC



1 MATERIAL: HOUSING: NYLON, UL94V-0, BLUE.
 CONTACTS: BRASS, TIN-PLATED.



1586742-1
 PART NUMBER



PCB LAYOUT: COMPONENT SIDE
 RECOMMENDED BOARD THICKNESS 1.78 [.070]

THIS DRAWING IS A CONTROLLED DOCUMENT.		DWN K. WHITAKER 06JAN2006	Tyco Electronics Corporation Harrisburg, PA 17105-3608	
DIMENSIONS: mm [INCHES]		CHK D. COLEY 06JAN2006	NAME D. COLEY 06JAN2006	
TOLERANCES UNLESS OTHERWISE SPECIFIED:		APVD D. COLEY 06JAN2006	PRODUCT SPEC	
0 PLC ±		APPLICATION SPEC		
1 PLC ±		WEIGHT		
2 PLC ± 0.5 [.02]		CUSTOMER DRAWING		
3 PLC ± 0.25 [.010]		SCALE 10:1		
4 PLC ± 0.150 [0059]		SHEET 1 of 1		
ANGLES ±		REV B		
FINISH		RESTRICTED TO		
MATERIAL		SIZE CAGE CODE DRAWING NO		
1		A2 00779 C=1586742		