

INDUSTRIAL-DUTY CABLE REELS



INDUSTRIAL-DUTY CABLE REELS ARE DESIGNED FOR THE MOST DEMANDING OF INDOOR/OUTDOOR INDUSTRIAL APPLICATIONS

Industrial-duty cable reels such as Pow-R-Mite® and Pow-R-Matic® are spring-powered reels made of precision electrical and mechanical components to accommodate up to 48.8m (160') of 16/3 AWG cable or up to 15.3m (50') of 6/3 AWG cable. Cable reels have NEMA-3 and NEMA-4 ratings for indoor and outdoor use to protect against water and corrosion for weather and dust resistance. Precision collector rings can be specified for up to 36 conductors.

FEATURES AND BENEFITS

| | |
|------------------------------|--|
| Containerized mainspring | Provides easy and safe replacement of mainspring |
| NEMA-3 and NEMA-4 enclosure | Provides personal protection against incidental contact; designed for indoor and outdoor use |
| Anti-lock-out ratchet system | Ensures user will never be locked out of a full cable extension |
| Modular collector rings | Enables easy replacement of collector rings |

APPLICATIONS

- Fire trucks
- Food and beverage
- Lifting magnets for cranes
- Movable equipment
- Overhead cranes
- Service vehicle
- Standard cranes
- Wastewater treatment

Cable Reels Industrial Duty Up to 50' Retraction Weight 4 lb

Reels



Features and Benefits

- NEMA 4 rating provides protection to water or dust, indoor and out
- Cable guide is adjustable every 5° over a 270° arc allowing for the exact configuration to suit the application
- Design prohibits annoying “lock-out” when cable is fully extended
- Containerized main spring allow for safe, simple handling and replacement
- Reels are constructed with spring tension to lift or stretch cable with no more than 10% sag

Reference Information

UL File No.: E22769
CSA File No.: LR29921



Electrical

Cord/Cable: SOW, 600V rated
Collector Ring Rating: 30A

Physical

Primary Cord Entry: 1" NPT
Construction: Cast Aluminum with yellow powder coat finish
Working End: Flying leads; ball stop not included
Ratchet Lock: Easily disengaged as needed
Tension: Easily adjusted
Junction Box: Large, easy-access
Spring: Containerized, easily replaceable

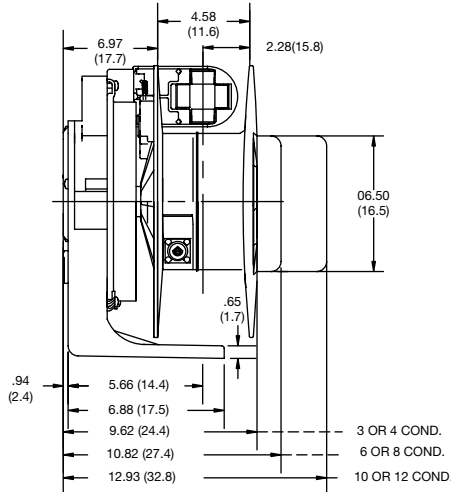
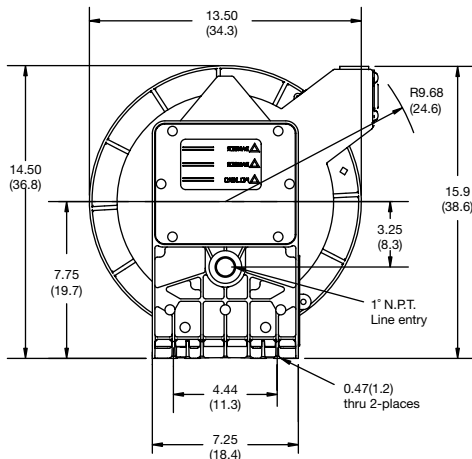
Environmental

NEMA Rating: NEMA 4

| Wire Gauge | Reel without Cable | | Conductors | Current | Cable Length | Woodhead No. | Order No. |
|------------|--------------------|-------------|------------|---------|----------------|--------------|-------------|
| | Reference No. | Cable Range | | | | | |
| 16 | 095105203 | up to 50' | 3 | 9A | 9.14m (30.0') | 9224 | 130083-0224 |
| | 095105203 | up to 50' | 3 | 9A | 15.24m (50.0') | 9228 | 130083-0225 |
| | 095105204 | up to 50' | 4 | 7A | 9.14m (30.0') | 9234 | 130083-0227 |
| | 095105204 | up to 50' | 4 | 7A | 15.24m (50.0') | 9238 | 130083-0228 |
| | 095105206 | up to 50' | 6 | 7A | 13.72m (45.0') | 9206 | 130083-0222 |
| | 095105208 | up to 38' | 8 | 6A | 11.58m (38.0') | 9208 | 130083-0223 |
| | 095106208 | 38-50' | 8 | 6A | 15.24m (50.0') | 92481 | 130083-0239 |
| | 095106210 | up to 40' | 10 | 5A | 9.14m (30.0') | 92401 | 130083-0229 |
| 14 | 095106212 | up to 40' | 12 | 5A | 9.14m (30.0') | 92411 | 130083-0231 |
| | 095105203 | up to 25' | 3 | 13A | 7.62m (25.0') | 9253 | 130083-0242 |
| | 095104203 | 25-50' | 3 | 13A | 15.24m (50.0') | 9358 | 130083-0249 |
| | 095104204 | up to 50' | 4 | 11A | 7.62m (25.0') | 9363 | 130083-0262 |
| | 095104204 | up to 50' | 4 | 11A | 13.72m (45.0') | 9367 | 130083-0263 |
| | 095104206 | up to 40' | 6 | 11A | 10.67m (35.0') | 9306 | 130083-0247 |
| | 095104208 | up to 20' | 8 | 8A | 6.10m (20.0') | 9308 | 130083-0248 |
| | 095106208 | 20-30' | 8 | 8A | 9.14m (30.0') | 92482 | 130083-0240 |
| 12 | 095106210 | up to 20' | 10 | 7A | 6.10m (20.0') | 92402 | 130083-0230 |
| | 095104203 | up to 35' | 3 | 18A | 7.62m (25.0') | 9383 | 130083-0264 |
| | 095104203 | up to 35' | 3 | 18A | 10.67m (35.0') | 9385 | 130083-0279 |
| | 095106203 | 35-50' | 3 | 18A | 15.24m (50.0') | 92433 | 130083-0232 |
| | 095104204 | up to 30' | 4 | 14A | 9.14m (30.0') | 9394 | 130083-0284 |
| | 095106204 | 30-40' | 4 | 14A | 12.19m (40.0') | 92443 | 130083-0234 |
| | 095106206 | up to 30' | 6 | 14A | 9.14m (30.0') | 92463 | 130083-0237 |
| | 095106208 | up to 20' | 8 | 12A | | | |
| 10 | 095105203 | up to 30' | 3 | 22A | 6.10m (20.0') | 9242 | 130084-0318 |
| | 095106203 | 30-40' | 3 | 22A | 12.19m (40.0') | 92434 | 130083-0233 |
| | 095106204 | up to 30' | 4 | 16A | 9.14m (30.0') | 92444 | 130083-0236 |
| | 095106206 | up to 20' | 6 | 14A | 6.10m (20.0') | 92464 | 130083-0238 |

Note: Use pivot base 9501

Reel Dimensions



Cable Reels Industrial Duty With Fluorescent Lights 13W



Features and Benefits

- NEMA 4 (reel only) rating provides protection to water or dust, indoor and out
- Cable guide is adjustable every 5° over a 270° arc allowing for the exact configuration to suit the application
- Design prohibits annoying “lock-out” when cable is fully extended
- Containerized main spring allow for safe, simple handling and replacement
- Rubber handle and butyrate guard mean a durable light and non-conductive guard
- Switch in handle and bulb included for ultimate convenience

Reference Information

UL File No.: E22769



Electrical

Cord/Cable: SOW, 600V rated
Collector Ring Rating: 30A

Physical

Primary Cord Entry: 1" NPT
Construction: Cast Aluminum with yellow powder coat finish
Working End: Has handlamp with ball stop included
Ratchet Lock: Easily disengaged as needed
Tension: Easily adjusted
Junction Box: Large, easy-access
Spring: Containerized, easily replaceable

Environmental

NEMA Rating: NEMA 4 (reel only)

| Cord Reel | Base Reel | | Cord Type | Cord Length | Cord Reel with Light | |
|-----------|--------------|-------------|-----------|----------------|----------------------|-------------|
| | Woodhead No. | Order No. | | | Woodhead No. | Order No. |
| | 9224 | 130083-0224 | 16/3 SOW | 9.14m (30.0') | 9224-86 | 130083-0767 |
| | 9228 | 130083-0225 | 16/3 SOW | 15.24m (50.0') | 9228-86 | 130083-0775 |

Cable Reels Industrial Duty With Incandescent Lights 100W Incandescent, 30W Low Volt Spot Light



1610S

106US

Features and Benefits

- NEMA 4 (except handlamp) rating provides protection to water or dust, indoor and out
- Cable guide is adjustable every 5° over a 270° arc allowing for the exact configuration to suit the application
- Design prohibits annoying “lock-out” when cable is fully extended
- Containerized main spring allow for safe, simple handling and replacement
- Handlamps have switch and convenience outlet on handle
- Spot light has switch and is wet location rated and low volt (12V) for added safety

Reference Information

UL File No.: E22769 (only 9228-106US)



Electrical

Cord/Cable: SOW, 600V rated
Collector Ring Rating: 30A

Physical

Primary Cord Entry: 1" NPT
Construction: Cast aluminum with yellow powder coat finish
Working End: Includes a ball stop and light, bulb not included (except for low voltage spot lights, which include a bulb)
Switch: Included on handle
Low Voltage Spot Light Version: Includes 125V to 12V transformer on primary side
Ratchet Lock: Easily disengaged as needed
Tension: Easily adjusted
Junction Box: Large, easy-access
Spring: Containerized, easily replaceable

Environmental

NEMA Rating: NEMA 4 (except handlamp)

| Cord Reel | Base Reel | | Cord Type | Cord Length | Light Fixture | Lamp Wattage | Convenience Outlet on Handle | Cord Reel with Light | |
|-----------|--------------|-------------|-----------|----------------|---------------|--------------|------------------------------|----------------------|-------------|
| | Woodhead No. | Order No. | | | | | | Woodhead No. | Order No. |
| | 9224 | 130083-0224 | 16/3 SOW | 9.14m (30.0') | 1610S | 30W | | 9224-1610S | 130083-0766 |
| | 9228 | 130083-0225 | 16/3 SOW | 15.24m (50.0') | 106US | 100W | NEMA 5-15 | 9228-106US | 130083-0772 |
| | | | 16/3 SOW | 15.24m (50.0') | 1610S | 30W | | 9228-1610S | 130083-0773 |
| | 9253 | 130083-0242 | 14/3 SOW | 7.62m (25.0') | 1610S | 30W | | 9253-1610S | 130083-0245 |
| | 9358 | 130083-0249 | 14/3 SOW | 15.24m (50.0') | 106US | 100W | NEMA 5-15 | 9358-106US | 130083-0250 |
| | | | 14/3 SOW | 15.24m (50.0') | 1610S | 30W | | 9358-1610S | 130083-0852 |

Cable Reels Industrial Duty With Power Accessories Connector, Duplex Outlet, GFCI Duplex



3000-1



3070-GFI



1547

Features and Benefits

- NEMA 4 (reel only) rating provides protection to water or dust, indoor and out
- Cable guide is adjustable every 5° over a 270° arc allowing for the exact configuration to suit the application
- Design prohibits annoying “lock-out” when cable is fully extended
- Containerized main spring allow for safe, simple handling and replacement
- Options from one to four outlets provide flexibility for many applications
- GFCI version provides added protection of personnel from electrical hazards associated with ground faults

Reference Information

UL File No.: E22769 (except reels with 3070-GFI)
CSA File No.: LR29921 (except 9253-3000 and reels with 3070-GFI)



Electrical


Cord/Cable: SOW, 600V rated
Collector Ring Rating: 30A

Physical

Primary Cord Entry: 1" NPT
Construction: Cast Aluminum with yellow powder coat finish
Working End: Includes a ball stop and connector or outlet box
Ratchet Lock: Easily disengaged as needed
Tension: Easily adjusted
Junction Box: Large, easy-access; easily replaceable spring

Environmental

NEMA Rating: NEMA 4 (reel only)

| Cord Reel | Base Reel | | Cord Type | Cord Length | Power Accessory | Outlet Type | Number of Outlets | GFCI Protected | Cord Reel with Accessory | |
|---|--------------|-------------|-----------|----------------|-----------------|-------------|-------------------|----------------|--------------------------|-------------|
| | Woodhead No. | Order No. | | | | | | | Woodhead No. | Order No. |
|  | 9253 | 130083-0242 | 14/3 SOW | 7.62m (25.0') | 3000-1 | NEMA 5-15 | 4 | | 9253-3000 | 130083-0246 |
| | 9358 | 130083-0249 | 14/3 SOW | 15.24m (50.0') | 1547 | NEMA 5-15 | 1 | | 9358-1547 | 130083-0252 |
| | | | 14/3 SOW | 15.24m (50.0') | 3070-GFI | NEMA 5-15 | 2 | Yes | 9358-3070G | 130083-0254 |
| | 9383 | 130083-0264 | 12/3 SOW | 7.62m (25.0') | 1547 | NEMA 5-15 | 1 | | 9383-1547 | 130083-0266 |
| | | | 12/3 SOW | 7.62m (25.0') | 3000-1 | NEMA 5-15 | 4 | | 9383-3000 | 130083-0269 |
| | | | 12/3 SOW | 7.62m (25.0') | 3070-GFI | NEMA 5-15 | 2 | Yes | 9383-3070G | 130083-0270 |
| | | | 12/3 SOW | 7.62m (25.0') | 1533 | NEMA 5-20 | 1 | | 9383-1533 | 130083-0265 |
| | | | 12/3 SOW | 7.62m (25.0') | 3080-10 | NEMA 5-20 | 4 | | 9383-3080 | 130083-0271 |
| | 9385 | 130083-0279 | 12/3 SOW | 10.67m (35.0') | 3080-10 | NEMA 5-20 | 4 | | 9385-3080 | 130083-0280 |
| | | | 12/3 SOW | 15.24m (50.0') | 1547 | NEMA 5-15 | 1 | | 92433-1547 | 130083-0782 |
| | 92433 | 130083-0232 | 12/3 SOW | 15.24m (50.0') | 3000-1 | NEMA 5-15 | 4 | | 92433-3000 | 130083-0784 |
| | | | 12/3 SOW | 15.24m (50.0') | 3070-GFI | NEMA 5-15 | 2 | Yes | 92433-3070G | 130083-0786 |
| | | | 12/3 SOW | 15.24m (50.0') | 1533 | NEMA 5-20 | 1 | | 92433-1533 | 130083-0781 |
| | | | 12/3 SOW | 15.24m (50.0') | 3080-10 | NEMA 5-20 | 4 | | 92433-3080 | 130083-0787 |
| | 92434 | 130083-0233 | 10/3 SOW | 12.19m (40.0') | 3080-10 | NEMA 5-20 | 4 | | 92434-3080 | 130083-0913 |

Cable Reels

Heavy Duty

20 to 70'

Retraction Weight 4 lb



Features and Benefits

- Containerized main spring allow for safe, simple handling and replacement
- Reels are constructed with spring tension to lift or stretch cable with no more than 10% sag

Electrical

Cord/Cable: SOW and Type W, 600V rated
 Collector Ring Rating: 30A for AWG sizes 10-16
 Collector Ring Rating: 75A for AWG sizes 6 and 8

Reference Information

CSA File No.: LR29921



Physical

Construction: Steel with yellow powder coat finish
 Ball Bearings: Bronze
 Working End: Flying leads; ball stop not included
 Ratchet Lock: Easily disengaged as needed
 Tension: Easily adjusted
 Junction Box: Large, easy-access
 Spring: Containerized, easily replaceable
 Cable Type: SOW for 10-16 AWG
 Type W for 6 and 8 AWG

Environmental

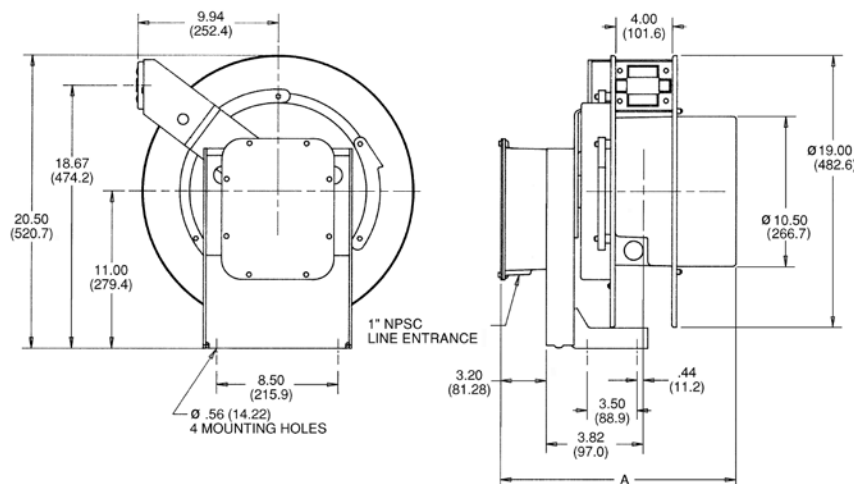
NEMA Rating: NEMA 3

B
Reels

| Wire Gauge | Reels without Cable | | Conductors | Current | Cable Length | Woodhead No. | Order No. |
|------------|---------------------|-------------|------------|---------|----------------|--------------|-------------|
| | Reference No. | Cable Range | | | | | |
| 16 | 10511303G0L000 | up to 70' | 3 | 10A | 21.34m (70.0') | 92531N | 130084-0129 |
| | 10511304G0L000 | up to 70' | 4 | 8A | 21.34m (70.0') | 92541N | 130084-0138 |
| | 10511306G0L000 | up to 70' | 6 | 8A | 21.34m (70.0') | 92561N | 130084-0146 |
| | 10511308G0L000 | up to 70' | 8 | 7A | 21.34m (70.0') | 92581N | 130084-0150 |
| | 10511310G0L000 | up to 50' | 10 | 5A | 15.24m (50.0') | 92501AN | 130084-0119 |
| | 10511312G0L000 | up to 50' | 12 | 5A | 15.24m (50.0') | 92511AN | 130084-0121 |
| 14 | 10511303G0L000 | up to 70' | 3 | 15A | 21.34m (70.0') | 92532N | 130084-0131 |
| | 10511304G0L000 | up to 70' | 4 | 12A | 21.34m (70.0') | 92542N | 130084-0139 |
| | 10511306G0L000 | up to 50' | 6 | 12A | 15.24m (50.0') | 92562AN | 130084-0147 |
| | 10512306G0L000 | 50-70' | 6 | 12A | 21.34m (70.0') | 92562BN | 130084-0148 |
| | 10512308G0L000 | up to 60' | 8 | 10A | 18.29m (60.0') | 92582N | 130084-0151 |
| | 10512310G0L000 | up to 50' | 10 | 7A | 15.24m (50.0') | 92502N | 130084-0120 |
| | 10511312G0L000 | up to 30' | 12 | 7A | 6.10m (20.0') | 92512AN | 130084-0123 |
| | 10512312G0L000 | 30-40' | 12 | 7A | 12.19m (40.0') | 92512BN | 130084-0124 |
| | 10511303G0L000 | up to 70' | 3 | 20A | 21.34m (70.0') | 92533N | 130084-0132 |
| | 10511304G0L000 | up to 60' | 4 | 16A | 18.29m (60.0') | 92543N | 130084-0140 |
| 12 | 10512306G0L000 | up to 60' | 6 | 14A | 18.29m (60.0') | 92663 | 130084-0155 |
| | 10512308G0L000 | up to 50' | 8 | 14A | 15.24m (50.0') | 92583N | 130084-0152 |
| | 10512303G0L000 | up to 70' | 3 | 25A | 21.34m (70.0') | 92534N | 130084-0133 |
| | 10512304G0L000 | up to 70' | 4 | 20A | 15.24m (50.0') | 92544AN | 130084-0141 |
| 10 | 10512304G0L000 | up to 70' | 4 | 20A | 21.34m (70.0') | 92544BN | 130084-0142 |
| | 10513306G0L000 | up to 50' | 6 | 20A | 15.24m (50.0') | 92564N | 130084-0149 |
| | 10511403G0L000 | up to 30' | 3 | 35A | 9.14m (30.0') | 92535AN | 130084-0134 |
| | 10512403G0L000 | 30-50' | 3 | 35A | 15.24m (50.0') | 92535BN | 130084-0135 |
| 8 | 10511404G0L000 | up to 20' | 4 | 28A | 6.10m (20.0') | 92545AN | 130084-0143 |
| | 10513404G0L000 | 30-40' | 4 | 28A | 12.19m (40.0') | 92545BN | 130084-0144 |
| | 1051340200L000 | 40-50' | 2 | 45A | 15.24m (50.0') | 92526BN | 130084-0128 |
| | 10513403G0L000 | up to 30' | 3 | 45A | 9.14m (30.0') | 92536N | 130084-0136 |
| 6 | 10513404G0L000 | up to 30' | 4 | 36A | 6.10m (20.0') | 92546N | 130084-0145 |

Note: Use pivot base 9503

Heavy Duty Cable Reel Dimensions, 20 to 70'



1000 Series Reel

| Woodhead Series No. Without Cable | Dimension A | Weight (without Cable) |
|-----------------------------------|----------------|------------------------|
| 1051-x-303 | 423mm (16.67") | 81 lb |
| 1051-x-304 | 423mm (16.67") | 81 lb |
| 1051-x-306 | 423mm (16.67") | 82 lb |
| 1051-x-308 | 479mm (18.84") | 82 lb |
| 1051-x-310 | 479mm (18.84") | 83 lb |
| 1051-x-312 | 479mm (18.84") | 83 lb |
| 1051-x-402 | 423mm (16.67") | 81 lb |
| 1051-x-403 | 423mm (16.67") | 81 lb |
| 1051-x-404 | 479mm (18.84") | 82 lb |

Cable Reels Heavy Duty 40 to 160' Retraction Weight 7 lb

Reels



Features and Benefits

- Containerized main spring allow for safe, simple handling and replacement
- Reels are constructed with spring tension to lift or stretch cable with no more than 10% sag

Reference Information

CSA File No.: LR29921



Electrical

Cord/Cable: SOW and Type W, 600V rated
Collector Ring Rating: 30A for AWG sizes 10-16
Collector Ring Rating: 75A for AWG sizes 6 and 8

Physical

Construction: Steel with yellow powder coat finish
Ball Bearings: Bronze
Working End: Flying leads; ball stop not included
Ratchet Lock: Easily disengaged as needed
Tension: Easily adjusted
Junction Box: Large, easy-access
Spring: Containerized, easily replaceable
Cable Type: SOW for 10-16 AWG,
Type W for 6 and 8 AWG

Environmental

NEMA Rating: NEMA 3R

| Wire Gauge | Reels without Cable | | Conductors | Current | Cable Length | Woodhead No. | Order No. |
|------------|---------------------|-------------|------------|---------|-----------------|--------------|-------------|
| | Reference No. | Cable Range | | | | | |
| 16 | 11431030360L | up to 115' | 3 | 9A | 35.05m (115.0') | 92631* | 130085-0359 |
| | 11431030661L | up to 100' | 6 | 7A | 30.48m (100.0') | 92661* | 130085-0365 |
| | 11431030861L | up to 95' | 8 | 6A | 28.96m (95.0') | 92681* | 130085-0366 |
| 14 | 11431030361L | up to 110' | 3 | 13A | 33.53m (110.0') | 92632* | 130085-0360 |
| | 11431030461L | up to 110' | 4 | 11A | 33.53m (110.0') | 92642* | 130085-0363 |
| | 11650530461L | 110-160' | 4 | 11A | 48.77m (160.0') | 92742† | 130085-0373 |
| | 11650530662L | up to 115' | 6 | 11A | 35.05m (115.0') | 92762† | 130085-0379 |
| | 11650530862L | up to 90' | 8 | 8A | 27.43m (90.0') | 92782† | 130085-0381 |
| | 11650531063L | up to 60' | 10 | 7A | 18.29m (60.0') | 92702† | 130085-0367 |
| | 11650531263L | up to 60' | 12 | 6A | 18.29m (60.0') | 92712† | 130085-0368 |
| 12 | 11431030361L | up to 95' | 3 | 18A | 28.96m (95.0') | 92633* | 130085-0361 |
| | 11650530361L | 95-160' | 3 | 18A | 48.77m (160.0') | 92733† | 130085-0370 |
| | 11431030462L | up to 80' | 4 | 14A | 24.38m (80.0') | 92643* | 130085-0364 |
| | 11650530462L | 80-140' | 4 | 14A | 42.67m (140.0') | 92743† | 130085-0374 |
| | 11650530863L | up to 60' | 8 | 12A | 18.29m (60.0') | 92783† | 130085-0382 |
| 10 | 11650530462L | up to 120' | 4 | 16A | 36.58m (120.0') | 92744† | 130085-0375 |
| | 11650530663L | up to 85' | 6 | 14A | 25.91m (85.0') | 92764† | 130085-0025 |
| 8 | 11650540364L | up to 85' | 3 | 35A | 25.91m (85.0') | 92735† | 130085-0905 |
| | 11650540465L | up to 60' | 4 | 32A | 18.29m (60.0') | 92745† | 130085-0376 |
| | 11650540214L | up to 65' | 2 | 55A | 19.81m (65.0') | 92726† | 130085-0949 |
| 6 | 11650540365L | up to 50' | 3 | 45A | 15.24m (50.0') | 92736† | 130085-0372 |
| | 11650540466L | up to 40' | 4 | 44A | 12.19m (40.0') | 92746† | 130085-0377 |

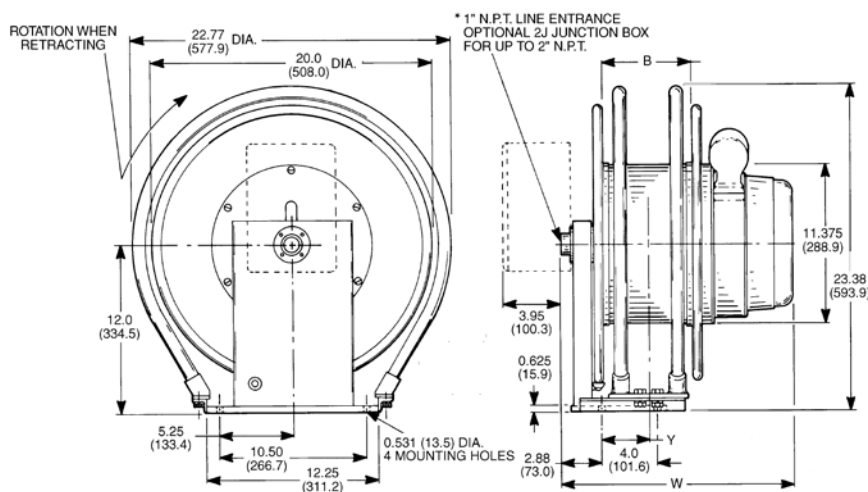
* Use pivot base 9504

† Use pivot base 9505

Pivot Base

| Reel Series | Woodhead No. | Order No. |
|-----------------|--------------|-------------|
| 9200/9300/92400 | 9501 | 130226-1600 |
| 92500 | 9503 | 130226-1601 |
| 92600 | 9504 | 120226-1602 |
| 92700 | 9505 | 130086-0177 |

Heavy Duty Cable Reel Dimensions, 40 to 160'



1100 Series Reel

| Woodhead Series No. Without Cable | Dimension W | Weight (without Cable) |
|-----------------------------------|------------------|------------------------|
| 1143-xx-303 | 416.1mm (16.38") | 138 lb |
| 1143-xx-304 | 416.1mm (16.38") | 138 lb |
| 1143-xx-306 | 466.9mm (18.38") | 139 lb |
| 1143-xx-308 | 466.9mm (18.38") | 140 lb |
| 1143-xx-402 | 466.9mm (18.38") | 139 lb |
| 1165-xx-303 | 527.1mm (20.75") | 188 lb |
| 1165-xx-304 | 527.1mm (20.75") | 188 lb |
| 1165-xx-306 | 577.9mm (22.75") | 189 lb |
| 1165-xx-308 | 577.9mm (22.75") | 190 lb |
| 1165-xx-310 | 628.9mm (24.75") | 191 lb |
| 1165-xx-312 | 628.9mm (24.75") | 192 lb |
| 1165-xx-402 | 577.9mm (22.75") | 189 lb |
| 1165-xx-403 | 577.9mm (22.75") | 189 lb |
| 1165-xx-404 | 577.9mm (22.75") | 190 lb |

Technical Information

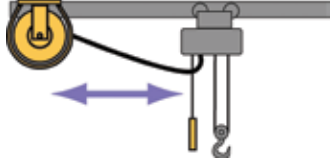
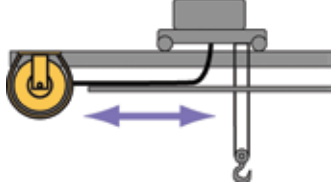
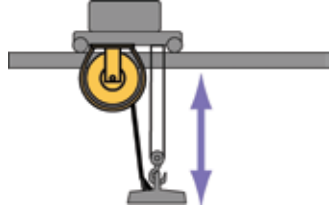
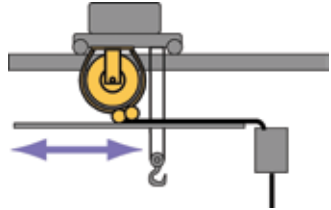
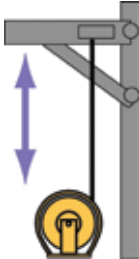
Reels

Woodhead® Industrial Cable reels are designed for top performance, long life, and easy maintenance. Series 9200, 9300, and 92400 are perfect for mobile electrical equipment, portable lighting, or hand-held power tools, and can handle cord lengths up to 50'. For longer cord lengths and heavier gauge cord, our 92500, 92600, and 92700 cord reels are available and are ideal for hoists, large electric tools, and moving equipment. All of our industrial reels are suitable for vertical lift, vertical recovery, and drag applications. We also have reels which have the correct spring tension for horizontal stretch and

recovery applications. Where minimum cable sag is not critical, our industrial cord reels can be used for stretch service where an expected cable sag at mid-point of 10% is allowable.

Applications

Cord reel applications include horizontal stretch, drag, vertical lift, recovery, and vertical recovery. Different applications require different variations in spring tension for optimal performance. Definition of cord reel applications are below.

| | |
|--|---|
| <p>Horizontal Stretch Cable is suspended in the air, supported at both ends. The tension must accommodate about twice the total weight of the cable to maintain an acceptable 6% sag.</p> |  |
| <p>Drag The reel is mounted in a permanent location. Cable is dragged over surface to and from fixed mounted reel. The tension required is about the same as the lift application.</p> |  |
| <p>Vertical Lift Reel is mounted overhead. Cable pays out downward and is retracted up via spring power. Reel must have enough tension to lift the total weight of the cable and any additional weight attached to it, e.g., pendant station, cable overhang.</p> |  |
| <p>Recovery Mounted on a moving carrier, reel picks up cable from stationary base. The closer the reel is to the recovery surface, the less tension is required.</p> |  |
| <p>Vertical Recovery Base mounted reel pays out cable upward. The reel is required only to recover the cable on the spool, as the cable moves downward. Minimal tension is needed to recover cable into the reel.</p> |  |

Cable Reels Customization Capabilities

B
Reels



Convenience Package Option

For reels used in critical processes, where downtime must be held to an absolute minimum, or where high labor costs make it necessary to minimize installation time, you can choose a reel with a convenience package (formerly referred to as Mill Duty) for reels in our 2000 through 2800 series. Convenience package includes:

- Two junction boxes which provide quick, easy access for all working and lead-in cable connections
- Quick-change spring motors allow the spring motor to be changed in moments
- Fast-tensioning end plate is designed so that set-up and tensioning of a reel can be completed in seconds, reducing downtime to a minimum

As shown on the previous pages, our standard catalog reels can handle up to 160' of cable, depending on the gauge and conductor count. We also offer several more frame sizes of reels that can be fitted with the exact amount and type of cable you require.

Reels For Hazardous Locations

Reels in our 1100 through 2800 series are available with enclosures designed to comply with requirements as defined in the National Electrical Code for equipment used in classified locations. Features include:

- Class I, Division 1, Group C & D
- Class II, Division 1, Group E, F & G
- Class III, Division 1, Outdoor hazardous locations
- Fully enclosed junction boxes with connecting leads

Features and Benefits

- Frames can accommodate up to 250' of 16 AWG cable or up to 160' of 1 AWG cable
- Precision collector rings can be specified for up to 36 conductors
- All reels are custom made to fit your needs and are available with or without cable installed
- NEMA 3 and NEMA 4 enclosures (depending on the frame size)
- Anti-lock-out ratchet design for reels with ratchet
- Silver-plated rings and brushes available for low-level signals

How To Order A Custom Reel

Simply complete the Cable Reel RFQ on the next page and submit to our Technical Support group. They will typically respond with a quote within 24 hours.

Cable Reel RFQ

| | | |
|--------------------------------|--|---|
| Customer: _____ | | Contact: _____ |
| Address: _____ | | E-mail: _____ |
| City: _____ | State: _____ Zip: _____ | Phone: _____ |
| Today's Date: _____ | Quote Needed By: _____ | Fax: _____ |
| Projected Purchase Date: _____ | | |
| 1. | System Quantity | |
| 2a. | Where will reel(s) be mounted? | |
| 2b. | Is reel for manual pullout or hooked to a machine for automated use? | |
| 2c. | If for automated use, is it a lift, stretch, recover or drag application? | |
| 3a. | Ambient conditions (in-/outdoors, dust, humidity, corrosive elements, explosion hazard, etc.). For hazardous reels the location designation is needed. | |
| 3b. | Ambient temperature change. | Max. _____ °F Min. _____ °F |
| 4a. | What is the total travel? | _____ (meters or feet) |
| 4b. | How many conductors? What amperage and voltage rating? | |
| 4c. | Has a cable AWG size been picked? | |
| 4d. | Will cable be supplied or will the customer supply their own? If customer will supply, then supply cable OD and weight is needed. | |
| 4e. | May a special cable (premium type) be needed due to the application? | |
| 5 | Expected duty? (Severe, Heavy, Moderate, Light) | |
| 6 | If manual pull out, are there end of cable options like, outlet box, hand lamps, or plugs which need to be quoted? Is customer going to install their own end of cable option? If so, then we need to know the part weight. If manual pull-out, a roller guide and cable stop will be quoted if not part of the standard reel. | |
| 7. | Might a pivot base be needed or considered to reduce cable reel size? | |
| 8. | Include a single eye cable grip? | |
| 9. | On some models we can consider special convenience options like junction boxes and/or fast-tensioning plates, which shorten repair time. Might these features have value for the application? | |
| 10. | Maximum speed? | _____ fpm |
| 11. | Any mounting space limitations? | Width _____ Height _____ Depth _____ |
| 12. | Additional relevant information pertaining to the selection of your cable reel? (past issues with other reels, etc.) | |
| 13. | Do you require additional data with the quotation? | _____ Installation/Service Manual _____ Catalog _____ Drawings (CAD?) |
| 14. | Send information to Molex | Fax: 1 847 883 8732 Email: witechsup@molex.com |