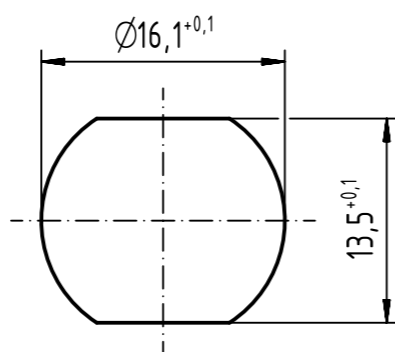
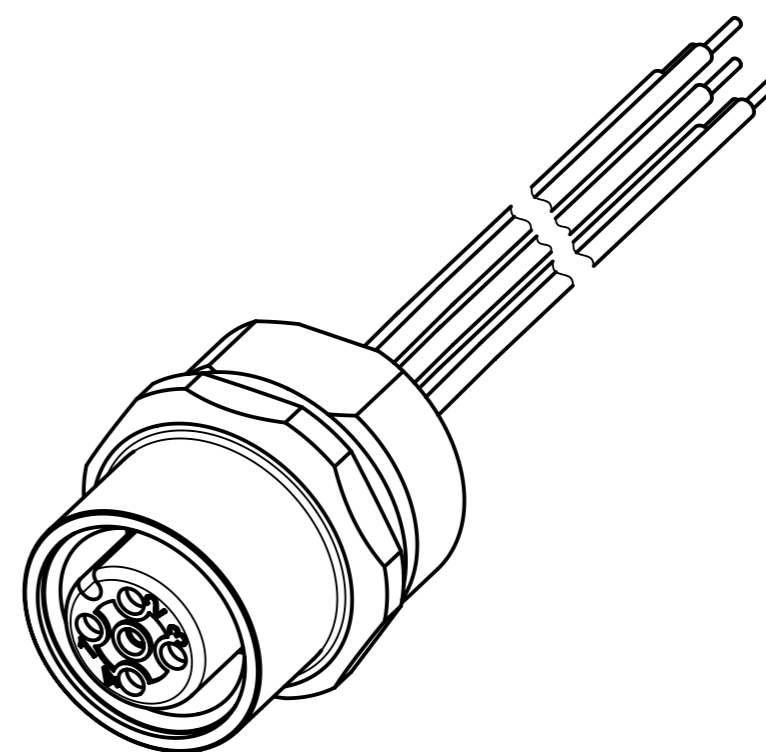


- Loading-Plan:
- 1 brown
 - 2 white
 - 3 blue
 - 4 black
 - 5 green-yellow

Recommended panel cut-out



Minimum wall thickness 1.5mm



- Protection level: IP67
- Temperature range: -30°C ... +80°C

1		2		3		4		5		6		7		8	
1		21033176505		AWG 24, PVC		0.5		All rights reserved Department EC PD - RO		Scale 2:1 Free size tol.		Ref. Sub.			
Cont. No.		Part - no.		Type of cable		Dim. a[m]		HARTING Electronics GmbH D-32339 Espelkamp		Created by TAMAS Inspected by AVRAM Standardisation HOFFMANN		Date 2014-08-25 State Final Release		Doc-Key / ECM-Nr. 100581416/UGD/009/B 50000079096	
								Title M12 A-coded Cable Assembly Type TB		Number 210331765XX		Rev. B		Page 1/1	