

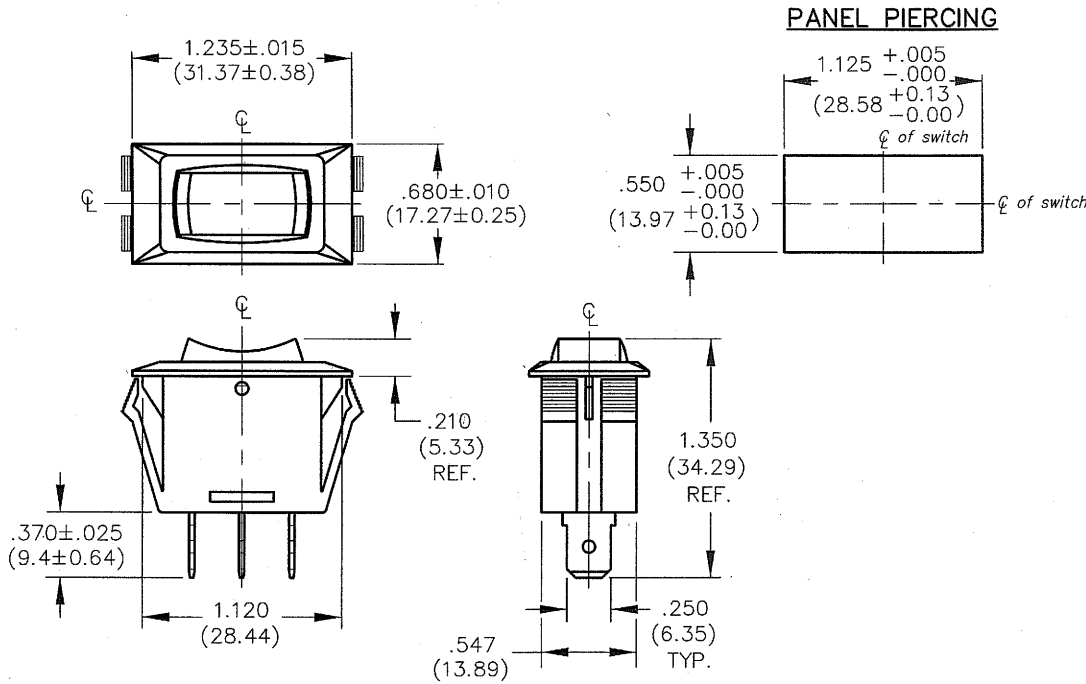
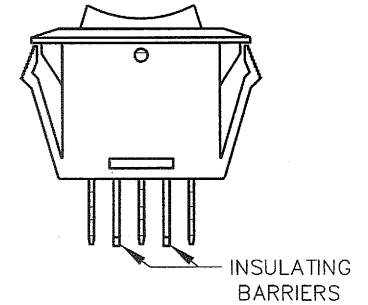
THIS INFORMATION IS CONFIDENTIAL AND PROPRIETARY TO CW INDUSTRIES INCORPORATED AND ITS AFFILIATES. IT MAY NOT BE DISCLOSED TO ANYONE OTHER THAN CW INDUSTRIES PERSONNEL, WITHOUT WRITTEN AUTHORIZATION FROM CW INDUSTRIES INCORPORATED, SOUTHAMPTON, PENNSYLVANIA USA.

DIMENSIONS IN INCHES (MILLIMETERS)  
DO NOT SCALE DRAWING .....

Dwg. No.  
**GRS-2013B-XXXX**

**PANEL THICKNESS**  
.025" to .180"  
(0.64mm to 4.57mm)

OPTIONAL BARRIERS:



1 2 3 4 5 6 7 8 9 10

B-FORMAT 2002	<b>REVISIONS</b>	0
	RELEASED:	28-2010
	DGW	Oct 25 2010

PDF FILE MADE	<b>CW INDUSTRIES</b> Southampton, Pa. 18966		Title: <b>CENTER OFF ROCKER SWITCH WITH OPTIONS</b>
	TOLERANCES UNLESS OTHERWISE SPECIFIED		
	2 Place Decimal ±.010	METRIC	S.P.D.T. (MOM-OFF-ON)
	3 Place Decimal ±.005	1 Place Dec. ±.25mm	1.125 x .550 PANEL
	Angles ..... ±1°	2 Place Dec. ±.13mm	
Made for:	CW IND.		Division: <b>SWITCH</b>
Drawn by:	DCW 7-28-2010		Dwg. No.
Checked by:	G. Gold 8-16-10		<b>GRS-2013B-XXXX</b>
Approval:	<i>[Signature]</i>		

**MASTER**