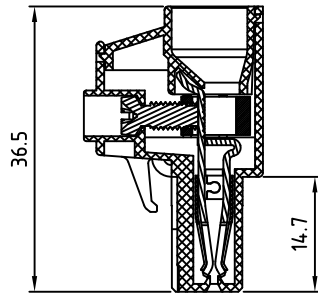
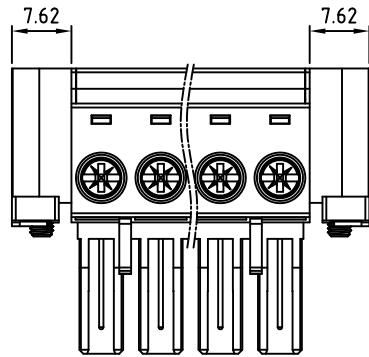
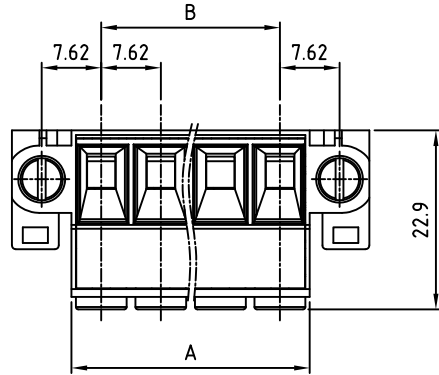


SIGN	DATE	DESCRIPTION	APPROVER
		<i>THIS IS CAD DRAWING, DO NOT REVISE MANUALLY!!!</i>	



- Material:
- Insulator(housing): Thermoplastic (UL94V-0)
 - Terminal Body: Brass
 - Contact: PhBz.
 - Wire guard: Stainless steel
 - Terminal Screw: Steel zinc plated.
 - Flange Screw: Copper Alloy, Ni plated.

- Electrical: UL
- Voltage rating: 300 V
 - Current rating: 32 A
 - Wire range:
 - Solid wire(AWG): 8-24
 - Stranded wire(AWG): 8-24
 - Torque: 7 Lb-in
 - Screw: M3.5
 - Wire strip length: 7-8 mm
 - Withstanding Voltage: 2.2KV
 - Operating temperature: -33°C to +105°C
 - Safety Approval:

RoHS Compliant

PART NUMBER:

OSTETXX0252

- | | |
|--------------|---------------------|
| No. of Poles | COLOR |
| 02 2 Poles | 0: Black |
| 03 3 Poles | 5: Green (Standard) |
| ... | 6: Blue |
| 16 16 Poles | 8: Grey |

POLE		2	3	4	5	6	7	8
A		15.24	22.86	30.48	38.10	45.72	53.34	60.96
B		7.62	15.24	22.86	30.48	38.10	45.72	53.34
Tol.		±0.10			±0.15			
POLE	9	10	11	12	13	14	15	16
A	68.58	76.20	83.82	91.44	99.06	106.68	114.30	121.92
B	60.96	68.58	76.20	83.82	91.44	99.06	106.68	114.30
Tol.		±0.20			±0.30			



TITLE		OSTET-7.62 W/Flange Series (Mated with OSTVC series)					
PART NO.		OSTETXX0252			DWG NO.		OSTETXX0252.DWG
APPROVED		CHECKED	DESIGNED	DRAWN	CUST NO.		Tolerance
			Tony 2007.03.09	Tony 2007.03.09			X. ±0.50
							X.X ±0.30
							X.XX ±0.10
							X° ±1°
					SHEET: 01/01		REV: A