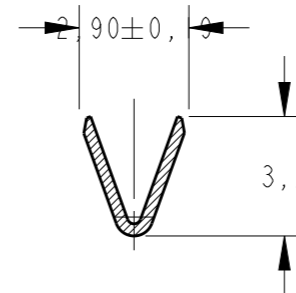
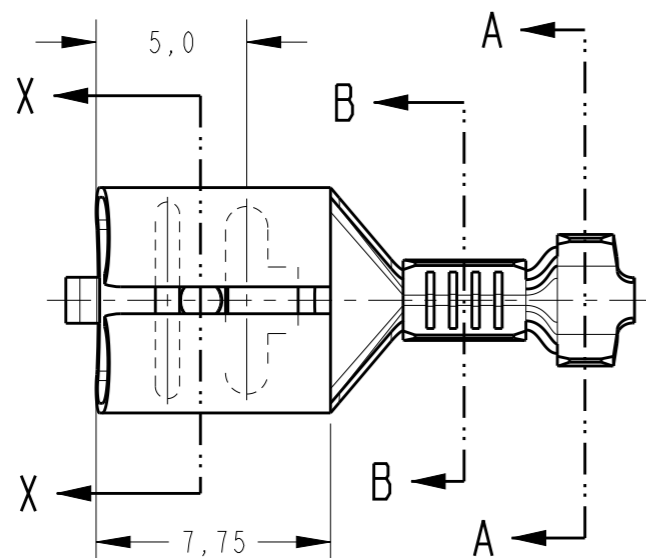


LOC
AP

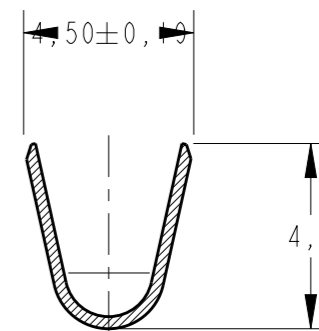
DIST
-

REVISIONS

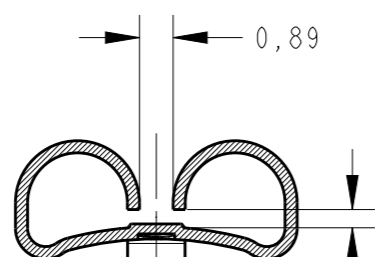
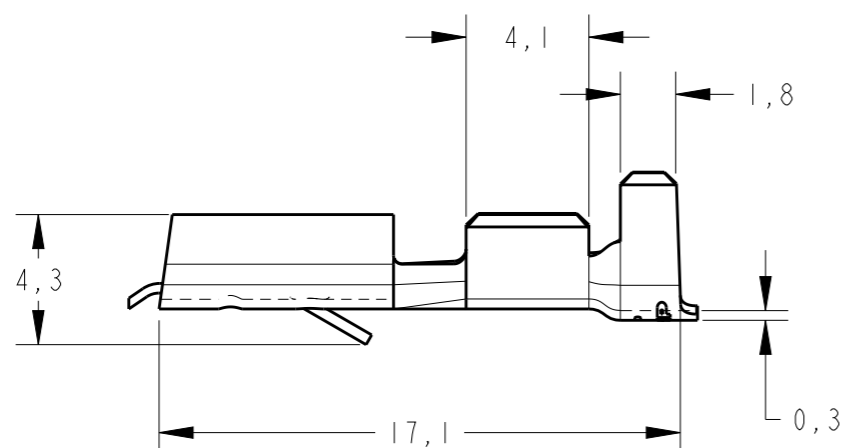
P	LTR	DESCRIPTION	DATE	DWN	APVD
J2		REDRAW BY CAD ECO-12-014149	27AUG2012	NCL	DAO
J3		REVISED BY ECO 16-003725	23JUN2016	HC	WLS



SECTION B-B
SCALE 5:1

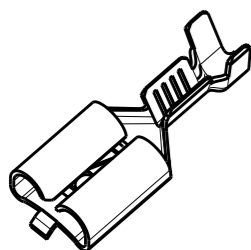


SECTION A-A
SCALE 5:1



SECTION X-X
SCALE 5:1

PARA LINGUETA
DE 0,8mm ESPESSURA



PERSPECTIVE VIEW
SCALE 2:1

OBSOLETE		BRONZE FOSFOROSO	626094 -6
OBSOLETE	PRATEADO	LATÃO / BRASS	626094 -5
OBSOLETE	ESTANHADO / TIN PLATED	LATÃO / BRASS	626094 -4
OBSOLETE		BRONZE FOSFOROSO	626094 -3
	ESTANHADO / TIN PLATED	LATÃO / BRASS	626094 -2
		LATÃO / BRASS	626094 -1
	FINISH	MATERIAL	PART NUMBER

INS. RANGE	WIRE RANGE
∅2,28-3,30mm	>0,50-1,00mm ²

THIS DRAWING IS A CONTROLLED DOCUMENT.		DWN NCLAPRESA 12JUL2012	TE Connectivity					
		CHK JRGOLDSCHMIDT 12JUL2012						
DIMENSIONS: mm		APVD DAOLIVEIRA 12JUL2012	NAME -					
TOLERANCES UNLESS OTHERWISE SPECIFIED: 0 PLC ±0,3 1 PLC ±0,3 2 PLC ±0,3 3 PLC ±0,3 4 PLC ±0,3 ANGLES ±1°		PRODUCT SPEC -	TERMINAL FASTIN-FASTON.250 RECEPT					
MATERIAL SEE TABLE	FINISH SEE TABLE	APPLICATION SPEC -	SIZE A3	CAGE CODE 00779	DRAWING NO C-626094	RESTRICTED TO -		
		WEIGHT -	Customer Drawing		SCALE -	SHEET 1	OF 1	REV J3