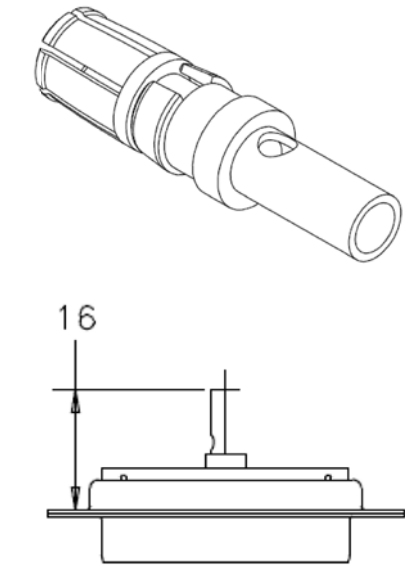
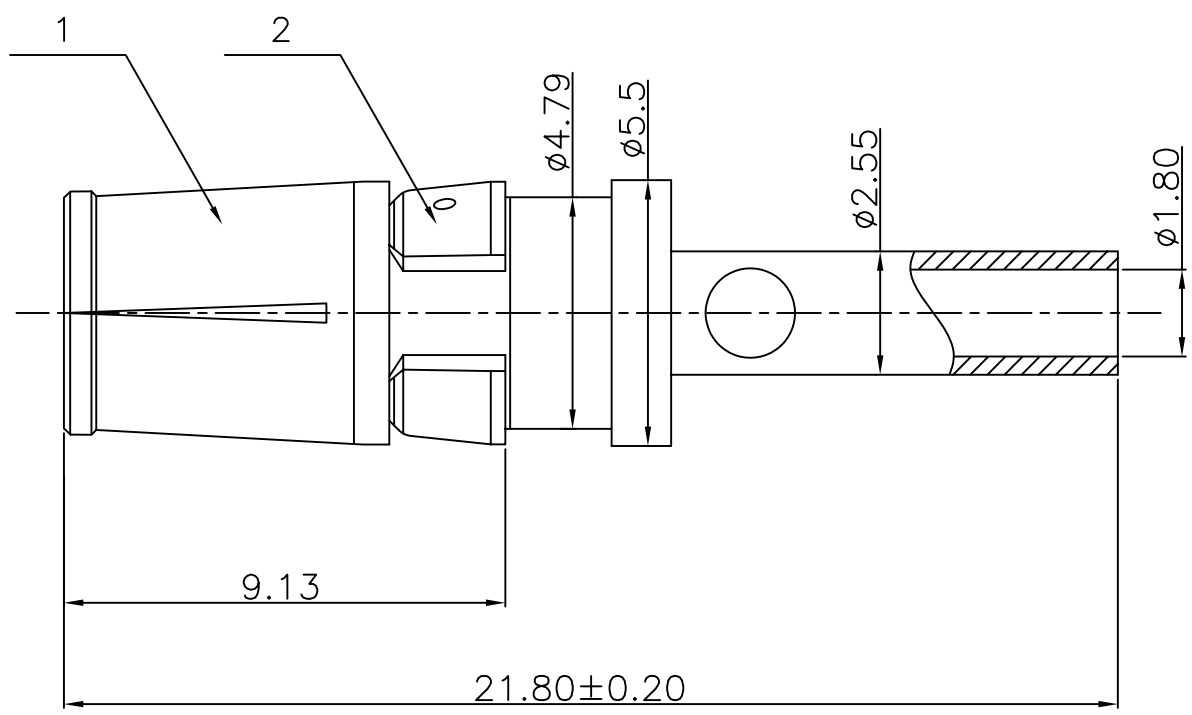


This document is the property of Amphenol Corporation and is delivered on the express condition that it is not to be disclosed, reproduced or used, in whole or in part, for manufacture or sale by anyone other than Amphenol Corporation without its prior consent, & that no right is granted to disclose or to use any information in this document.

REVISIONS

SYM	ECN	DESCRIPTION	DATE	APPROVED
A			12/12/07	



Notes:

- 1. Commercial number is L17DM53744207C309
- 2. Current rating: 10 to 20A.



Customer drawing

2	4P00100	thermoplastic	
1	CONTACT	Phosphor bronze	0.75um gold over 1.25um nickel
Sequence	Part number	Material	Plating
UNLESS OTHERWISE SPECIFIED TOLERANCES		APPROVAL	DATE
U.S. METRIC		DRAWN Sunny.LA	12/12/07
.X +/- 0.20		CHECKED Hk.wang	12/12/07
.XX +/- 0.10		CHECKED	
.XXX +/- 0.05			
FRACTIONS +/-			
ANGLES +/- 2'			
FOR MATERIALS AND FINISHES SEE NOTES		DRAWING FILE :	
REMOVE SHARP EDGES		ANGLE OF PROJECTION	
DIMENSIONS			
U.S. INCHES			
METRIC MM			
		TITLE	
		Amphenol	
		High power contact	
		SIZE DRAWING NO.	REV.
		A4 C L17DM53744207C309	1
		SCALE NONE	SHEET 1 OF 1