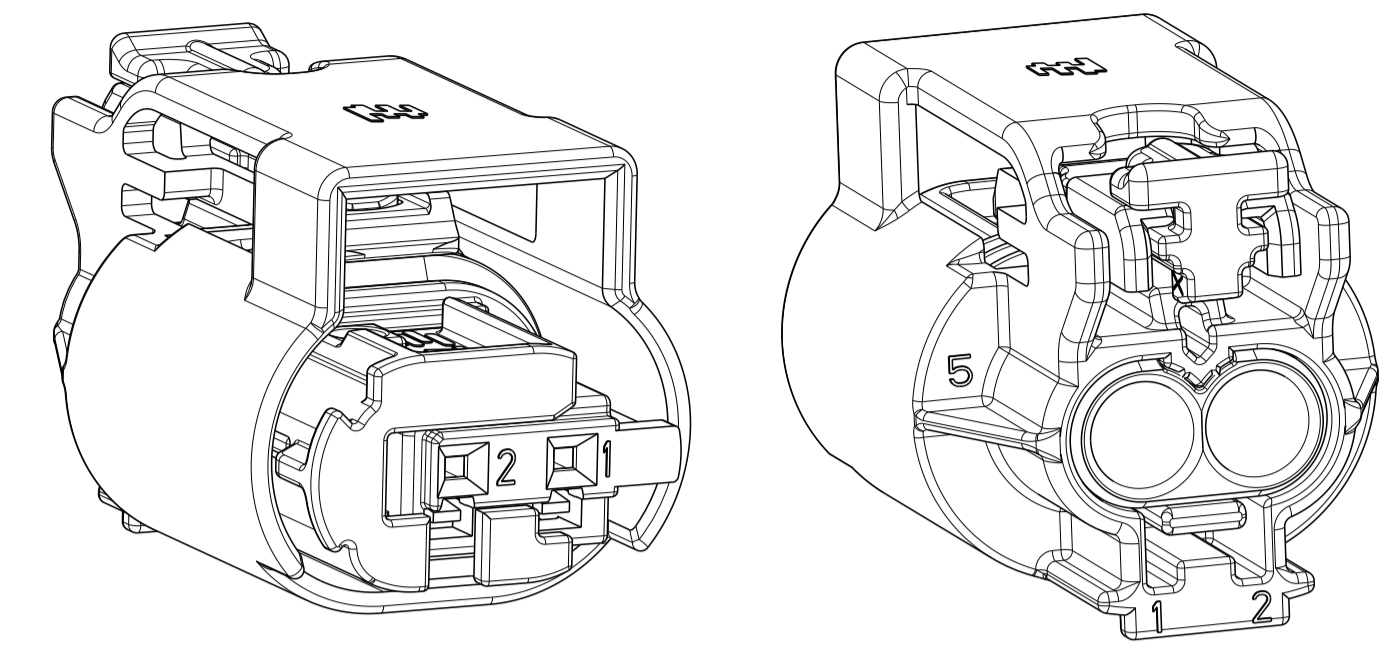
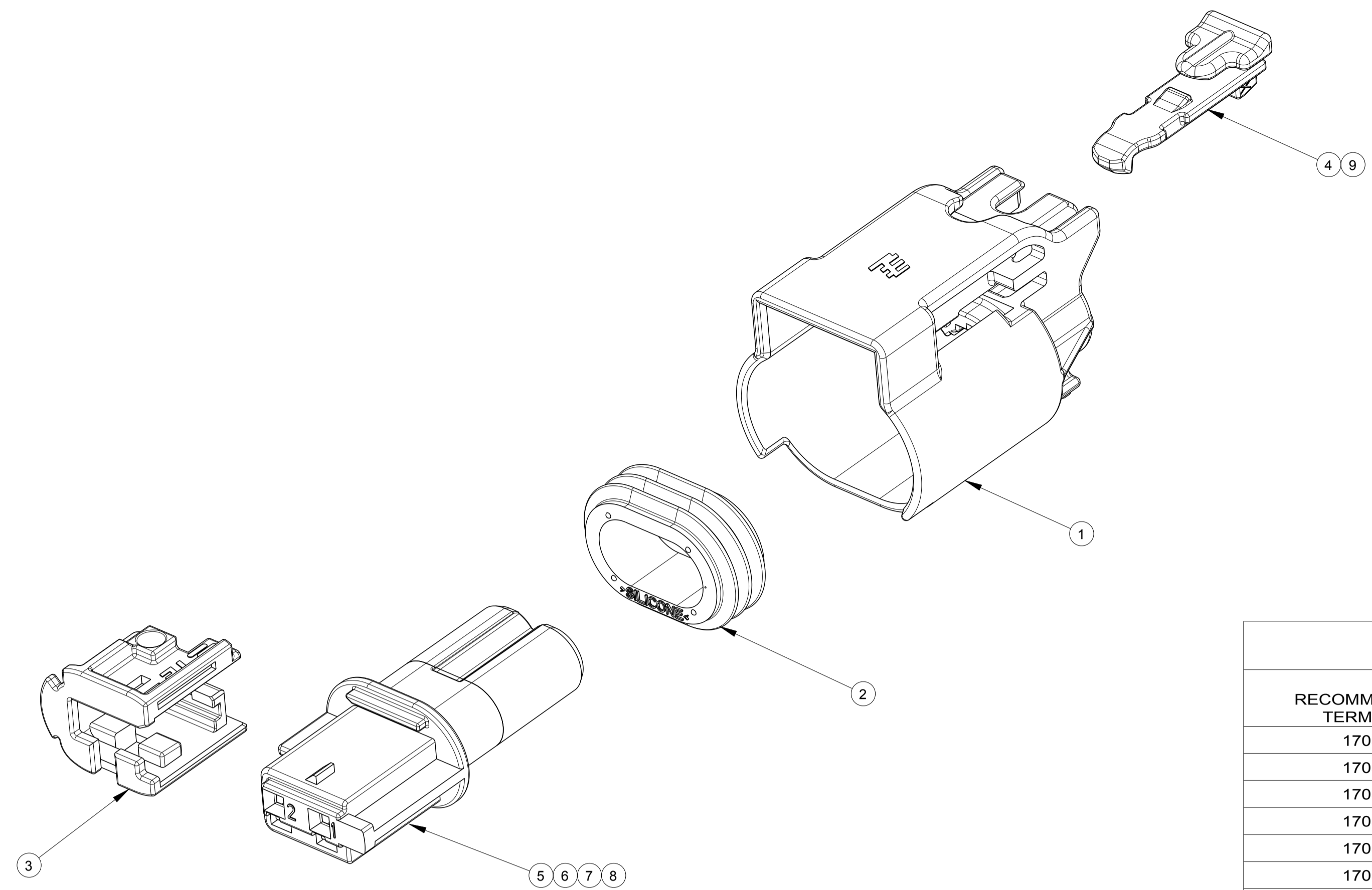
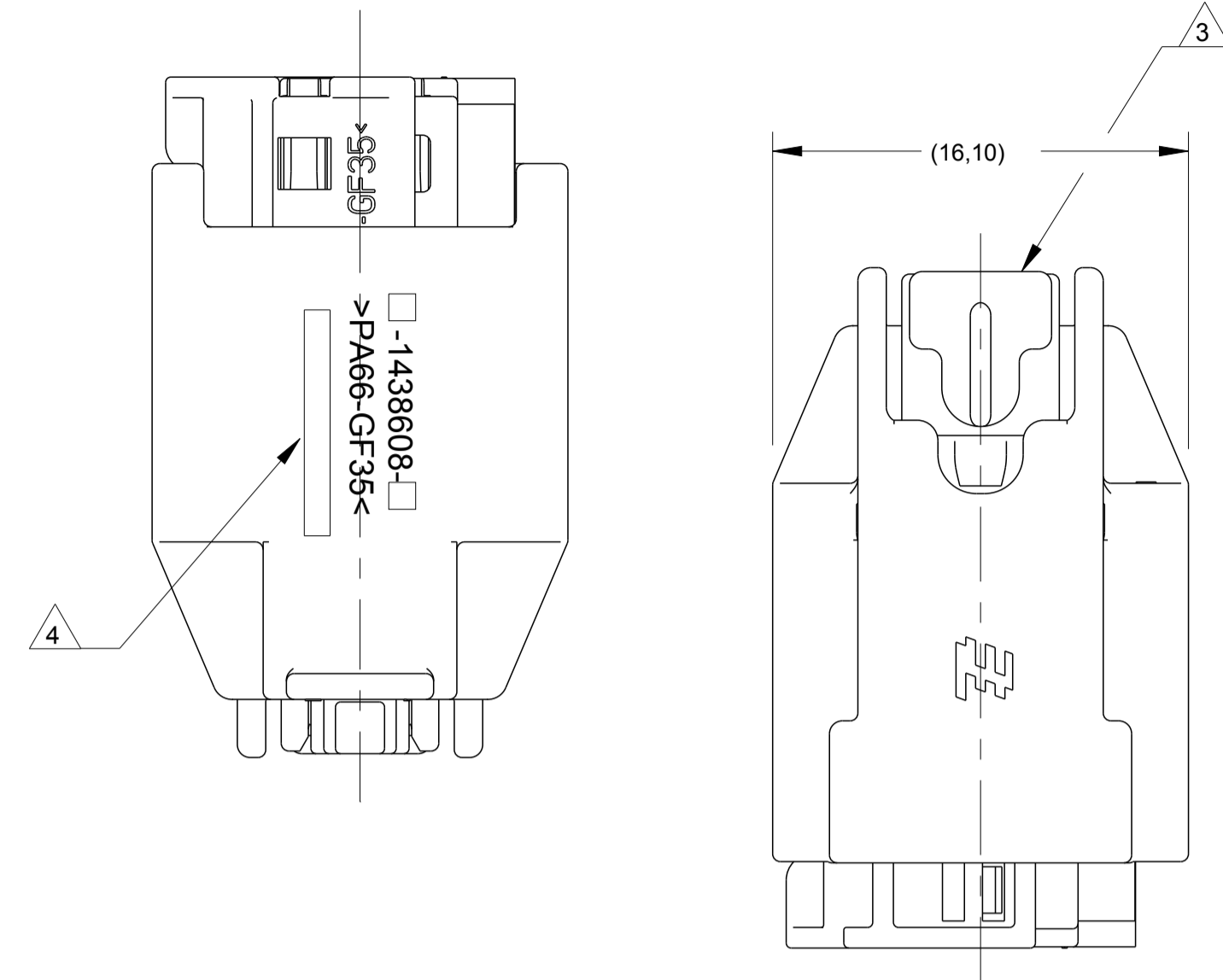


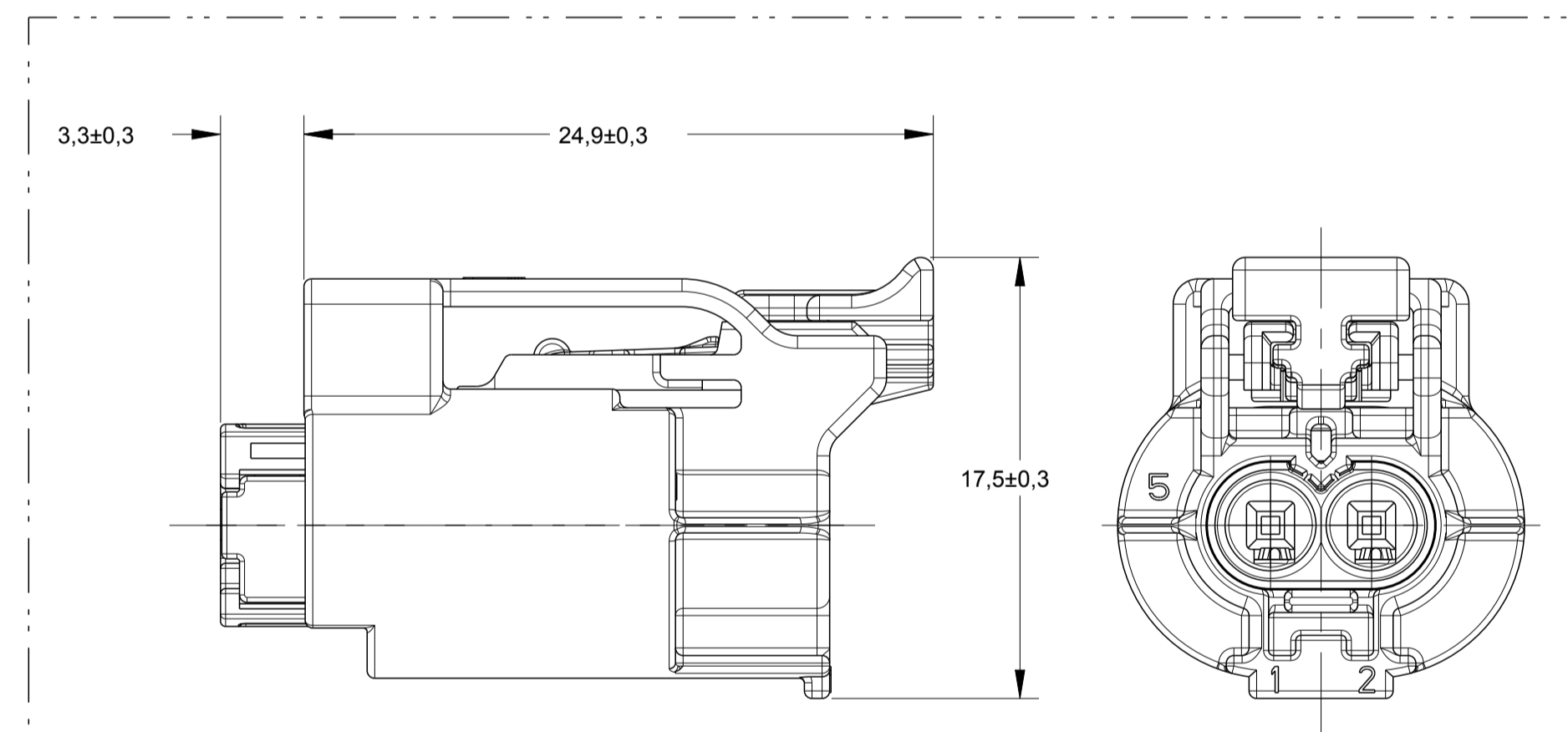
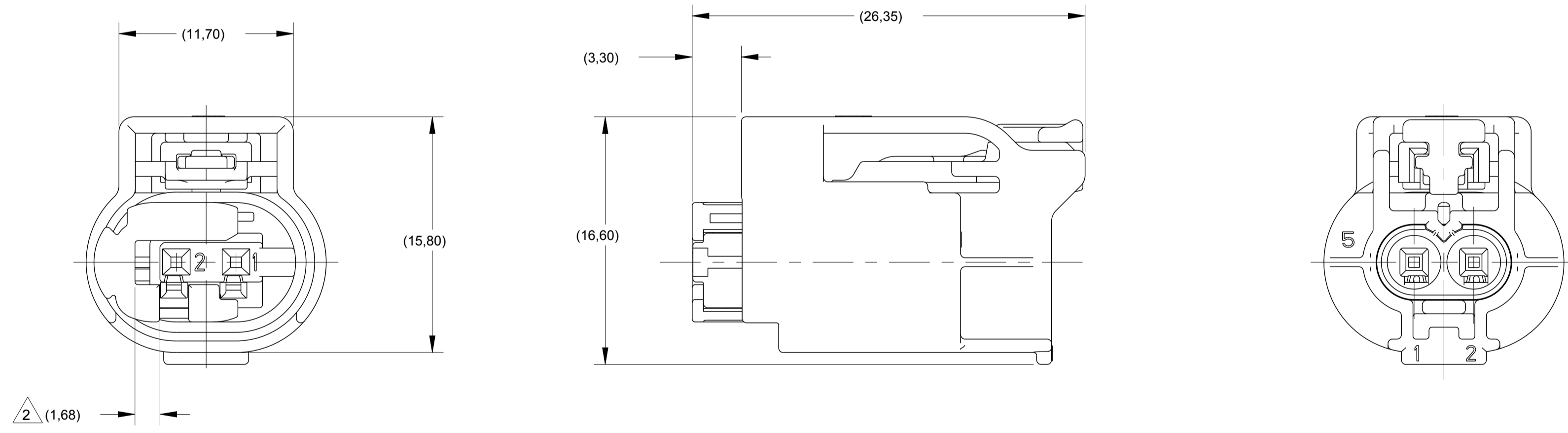
LOC	DIST	REVISIONS					
IN	00	P	LTR	DESCRIPTION	DATE	DWN	APVD
		G		REVISED DRAWING ECO-14-011432	28JUL2014	NCL	LWP

creo
 Creo Parametric 2.0
**DO NOT REVISE
 EXCEPT BY CAD**



RECOMMENDED TERMINAL AND WIRE SEAL CHART

RECOMMENDED TERMINAL P/N	PLATING	WIRE SIZE TYPE	RECOMMENDED WIRE SEAL (CORRESPONDING TO WIRE SIZE AND TYPE)
1703032-5	GOLD	20AWG TXL	967067-1
1703032-1	TIN	20AWG TXL	967067-1
1703032-5	GOLD	18AWG TXL	967067-1
1703032-1	TIN	18AWG TXL	967067-1
1703032-5	GOLD	20AWG GXL	967067-1
1703032-1	TIN	20AWG GXL	967067-1
1703032-5	GOLD	0.75mm ²	967067-1
1703032-1	TIN	0.75mm ²	967067-1



- 1- 1438608-5 MOSTRADO.
1- 1438608-5 SHOWN.
- 2 TPA MOSTRADO EM POSIÇÃO DE PRÉ-TRAVA.
2 TPA SHOWN IN PRE-LATCHED POSITION.
- 3 CPA MOSTRADO EM POSIÇÃO DE PRÉ-TRAVA.
3 CPA SHOWN IN PRE-LATCHED POSITION.
- 4 GRAVAÇÃO JULIANA DE DATA COM QUATRO DÍGITOS (DDDY), P/N ASSEMBLY, IDENTIFICAÇÃO DO MATERIAL LOCALIZADA NESTA ÁREA.
4 MARK FOUR DIGIT JULIAN DATE CODE (DDDY), ASSEMBLY PART NUMBER, MATERIAL IDENTIFICATION, LOCATED IN APPROXIMATE AREA SHOWN.
- 5 TERMINAIS, CABOS E SELOS VENDIDOS SEPARADAMENTE. (VER TABELA DE P/N'S PARA TERMINAIS, CABOS, SELOS, ACABAMENTO E BITOLA RECOMENDADOS).
5 TERMINALS AND WIRE SEALS SOLD SEPARATELY. (SEE RECOMMENDED TERMINAL AND WIRE SEAL TABLE FOR P/N'S, PLATING, AND WIRE SIZE).
- 6 VER ESPECIFICAÇÃO DE APLICAÇÃO N. 114-18025.
6 SEE APPLICATION SPEC. NO. 114-18025.
- 7 VERSÃO NEUTRA.
7 NEUTRAL VERSION.
- 8 ALÍVIO DE MATERIAL (VER FOLHA 2 DE 2).
8 MATERIAL RECESS (SEE SHEET 2 OF 2).

- 9 COR OPCIONAL DO SELO - NATURAL.
9 OPTIONAL SEAL COLORS - NATURAL.
- 10 PRODUTO TESTADO CONFORME NORMA SAE/USCAR-2 REV.4 COM AS SEGUINTE EXCEÇÕES:
11A. FORÇA DE INSERÇÃO DO TPA DA PRÉ MONTAGEM PARA TRAVADO = 12N. MIN.
11B. "CLICK" AUDÍVEL = 1db MIN.
11C. FORÇA DE EXTRAÇÃO DO CPA DA POSIÇÃO TRAVADO PARA PRÉ TRAVADO = 7N MIN.
10 PRODUCT TESTED IN ACORDANCE WITH SAE/USCAR-2 REV.4 WITH THE FOLLOWING EXCEPTIONS:
11A. TPA PRESET TO LOCK FORCE = 12N. MIN.
11B. AUDIBLE "CLICK" = 1db MIN.
11C. CPA LOCK TO PRESET FORCE = 7N MIN.
- 11 SUPERFÍCIE DE VEDAÇÃO NESTA ÁREA, NÃO PERMITIDO MARCAS DE CHUPAGEM E DIVISÕES DO MOLDE.
11 IN THIS AREA SEALING SURFACE AROUND, NO SINK MARKS AND TOOL PARTING PERMITTED. MOLD SURFACE RA=0,8µm; DRAFTING ANGLE 15° (SEE SHEET 2 OF 2)
- 12 PINOS DE CONTATO CONFORME DESENHO TE 114-18063 (VER FOLHA 2 DE 2)
12 CONTACT PINS ACCORDING TO INTERFACE DRAWING TE 114-18063 (SEE SHEET 2 OF 2)

ITEM	DESCRIPTION	MATERIAL	FINISH
9	CPA	PBT, 30% GLASS FILLED	VIOLET
8	INNER PLUG HOUSING KEYING X	NYLON 6/6, 35% GLASS FILLED	GREEN
7	INNER PLUG HOUSING KEYING C	NYLON 6/6, 35% GLASS FILLED	BLUE
6	INNER PLUG HOUSING KEYING B	NYLON 6/6, 35% GLASS FILLED	DARK GREY
5	INNER PLUG HOUSING KEYING A	NYLON 6/6, 35% GLASS FILLED	BLACK
4	CPA	PBT, 30% GLASS FILLED	RED
3	TPA	NYLON 6/6, 35% GLASS FILLED	RED
2	PERIPHERAL SEAL	SILICONE RUBBER	LIGHT BLUE
1	OUTER PLUG HOUSING	NYLON 6/6, 35% GLASS FILLED	BLACK

THIS DRAWING IS A CONTROLLED DOCUMENT.

DIMENSIONS: mm

TOLERANCES UNLESS OTHERWISE SPECIFIED:

0 PLC	±
1 PLC	±0.5
2 PLC	±0.13
3 PLC	±
4 PLC	±

FINISH: ±0.30

MATERIAL: SEE TABLE

SEE TABLE

Customer Drawing

DWN: K.FOLTZ 28APR2004
 CHK: B.BUCHTER 28APR2004
 APVD: B.BUCHTER 28APR2004

NAME: PLUG ASSEMBLY, 2 POSITION, SEALED, MQS CLEAN BODY CONNECTOR

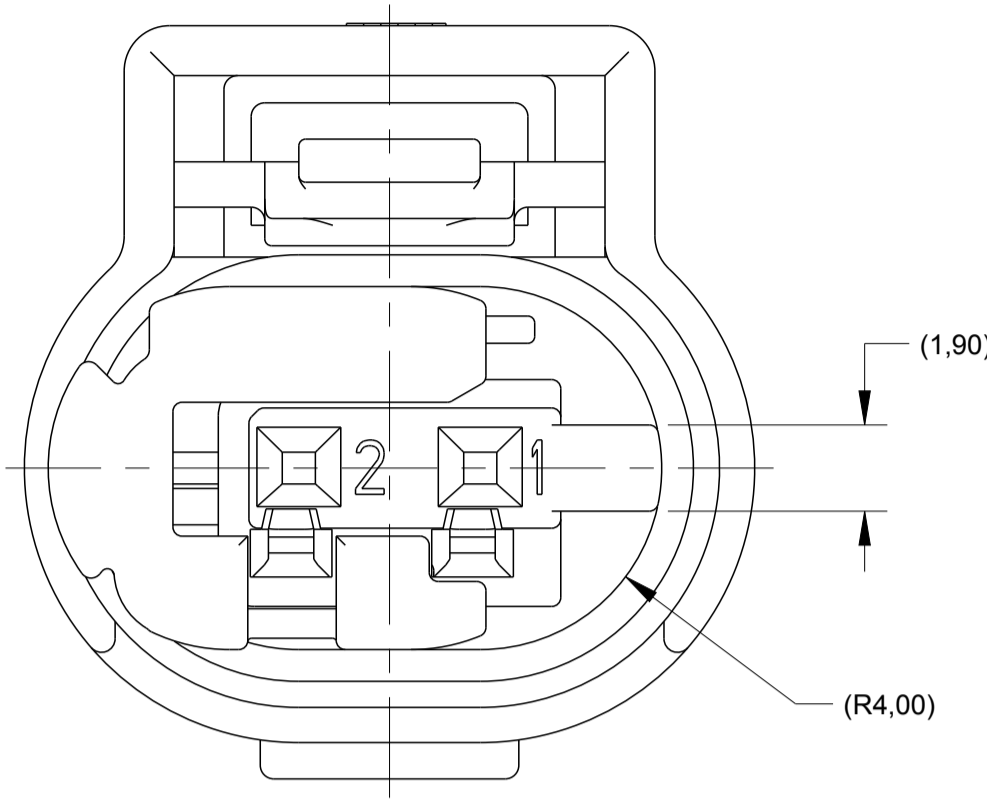
SIZE: A1
 CAGE CODE: 00779
 DRAWING NO: 114-37012
 WEIGHT: -

RESTRICTED TO: -

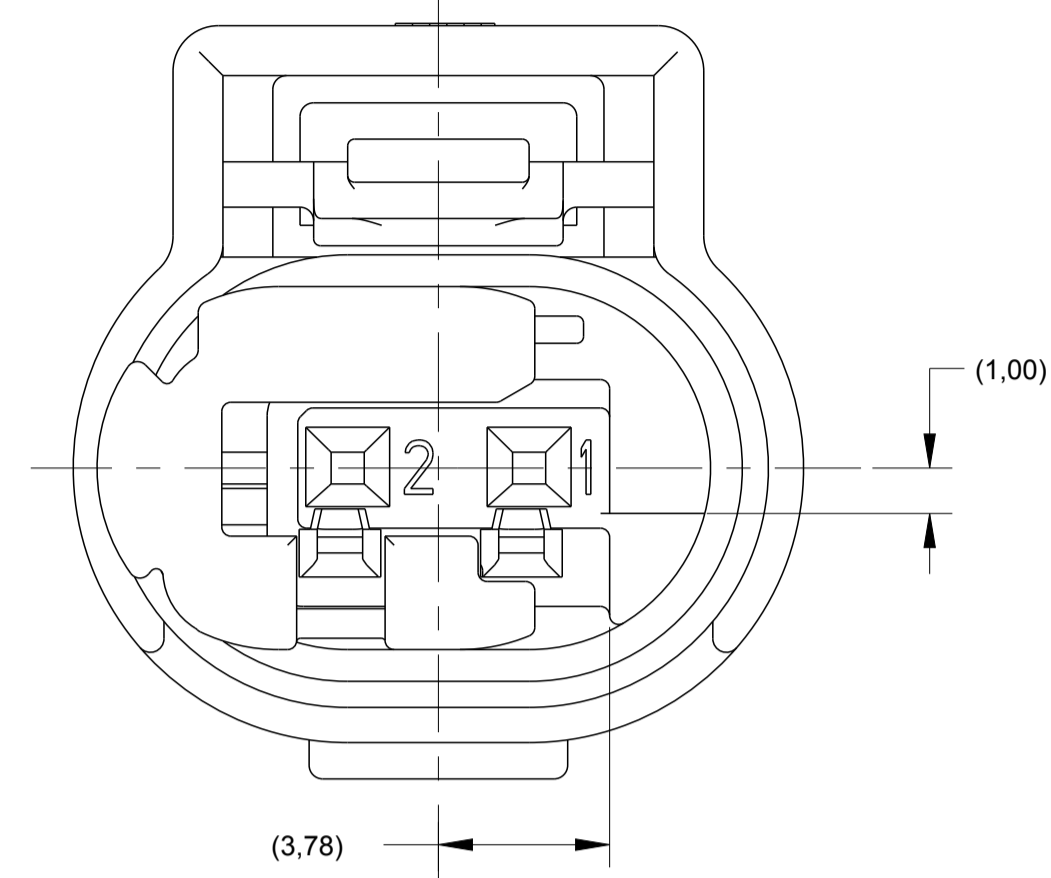
SCALE: 4:1 SHEET 1 OF 2 REV G

LOC	DIST	REVISIONS					
IN	00	P	LTR	DESCRIPTION	DATE	DWN	APVD
		-	-	SEE SHEET 1	-	-	-

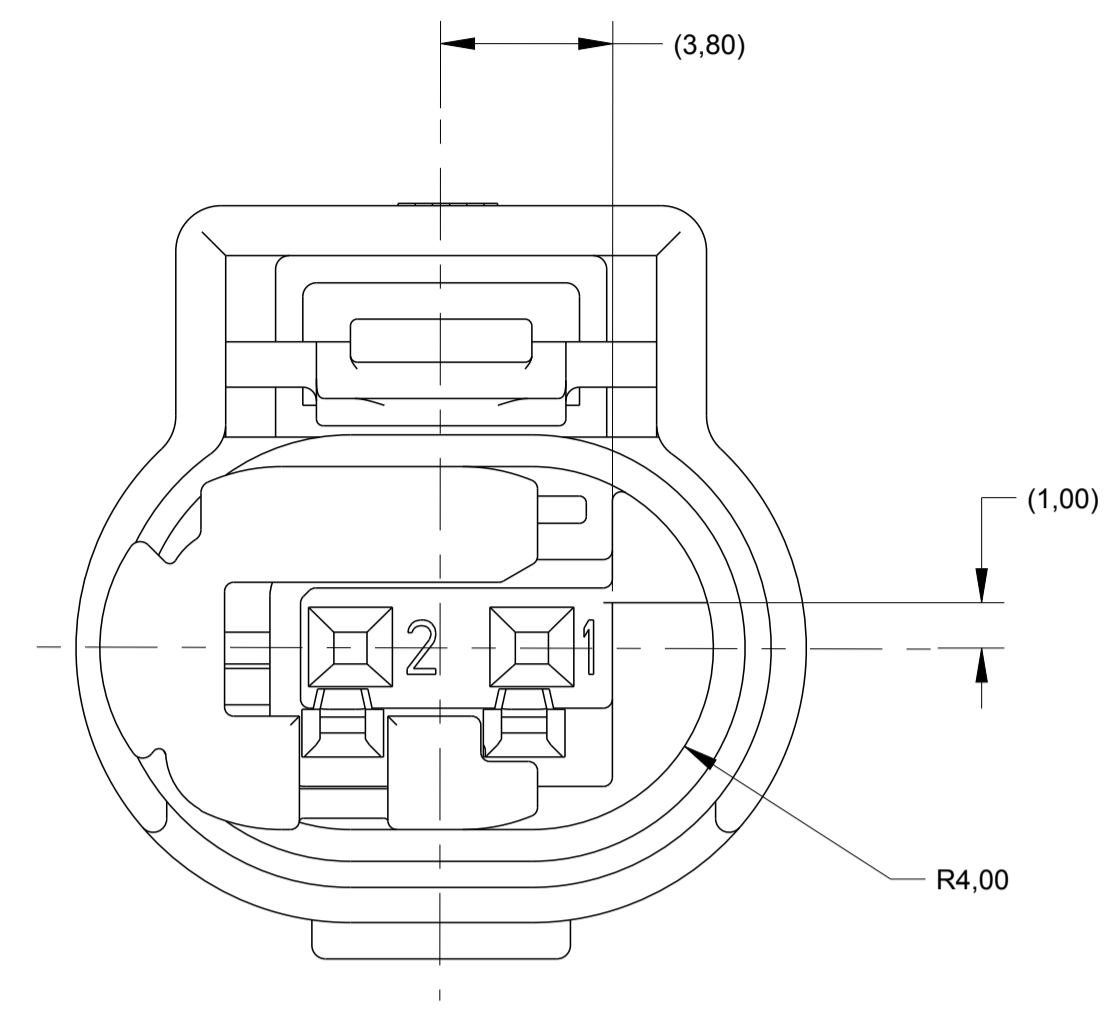
creo
Creo Parametric 2.0
DO NOT REVISE
EXCEPT BY CAD



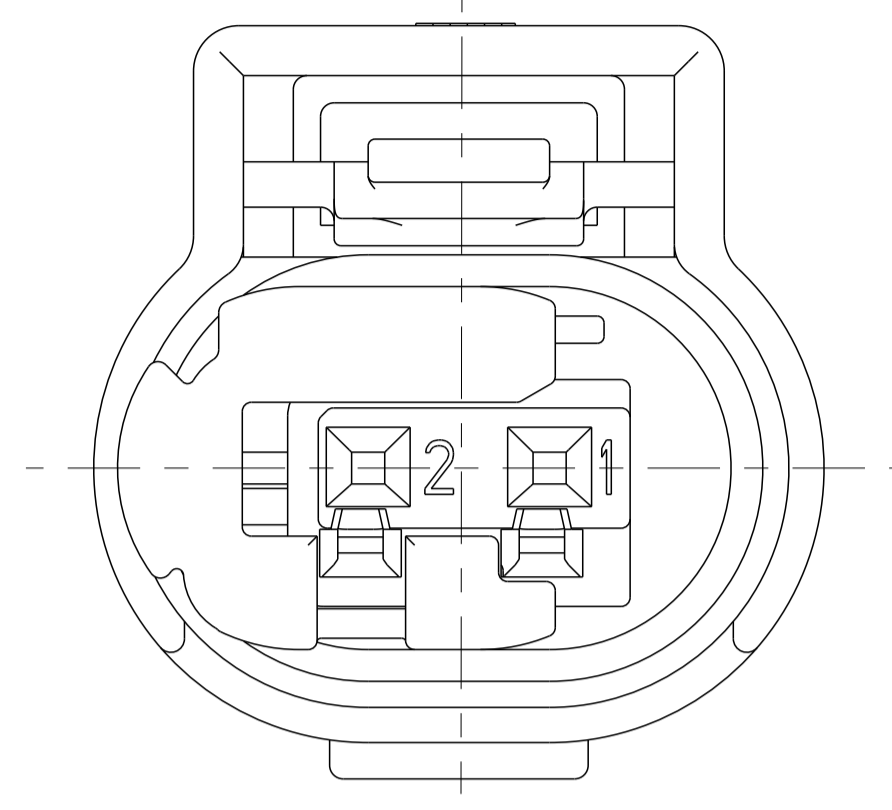
KEY CODE A
1-1438608-1 AND 1-1438608-5 AND 2-1438608-1 ONLY
SCALE 6:1



KEY CODE B
1-1438608-2 AND 1-1438608-6 ONLY
SCALE 6:1

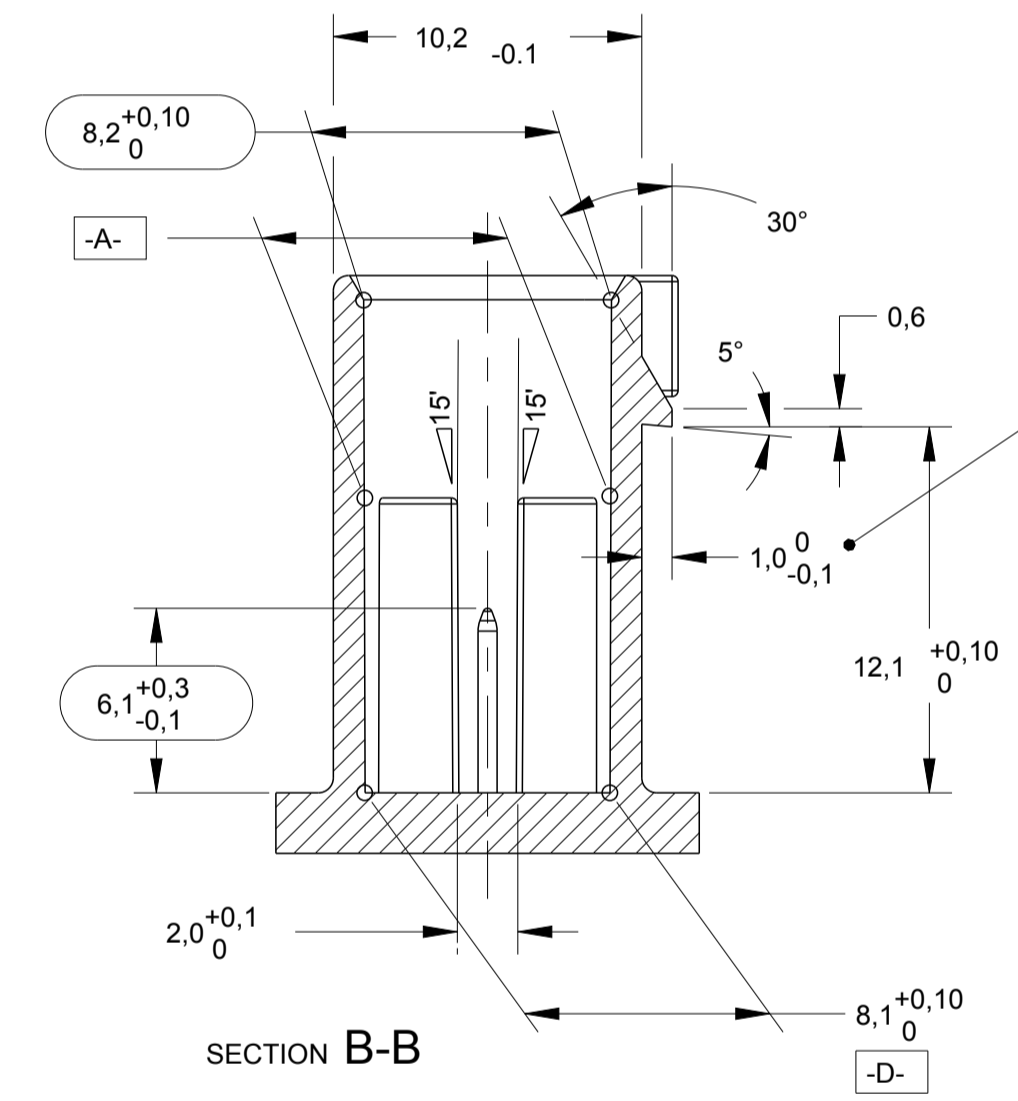
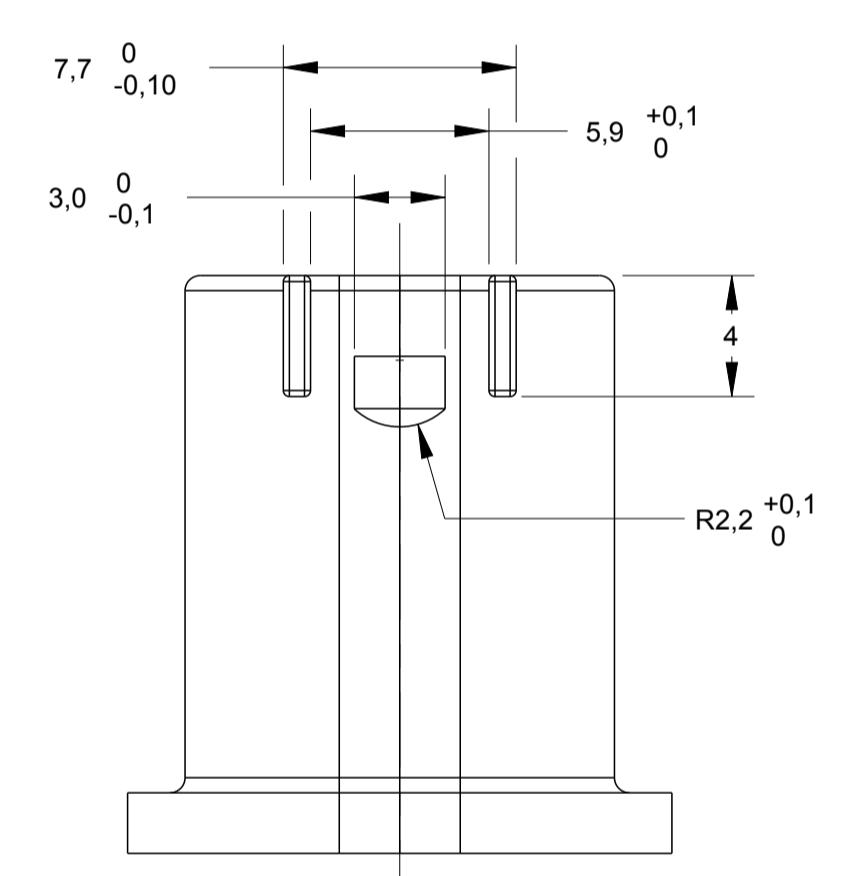


KEY CODE C
1-1438608-3 AND 1-1438608-7 ONLY
SCALE 6:1

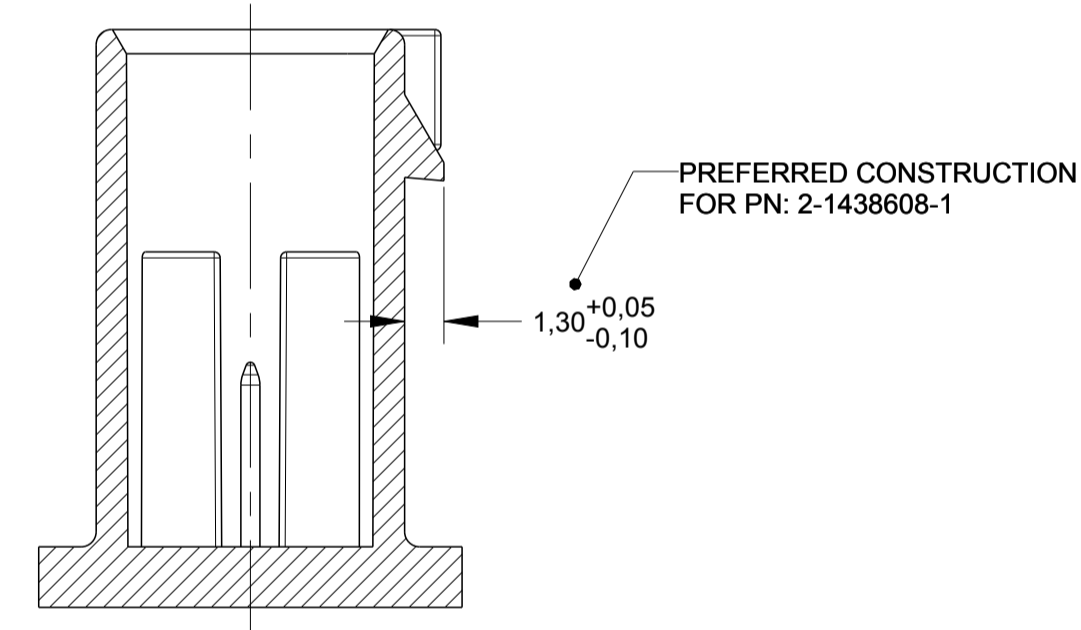


KEY CODE D 1:
1-1438708-4 AND 1-1438608-8 ONLY
SCALE 6:1

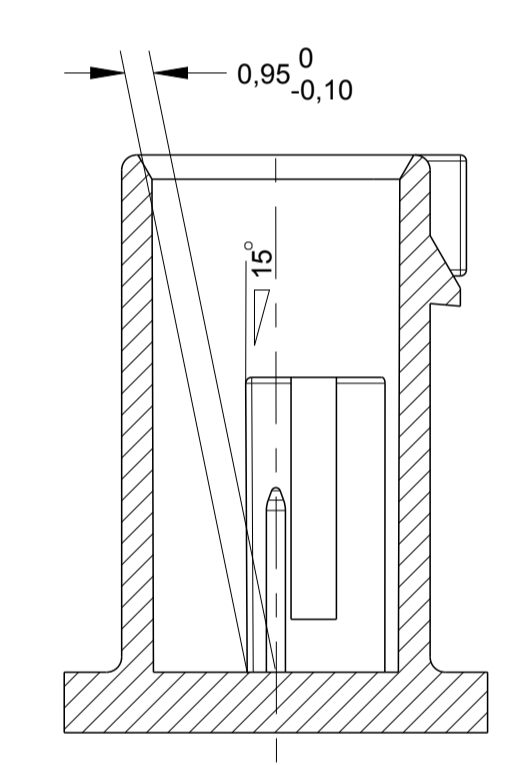
MATING CONNECTOR INFORMATION



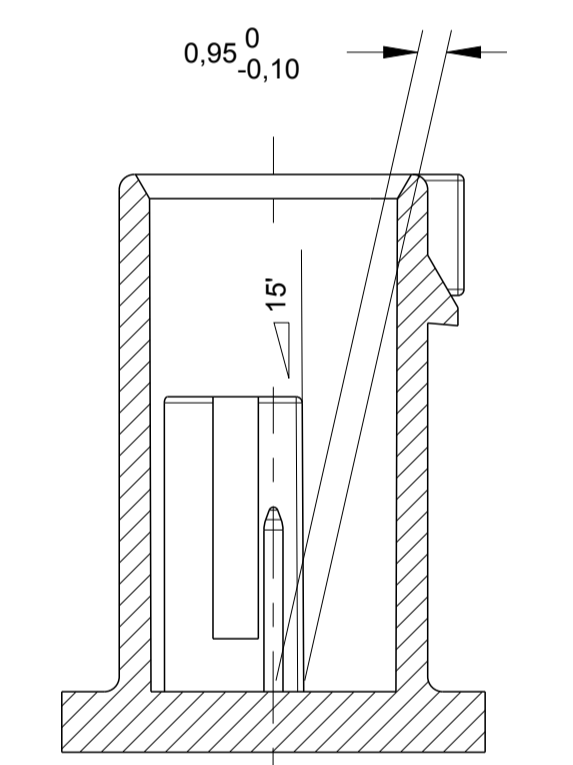
- CONSTRUCTION FOR PNs:
- 1-1438608-1 1-1438608-2
 - 1-1438608-3 1-1438608-4
 - 1-1438608-5 1-1438608-6
 - 1-1438608-7 1-1438608-8
 - 2-1438608-1



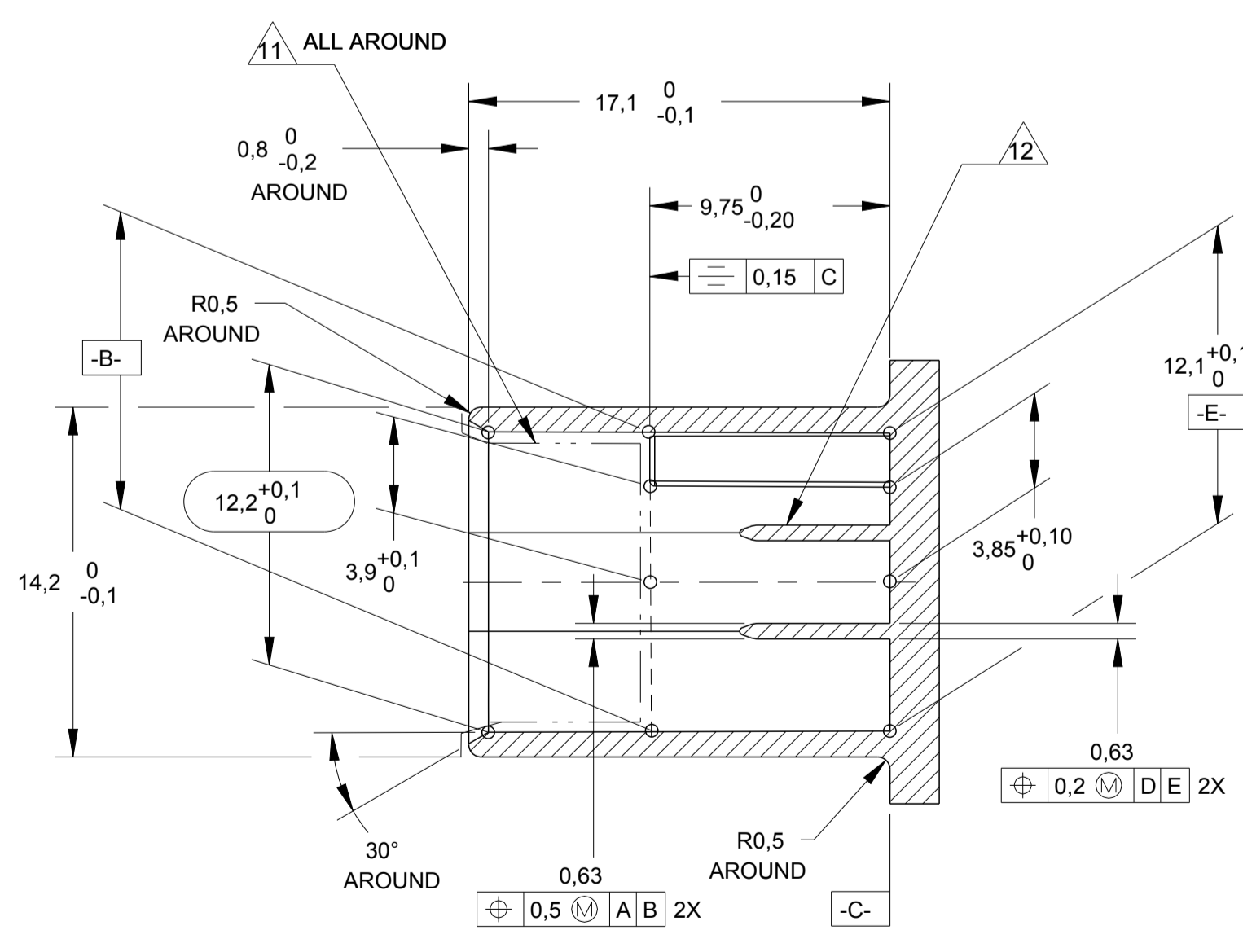
SECTION B-B



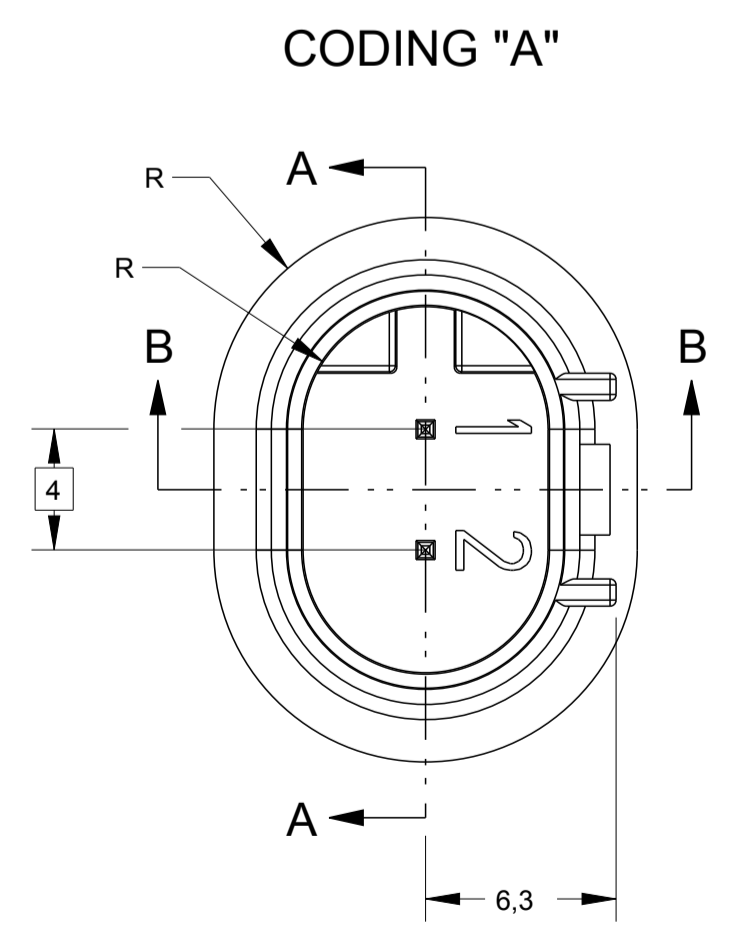
SECTION B-B



SECTION B-B

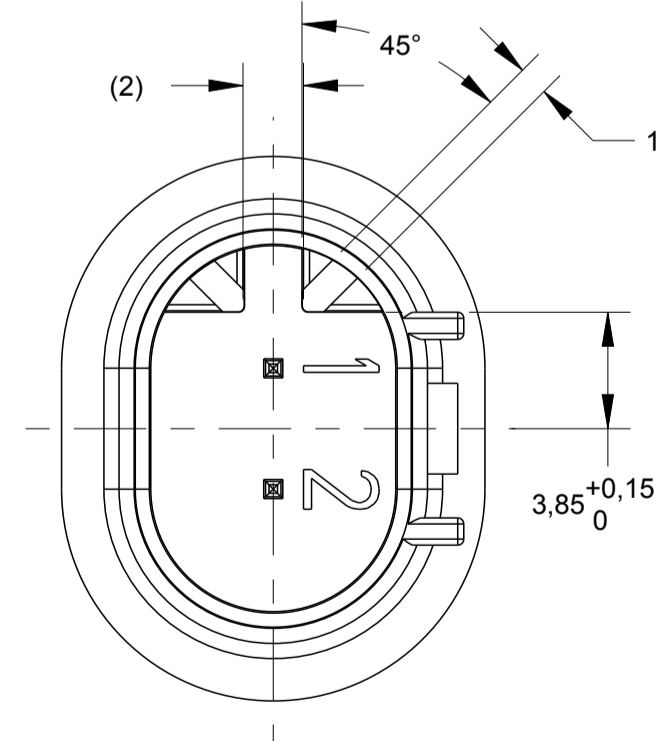


SECTION A-A

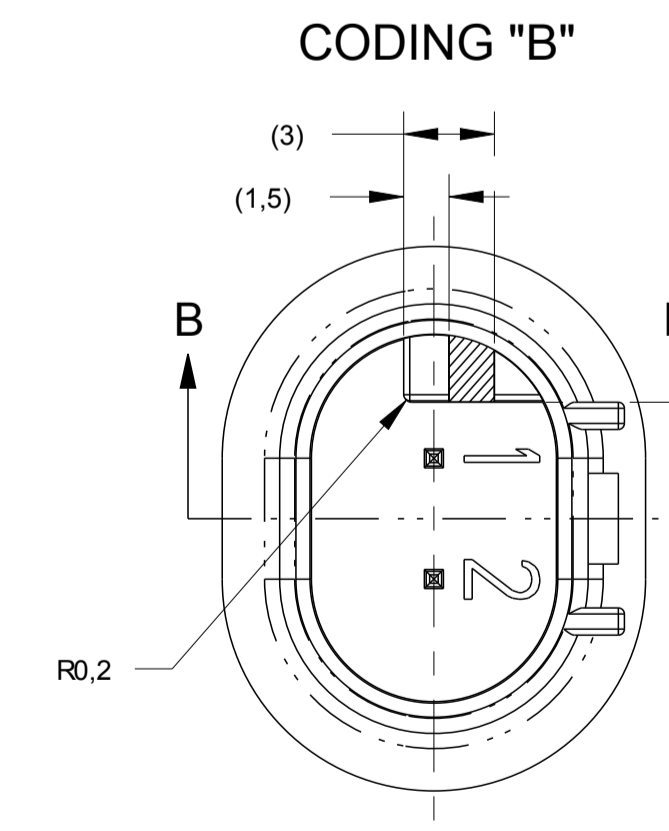


SCALE 4:1

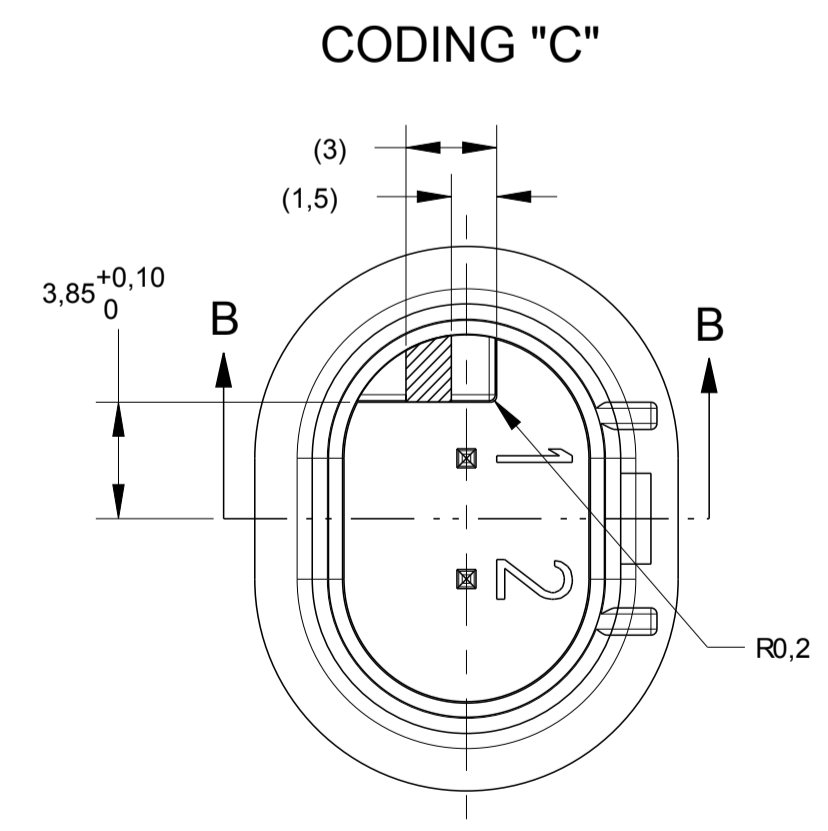
VARIANT FOR MATERIAL RECESS IN CODING "A"



SCALE 4:1



SCALE 4:1



SCALE 4:1

THIS DRAWING IS A CONTROLLED DOCUMENT.		DWN: K.FOLTZ 28APR2004	TE Connectivity
DIMENSIONS: mm		CHK: B.BUCHTER 28APR2004	
TOLERANCES UNLESS OTHERWISE SPECIFIED:		APVD: B.BUCHTER 28APR2004	NAME: PLUG ASSEMBLY, 2 POSITION, SEALED, MQS CLEAN BODY CONNECTOR
0 PLC ±	1 PLC ±0.5	PRODUCT SPEC: 10	SIZE: A1
2 PLC ±0.13	3 PLC ±	APPLICATION SPEC: 114-37012	CAGE CODE: 00779
4 PLC ±	ANGLE FINISH: ±0.30	WEIGHT: -	DRAWING NO: 1438608
MATERIAL: SEE TABLE	SEE TABLE	Customer Drawing	SCALE: 4:1 SHEET 2 OF 2 REV G