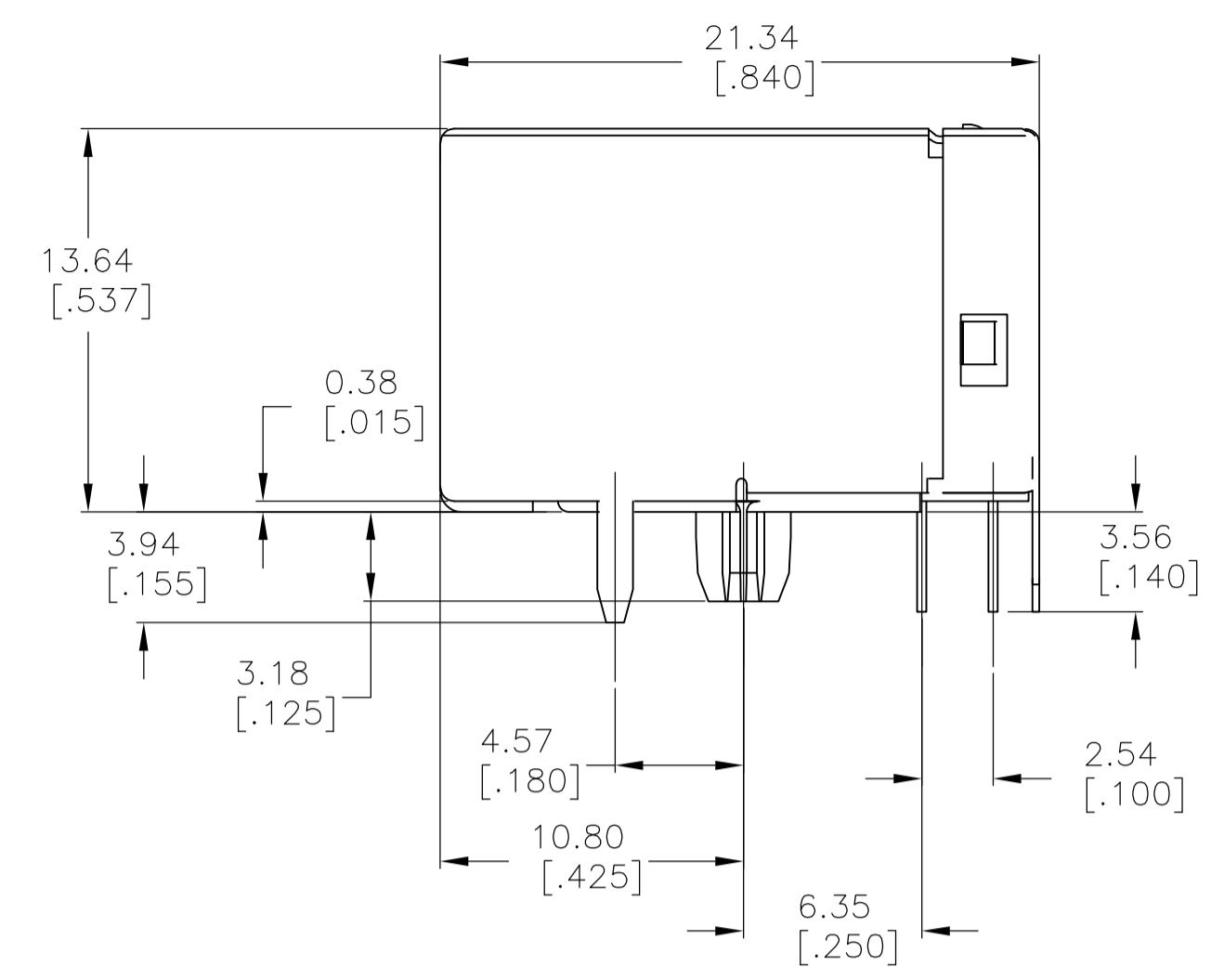
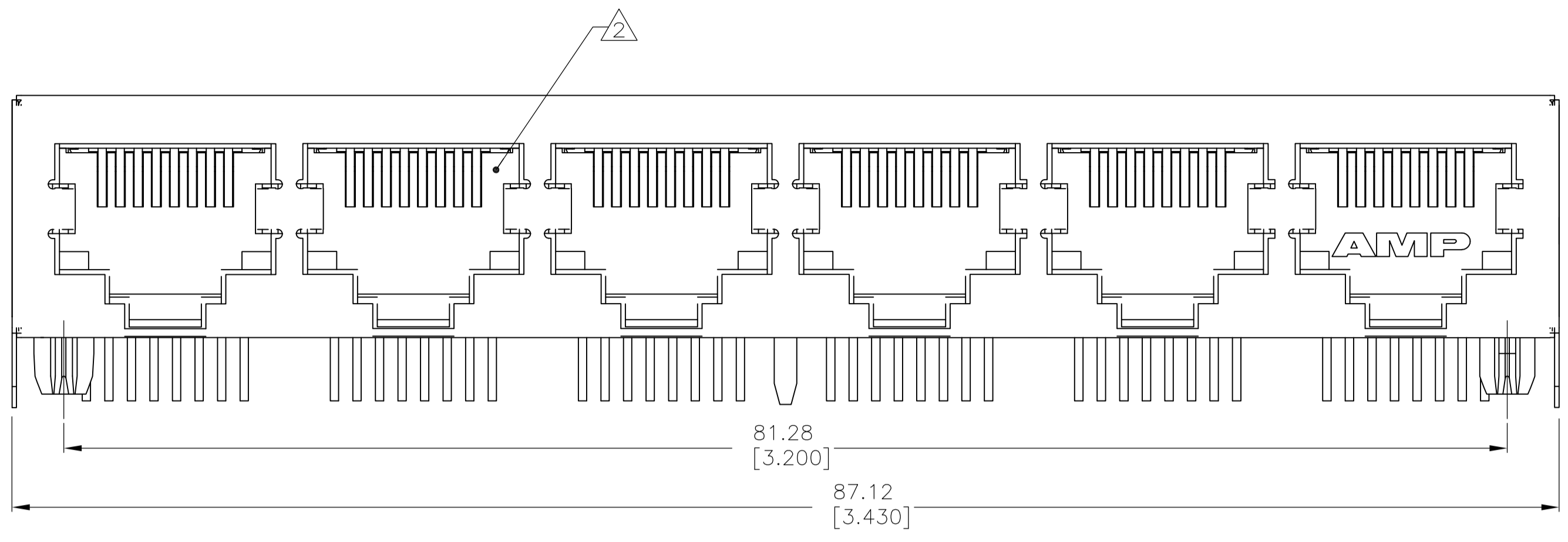
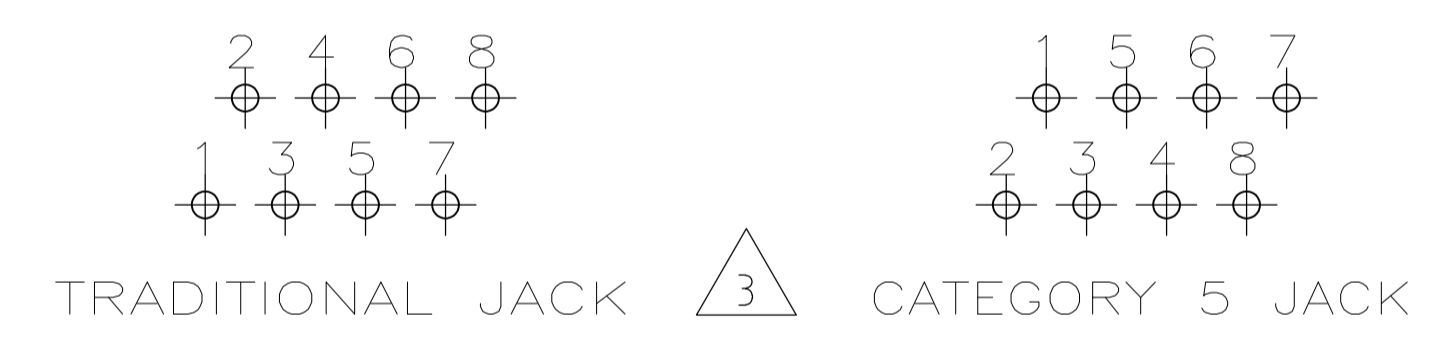
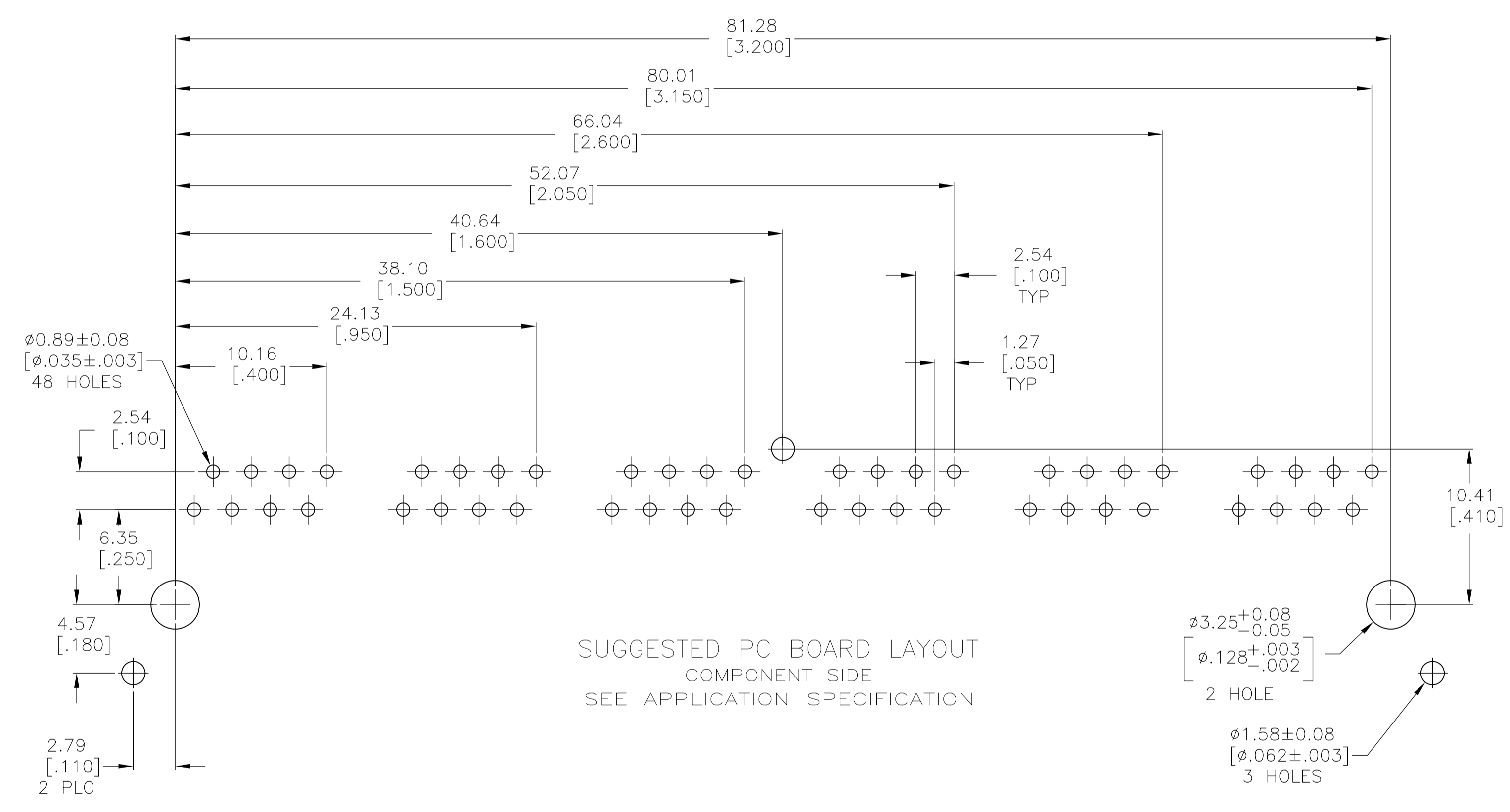


LOC		DIST		REVISIONS			
AA	00	REV	PER	DESCRIPTION	DATE	BY	APP'D
D		REV PER	ECR-10-018501		7SEP2010	DZ	MQ.W



- MATERIAL: HOUSING—HIGH TEMPERATURE NYLON, BLACK, UL 94V-0.
 TERMINALS - 0.33 [.013] THICK PHOS BRONZE PLATED WITH 1.27µm [.000050] MINIMUM HARD GOLD IN LOCALIZED AREA AND 3.81µm [.000150] MINIMUM MATTE TIN IN SOLDER AREA OVER
 1.27µm [.000050] MINIMUM NICKEL UNDERPLATE SHIELDS - 0.25 [.010] THICK COPPER ALLOY PLATED WITH 1.27µm [.000050] MIN NICKEL AND 2.03µm [.000080] MIN TIN HOT DIP ON PCB GROUND TABS.
- ⚠ JACK CAVITY CONFORMS TO FCC RULES AND REGULATIONS, PART 68 SUBPART F.
- ⚠ CAUTION: CATEGORY 5 JACK SOLDER TAIL POSITIONS DO NOT FOLLOW SAME NUMBER SEQUENCE AS THAT OF THE TRADITIONAL JACKS.



5558504-1
 PART NO.

THIS DRAWING IS A CONTROLLED DOCUMENT.		DWG. NO. LONG 3-8-94	Tyco Electronics Corporation Harrisburg, PA 17105-3608
DIMENSIONS: mm [INCHES]		CHK. B. FOX 3-16-94	
TOLERANCES UNLESS OTHERWISE SPECIFIED:		APVD G. REED 3-16-94	NAME: MODULAR JACK ASSEMBLY, 6 PORT, 8 POSITION, RIGHT ANGLE, CATEGORY 5, PC BOARD GROUND SHIELD
0 PLC ± -		PRODUCT SPEC 108-1163-2	
1 PLC ± -		APPLICATION SPEC 114-2048	SIZE: A1
2 PLC ± ± 0.25 [.010]		WEIGHT: -	CAGE CODE: 00779
3 PLC ± -		FINISH: SEE NOTE 1	DRAWING NO. 5558504
4 PLC ± -		SEE NOTE 1	RESTRICTED TO: -
ANGLES ± -			CUSTOMER DRAWING
MATERIAL: SEE NOTE 1			SCALE: 4:1 SHEET 1 OF 1 REV D