

PART NAME: KNOB

SCALE: 1:1

DATE: 5/10/05

DR. BY JAM

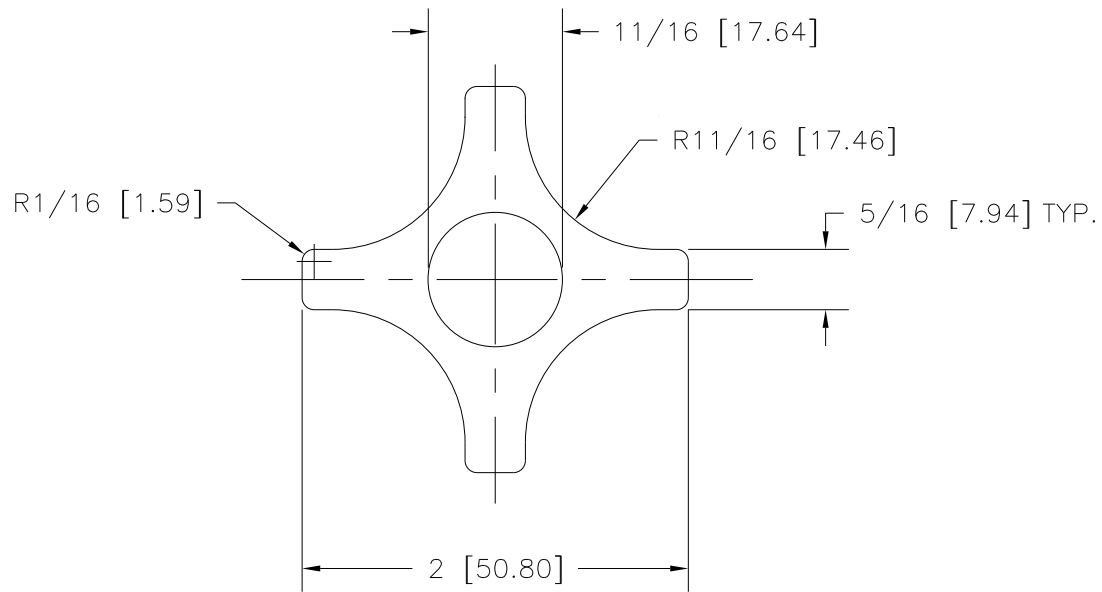


DESIGNERS & MANUFACTURERS
OF KNOBS, HANDLES, CASES &
CUSTOM PLASTIC COMPONENTS

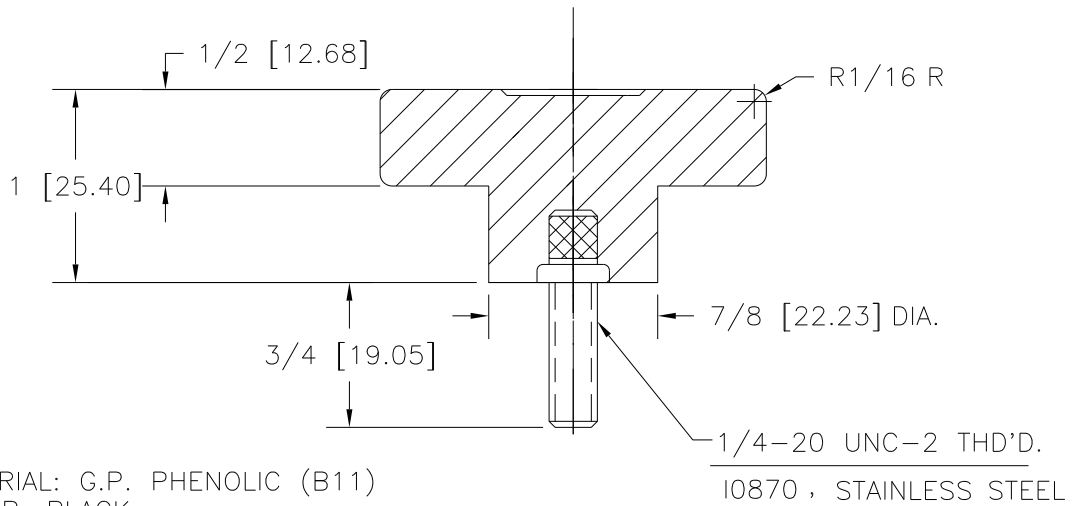
P/N 2830CX

THIS DRAWING IS THE PROPERTY OF DAVIES MOLDING COMPANY, IS SUBMITTED SOLELY AS A DESIGN OR ENGINEERING PROJECT.
WE ACCEPT NO RESPONSIBILITY WHATSOEVER FOR THE PRACTICAL APPLICATION OF THE PIECES MADE TO THIS DESIGN.

M^{NO.} 2890-2830



CAVITY	2830
PLUNGER	2830
PLUNGER PIN	2830
PINS	3000-H
LANDING BAR	.472
PIN PLATE SHIM	.498
SHIM	.018
INSERT	I0870



MATERIAL: G.P. PHENOLIC (B11)
COLOR: BLACK

TOLERANCES: UNLESS OTHERWISE SPECIFIED	DO NOT SCALE DRAWING			
DECIMALS: X.XXX ± .005 X.XX ± .015	MM: X.XX ± 0.15MM X.X ± 0.4MM	-	WAS SK2830-35	JAM 5/10/05
FRACTIONS ± 1/64	ANG. ± 1°	CHANGES		