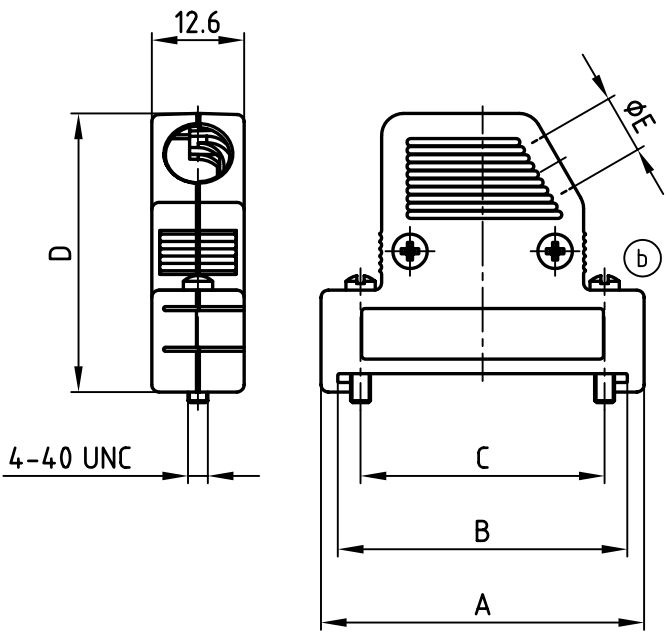
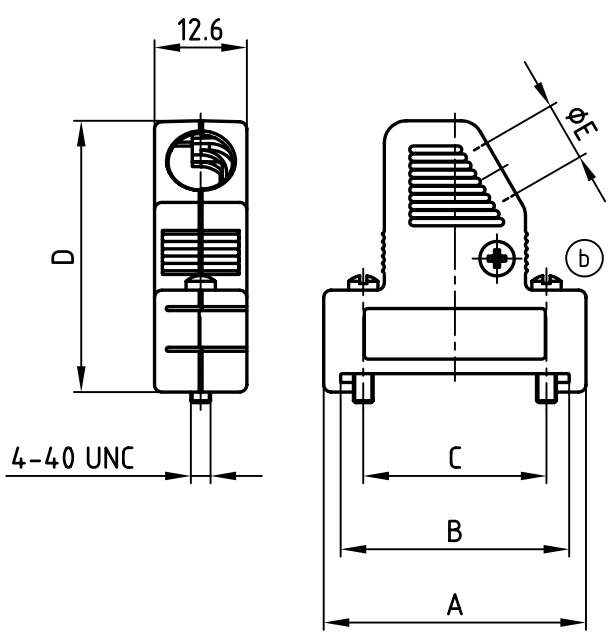


used for: D-SUB

(b) 9pos.

(b) 15-37pos.



No. of pos.	A	B	C	D	ØE	Part NO.
9	35.8	31.2	25.0	37.0	8.0	165X16459X
15	44.1	39.5	33.3	38.0	8.0	165X16469X
25	57.9	53.3	47.1	41.0	9.0	165X16479X
37	74.3	69.7	63.5	41.0	9.0	165X16489X

Directive 2002/95/EC
„RoHS“
Compliant

APPROVAL # FREIGABE # DEBLOCAGE # AUTORIZACION # APPROVAL

CUSTOMER APPROVAL DATE:

NAME: TITLE:

COMPANY NAME:

APPROVAL # FREIGABE # DEBLOCAGE # AUTORIZACION # APPROVAL

NOTES:
1. HOOD: ABS UL 94 V-0; METALLIZED
2. SCREWS: BRASS; NICKEL PLATED

THIS DRAWING MAY NOT BE COPIED OR REPRODUCED IN ANY WAY, AND MAY NOT BE PASSED ON TO A THIRD PARTY WITHOUT WRITTEN PERMISSION. OWNERSHIP AND COPYRIGHT OF CONEC GmbH DO NOT ALTER CAD DRAWING BY HAND

tolerance		dim. in mm	
2001	date	name	
drawn	05.12.	Parei	
appd.	05.12.	E. Mickenbecker	
norm			
d-old			
4 x b	Ä 2835	10.10.07	Lehmen
a	Origin		
rev.	description	date	name



scale:	1:1
material:	SEE NOTES
title:	PLASTIC HOOD 9-37pos. SIDE CABLE EXIT flat mounting type
dwg no:	AutoCAD 2006
	DIN-A
	4
	sh: 1/1
part no:	16K1A393A
	SEE TABLE