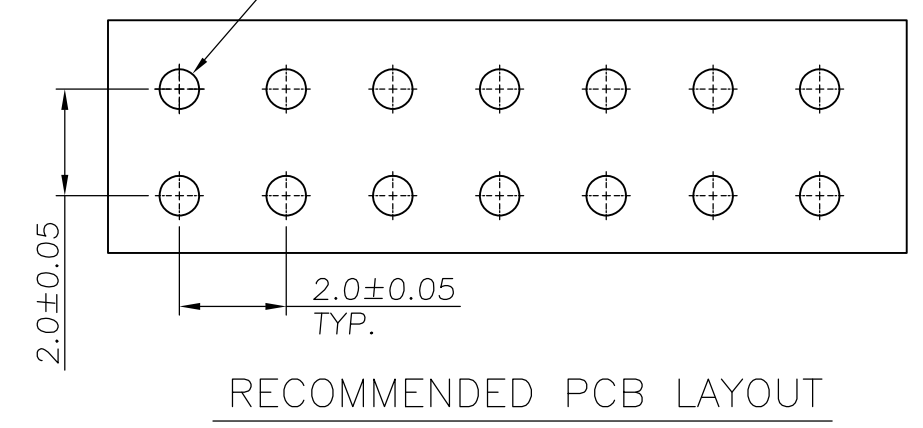
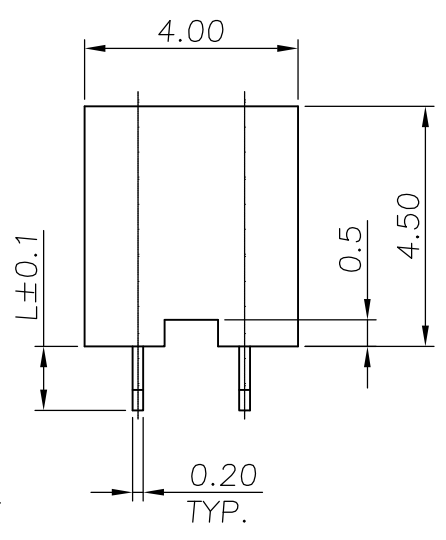
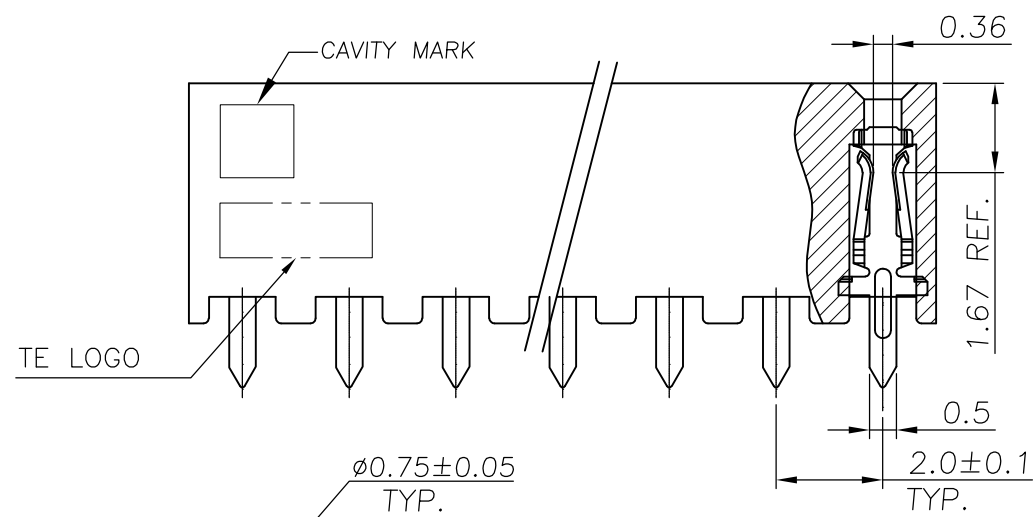
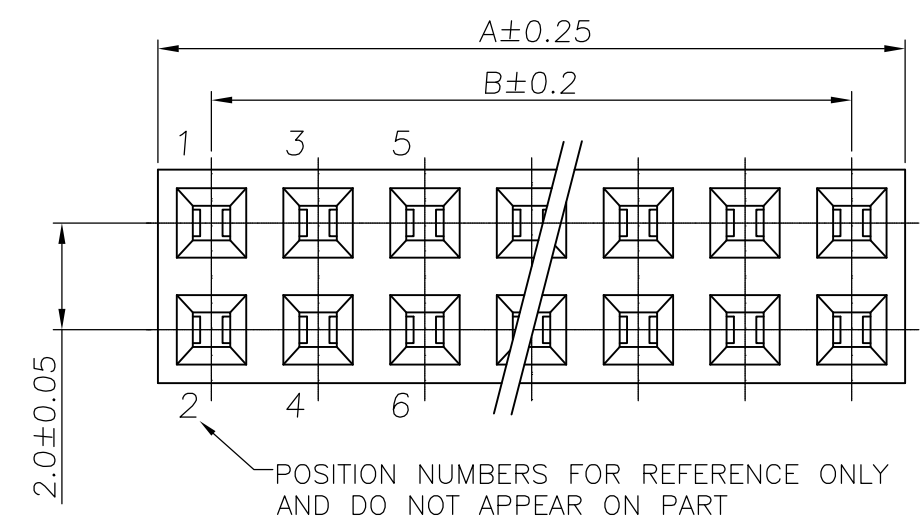
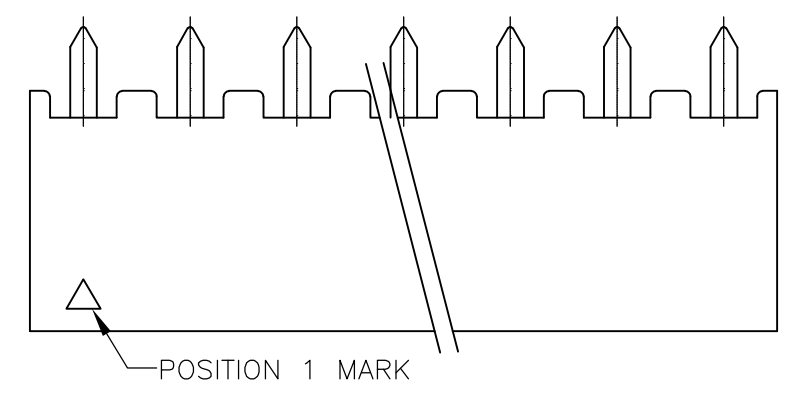


THIS DRAWING IS UNPUBLISHED
 RELEASED FOR PUBLICATION NOV, 2001.
 ALL RIGHTS RESERVED.
 © COPYRIGHT 2009 By -

LOC	DIST	REVISIONS			
P	LTR	DESCRIPTION	DATE	DWN	APVD
IR	-	E3	ECR-10-026537	27JUN11	KK HMR

- NOTE:
- 1 MATERIAL :
HOUSING : NYLON 66 OR EQUIVALENT, UL94V-0, BLACK COLOUR.
CONTACT : COPPER ALLOY
 - 2 FINISH:
CONTACT : GOLD PLATED (SEE TABLE) ON CONTACT AREA
80µ" MIN. TIN PLATED ON SOLDER TAIL,
50µ" MIN. NICKEL UNDERPLATED ALL OVER.
3. APPLICATION :
SOLDERTAIL LENGTH 2.6 FOR PCB THICKNESS 1.6±0.1
1.2 FOR PCB THICKNESS 0.3 MAX.
 4. KEYING POS. : HOUSING CAVITY MOLDED SHUT
 5. QUALIFICATION TEST REPORT: 501-57197



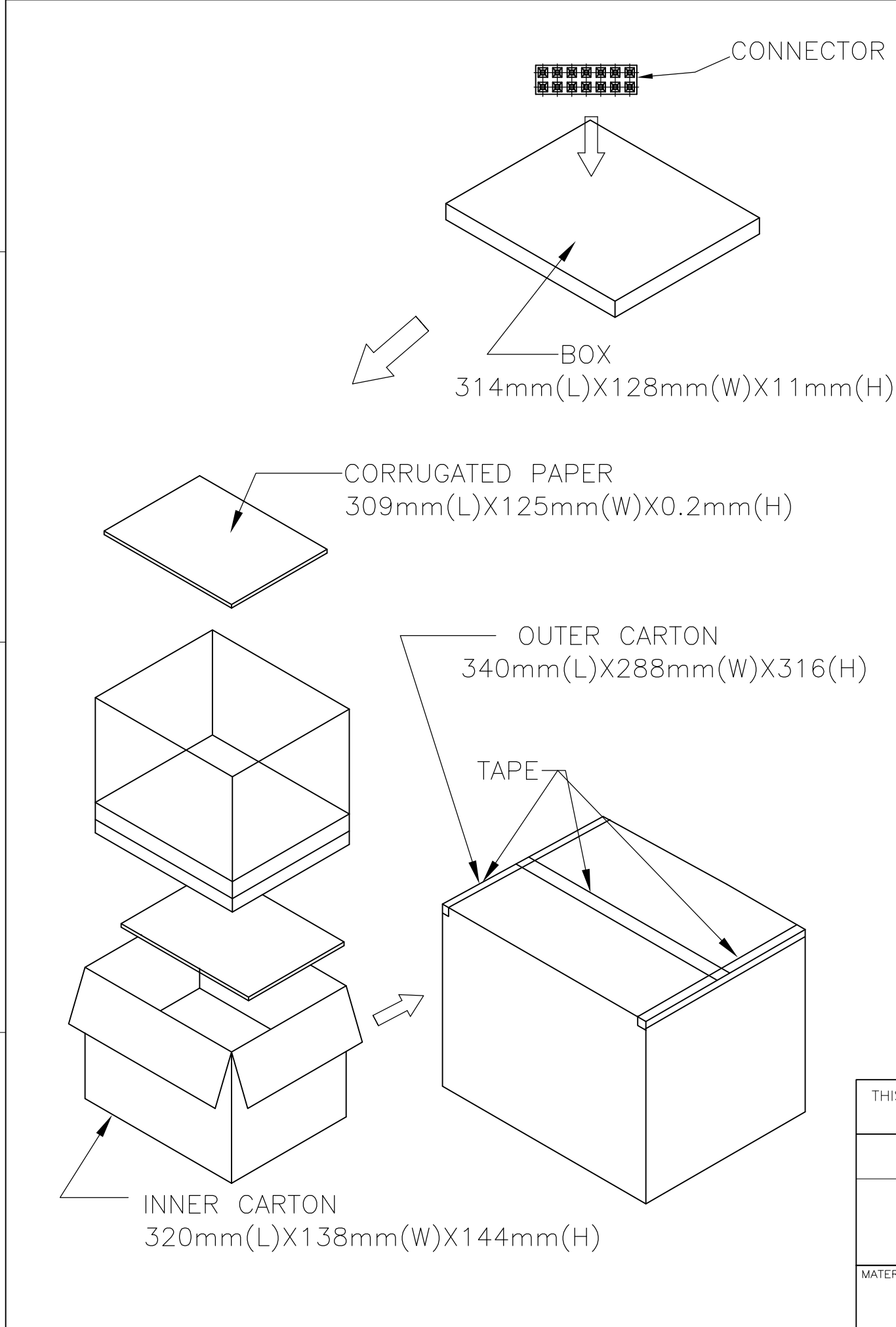
KEYING POS.	A	B	POS	PART NUMBER
6	40	38	40	9-9
	50	48	50	9-8
	48	46	48	9-7
	46	44	46	9-6
	44	42	44	9-5
	42	40	42	9-4
	40	38	40	9-3
	38	36	38	9-2
	36	34	36	9-1
	34	32	34	9-0
	32	30	32	9-9
	30	28	30	8-8
	28	26	28	8-7
	26	24	26	8-6
	24	22	24	8-5
	22	20	22	8-4
	20	18	20	8-3
	18	16	18	8-2
	16	14	16	8-1
	14	12	14	8-0
	12	10	12	7-9
	10	8	10	7-8
	8	6	8	7-7
	6	4	6	7-6
	4	2	4	7-5
	50	48	50	7-4
	48	46	48	7-3
	46	44	46	7-2
	44	42	44	7-1
	42	40	42	7-0
	40	38	40	6-9
	38	36	38	6-8
	36	34	36	6-7
	34	32	34	6-6
	32	30	32	6-5
	30	28	30	6-4
	28	26	28	6-3
	26	24	26	6-2
	24	22	24	6-1
	22	20	22	6-0
	20	18	20	5-9
	18	16	18	5-8
	16	14	16	5-7
	14	12	14	5-6
	12	10	12	5-5
	10	8	10	5-4
	8	6	8	5-3
	6	4	6	5-2
	4	2	4	5-1
	50	48	50	4-4
	48	46	48	4-3
	46	44	46	4-2
	44	42	44	4-1
	42	40	42	4-0
	40	38	40	3-9
	38	36	38	3-8
	36	34	36	3-7
	34	32	34	3-6
	32	30	32	3-5
	30	28	30	3-4
	28	26	28	3-3
	26	24	26	3-2
	24	22	24	3-1
	22	20	22	3-0
	20	18	20	2-9
	18	16	18	2-8
	16	14	16	2-7
	14	12	14	2-6
	12	10	12	2-5
	10	8	10	2-4
	8	6	8	2-3
	6	4	6	2-2
	4	2	4	2-1
	50	48	50	1-4
	48	46	48	1-3
	46	44	46	1-2
	44	42	44	1-1
	42	40	42	1-0
	40	38	40	0-9
	38	36	38	0-8
	36	34	36	0-7
	34	32	34	0-6
	32	30	32	0-5
	30	28	30	0-4
	28	26	28	0-3
	26	24	26	0-2
	24	22	24	0-1
	22	20	22	0-0
	20	18	20	-9
	18	16	18	-8
	16	14	16	-7
	14	12	14	-6
	12	10	12	-5
	10	8	10	-4
	8	6	8	-3
	6	4	6	-2
	4	2	4	-1

THIS DRAWING IS A CONTROLLED DOCUMENT.

DWN	O.HU	30-NOV-2001	TE Connectivity AMPMODU 2.0mm PITCH REC CONN,VERTICAL MOUNT TYPE
CHK	J.CHENG	30-NOV-2001	
APVD	J.WU	30-NOV-2001	
PRODUCT SPEC	108-57197		
APPLICATION SPEC	-		RESTRICTED TO
WEIGHT	-	A3	SCALE 1:1
CUSTOMER DRAWING	SCALE 1:1		SHEET 1 OF 2
			REV E3

THIS DRAWING IS UNPUBLISHED
 RELEASED FOR PUBLICATION NOV ,2001.
 ALL RIGHTS RESERVED.

LOC	DIST	REVISIONS					
IR	-	P	LTR	DESCRIPTION	DATE	DWN	APVD
		-		SEE SHEET 1	-	-	-



OBSOLETE	"L"	Pcs/Carton	Pcs/Inner Carton	Pcs/BOX	POS.	PART NUMBER
OBSOLETE	5040	1260	105	40	9	-9
OBSOLETE	4320	1080	90	50	9	-8
OBSOLETE	4320	1080	90	48	9	-7
OBSOLETE	4320	1080	90	46	9	-6
OBSOLETE	4320	1080	90	44	9	-5
OBSOLETE	5040	1260	105	42	9	-4
OBSOLETE	5040	1260	105	40	9	-3
OBSOLETE	5040	1260	105	38	9	-2
OBSOLETE	5760	1440	120	36	9	-1
OBSOLETE	5760	1440	120	34	9	0
OBSOLETE	6480	1620	135	32	8	-9
OBSOLETE	7200	1800	150	30	8	-8
OBSOLETE	7200	1800	150	28	8	-7
OBSOLETE	7920	1980	165	26	8	-6
OBSOLETE	8640	2160	180	24	8	-5
OBSOLETE	9360	2340	195	22	8	-4
OBSOLETE	10080	2520	210	20	8	-3
OBSOLETE	11520	2880	240	18	8	-2
OBSOLETE	12960	3240	270	16	8	-1
OBSOLETE	15120	3780	315	14	8	0
OBSOLETE	17280	4320	360	12	7	-9
OBSOLETE	20880	5220	435	10	7	-8
OBSOLETE	26640	6660	555	8	7	-7
OBSOLETE	35280	8820	735	6	7	-6
OBSOLETE	51840	12960	1080	4	7	-5
OBSOLETE	4320	1080	90	50	7	-4
OBSOLETE	4320	1080	90	48	7	-3
OBSOLETE	4320	1080	90	46	7	-2
OBSOLETE	4320	1080	90	44	7	-1
OBSOLETE	5040	1260	105	42	7	0
OBSOLETE	5040	1260	105	40	6	-9
OBSOLETE	5040	1260	105	38	6	-8
OBSOLETE	5760	1440	120	36	6	-7
OBSOLETE	5760	1440	120	34	6	-6
OBSOLETE	6480	1620	135	32	6	-5
OBSOLETE	7200	1800	150	30	6	-4
OBSOLETE	7200	1800	150	28	6	-3
OBSOLETE	7920	1980	165	26	6	-2
OBSOLETE	8640	2160	180	24	6	-1
OBSOLETE	9360	2340	195	22	6	0
OBSOLETE	10080	2520	210	20	5	-9
OBSOLETE	11520	2880	240	18	5	-8
OBSOLETE	12960	3240	270	16	5	-7
OBSOLETE	15120	3780	315	14	5	-6
OBSOLETE	17280	4320	360	12	5	-5
OBSOLETE	20880	5220	435	10	5	-4
OBSOLETE	26640	6660	555	8	5	-3
OBSOLETE	35280	8820	735	6	5	-2
OBSOLETE	51840	12960	1080	4	5	-1

OBSOLETE	"L"	Pcs/Carton	Pcs/Inner Carton	Pcs/BOX	POS.	PART NUMBER
OBSOLETE	5040	1260	105	40	4	-9
OBSOLETE	4320	1080	90	50	4	-8
OBSOLETE	4320	1080	90	48	4	-7
OBSOLETE	4320	1080	90	46	4	-6
OBSOLETE	4320	1080	90	44	4	-5
OBSOLETE	5040	1260	105	42	4	-4
OBSOLETE	5040	1260	105	40	4	-3
OBSOLETE	5040	1260	105	38	4	-2
OBSOLETE	5760	1440	120	36	4	-1
OBSOLETE	5760	1440	120	34	4	0
OBSOLETE	6480	1620	135	32	3	-9
OBSOLETE	7200	1800	150	30	3	-8
OBSOLETE	7200	1800	150	28	3	-7
OBSOLETE	7920	1980	165	26	3	-6
OBSOLETE	8640	2160	180	24	3	-5
OBSOLETE	9360	2340	195	22	3	-4
OBSOLETE	10080	2520	210	20	3	-3
OBSOLETE	11520	2880	240	18	3	-2
OBSOLETE	12960	3240	270	16	3	-1
OBSOLETE	15120	3780	315	14	3	0
OBSOLETE	17280	4320	360	12	2	-9
OBSOLETE	20880	5220	435	10	2	-8
OBSOLETE	26640	6660	555	8	2	-7
OBSOLETE	35280	8820	735	6	2	-6
OBSOLETE	51840	12960	1080	4	2	-5
OBSOLETE	4320	1080	90	50	2	-4
OBSOLETE	4320	1080	90	48	2	-3
OBSOLETE	4320	1080	90	46	2	-2
OBSOLETE	4320	1080	90	44	2	-1
OBSOLETE	5040	1260	105	42	2	0
OBSOLETE	5040	1260	105	40	1	-9
OBSOLETE	5040	1260	105	38	1	-8
OBSOLETE	5760	1440	120	36	1	-7
OBSOLETE	5760	1440	120	34	1	-6
OBSOLETE	6480	1620	135	32	1	-5
OBSOLETE	7200	1800	150	30	1	-4
OBSOLETE	7200	1800	150	28	1	-3
OBSOLETE	7920	1980	165	26	1	-2
OBSOLETE	8640	2160	180	24	1	-1
OBSOLETE	9360	2340	195	22	1	0
OBSOLETE	10080	2520	210	20		-9
OBSOLETE	11520	2880	240	18		-8
OBSOLETE	12960	3240	270	16		-7
OBSOLETE	15120	3780	315	14		-6
OBSOLETE	17280	4320	360	12		-5
OBSOLETE	20880	5220	435	10		-4
OBSOLETE	26640	6660	555	8		-3
OBSOLETE	35280	8820	735	6		-2
OBSOLETE	51840	12960	1080	4		-1

THIS DRAWING IS A CONTROLLED DOCUMENT.		DWN O.HU 30-NOV-2001	STE TE Connectivity	
		CHK J.CHENG 30-NOV-2001		
DIMENSIONS: mm		APVD J.WU 30-NOV-2001	NAME	
TOLERANCES UNLESS OTHERWISE SPECIFIED: 0 PLC ± - 1 PLC ± 0.15 2 PLC ± 0.10 3 PLC ± 0.05 4 PLC ± - ANGLES ± 3'		PRODUCT SPEC 108-57197	AMPMODU 2.0mm PITCH REC CONN,VERTICAL MOUNT TYPE	
MATERIAL SEE SHEET 1		APPLICATION SPEC -	SIZE A3	CAGE CODE -
FINISH SEE SHEET 1		WEIGHT -	DRAWING NO C-1470209	RESTRICTED TO -
CUSTOMER DRAWING			SCALE 1:1	SHEET 2 OF 2
			REV E3	