

# Customer Information Sheet

DRAWING No.: M80-4D1XXXXFC

SHT 2 OF 2

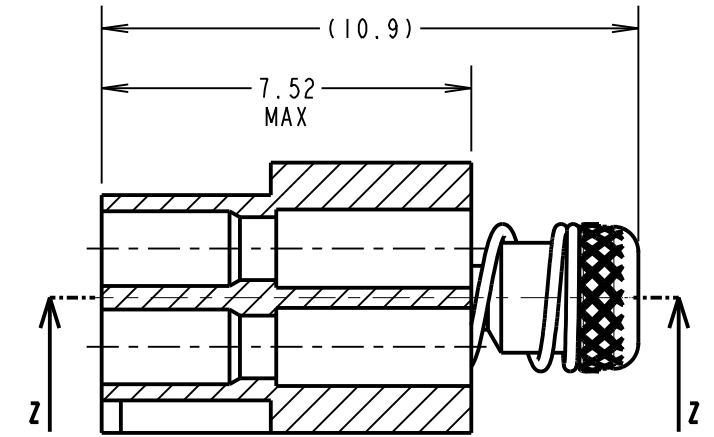
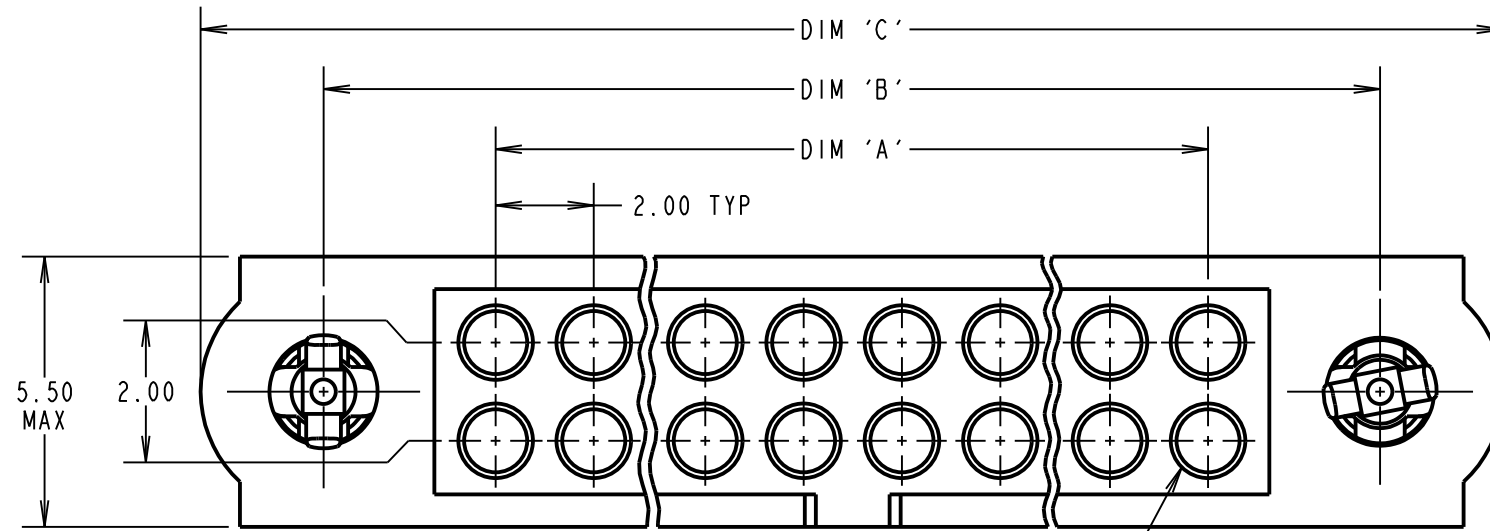
IF IN DOUBT - ASK

©

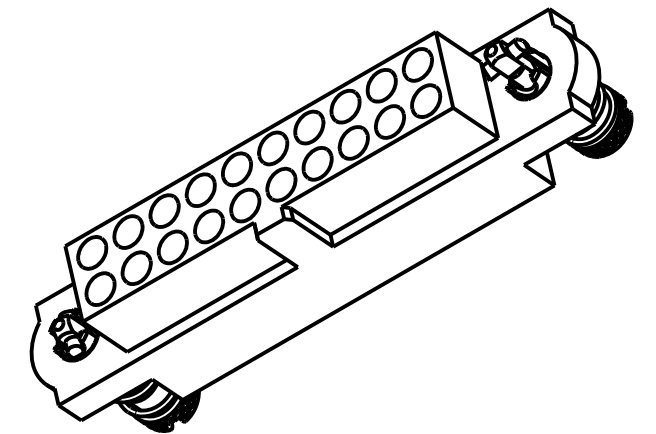
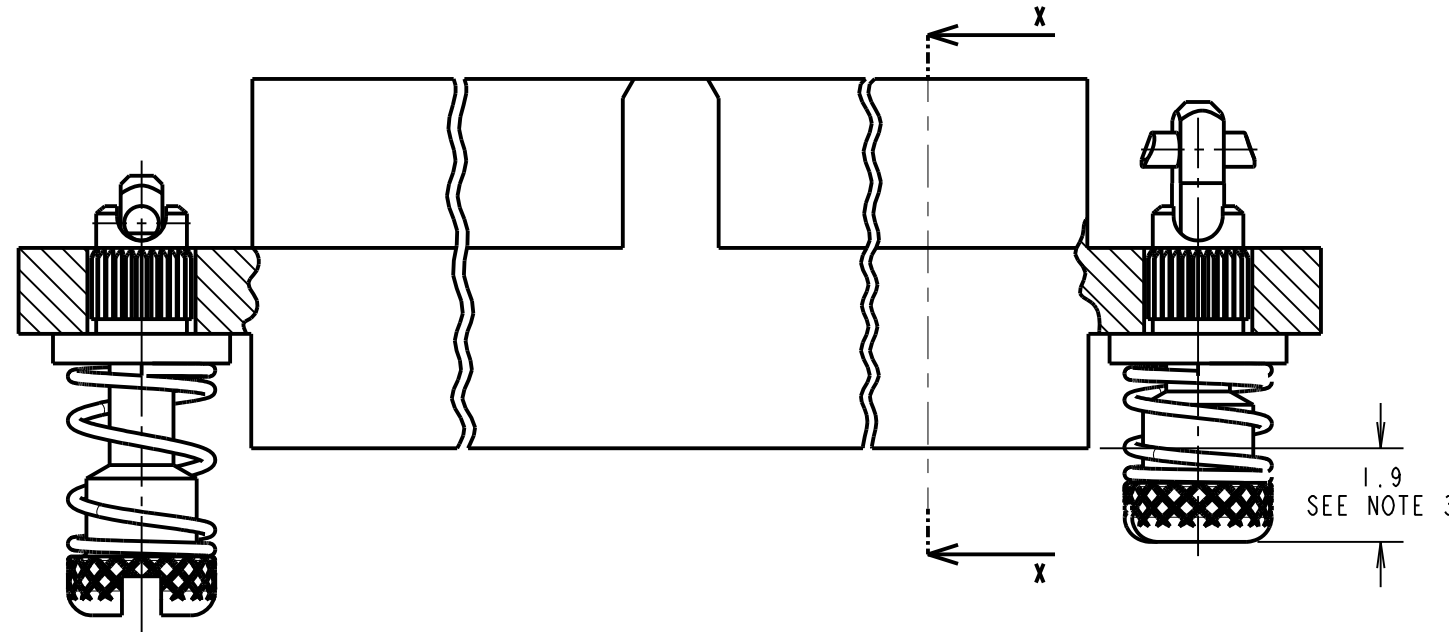
NOT TO SCALE

THIRD ANGLE PROJECTION

ALL DIMENSIONS IN mm



CONTACT No. 1



**SPECIFICATIONS:**

MATERIAL:  
MOULDING = GLASS-FILLED PPS, UL94V-0, BLACK

ENVIRONMENTAL:  
TEMPERATURE RANGE = -55°C TO +125°C

PACKING:  
BAG

FOR COMPLETE SPECIFICATION, SEE COMPONENT SPECIFICATION C005XX (LATEST ISSUE)

DIMENSION	CALCULATION
DIM 'A'	TOTAL No. OF POSITIONS - 2
DIM 'B'	TOTAL No. OF POSITIONS + 5
DIM 'C'	TOTAL NUMBER POSITIONS + 10

EXAMPLE ORDER CODE: HOUSING WITH 20 POSITIONS AND FIXINGS

**M80-4182098**

DIM 'A' = 18.00mm, DIM 'B' = 25.00mm, DIM 'C' = 30.00mm.

**NOTES:**

- HOUSING TO BE USED WITH M80-2060005 CONTACTS. CONTACTS SOLD SEPERATELY.
- FOR ASSEMBLY INSTRUCTIONS, SEE IS-25.
- LENGTH WILL BE 1.9 WHEN IOILOK SCREWS ARE ENGAGED WITH RETAINERS IN MATING CONNECTOR.

ORDER CODE:

**M80-418XX98**

TOTAL No. OF POSITIONS \_\_\_\_\_  
04 TO 50  
(EVEN NUMBERS ONLY)

MSP	1	10.04.17	-----
NAME	ISS.	DATE	C/NOTE
APPROVED: M.PERREN			
CHECKED: S.FLOWER			
DRAWN: M.PERREN			
CUSTOMER REF.:			
ASSEMBLY DRG:			

**HARWIN**

www.harwin.com  
technical@harwin.com

THIS DRAWING AND ANY INFORMATION OR DESCRIPTIVE MATTER SET OUT HEREON ARE CONFIDENTIAL AND COPYRIGHT PROPERTY OF THE HARWIN GROUP AND MUST NOT BE DISCLOSED, LOANED, COPIED OR USED FOR MANUFACTURING, TENDERING OR FOR ANY OTHER PURPOSE WITHOUT THEIR WRITTEN PERMISSION.

TOLERANCES  
X. = ±1mm  
X.X = ±0.25mm  
X.XX = ±0.10mm  
X.XXX = ±0.01mm  
ANGLES = ±5°  
UNLESS STATED

MATERIAL: SEE ABOVE  
FINISH: SEE ABOVE  
S/AREA: mm<sup>2</sup>

TITLE: FEMALE T-CONTACT J-TEK CRIMP CONNECTOR WITH IOILOK JACKSCREWS

DRAWING NUMBER: **M80-418XX98**

SHT 2 OF 2