

1

2

3

4

5

6

7

A

A

B

B

C

C

D

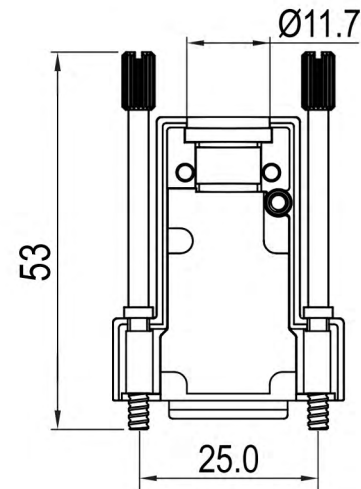
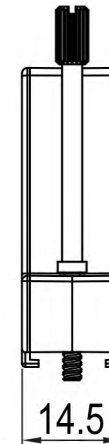
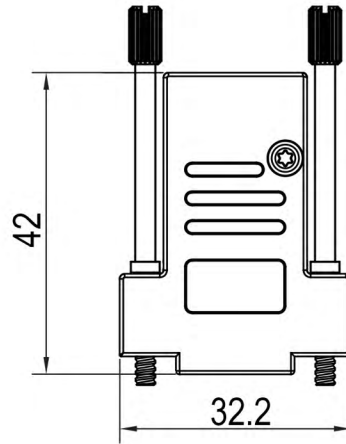
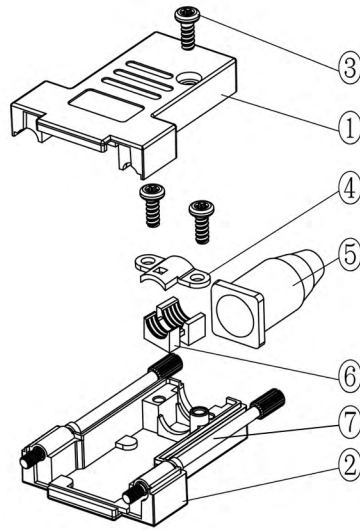
D

E

E

F

F



TECHNICAL SPECIFICATIONS

Material: Zinc
 Plating: Nickel
 Operating Temperature: -25°C to +90°C
 Thumbscrews: UNC 4-40

No. of contacts: 09-15-25-37

Item	QTY	Part description
1	1	Upper Cover
2	1	Lower Cover
3	3	TX M2.5x6 Screw
4	1	Cable Clamp
5	1	Rubber Grommet
6	1	Plastic Insert
7	2	Thumbscrew UNC4-40x53

RoHS compliant
 Unit: mm

Scale	Free				Date	Name	Customer-No.	
TOLERANCE					Drawn	17.08.2017	S.Bölling	
0~6	±0.10				Approved	17.08.2017	S.Bölling	
6~30	±0.20							
30~120	±0.30							
120~400	±0.50							
DIM	Tol							
Angle	±1°	ⓐ	Drawn	17.08.2017				S.Bölling
Angle	Tol	Id.	Modification	Date				Name

Customer-No.
 ASSMANN WSW-No.
ACOV-SUB-09MB36

Drawing-No.
ASS_5277_CO rev00
 Replace
 Sheet 1/4

1

2

3

4

5

6

7

SV4382

1

2

3

4

5

6

7

A

A

B

B

C

C

D

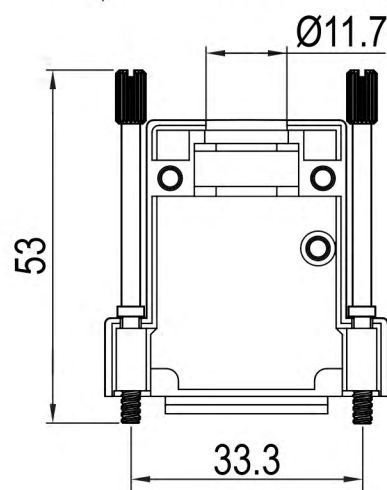
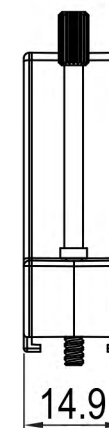
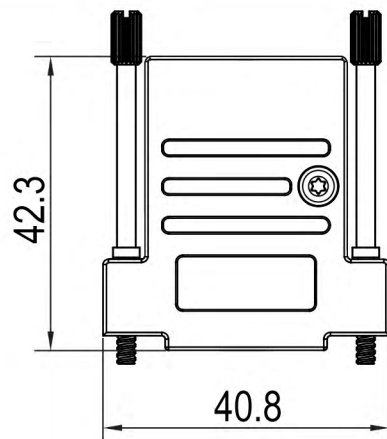
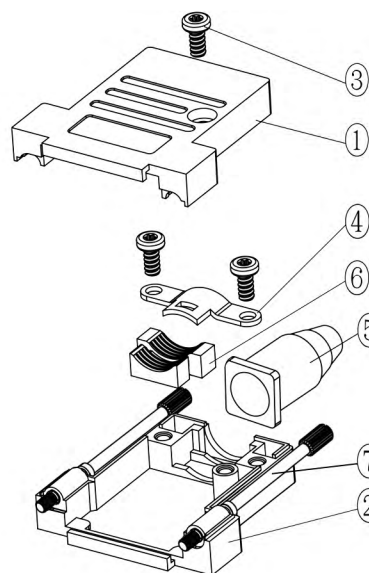
D

E

E

F

F



TECHNICAL SPECIFICATIONS

Material: Zinc
 Plating: Nickel
 Operating Temperature: -25°C to +90°C
 Thumbscrews: UNC4-40

No. of contacts: 09-15-25-37

Item	QTY	Part description
1	1	Upper Cover
2	1	Lower Cover
3	3	M2.5x6 Screw
4	1	Cable Clamp
5	1	Rubber Grommet
6	1	Plastic Insert
7	2	Thumbscrew UNC4-40x53

RoHS compliant
 Unit: mm

Scale	Free				Date	Name	Customer-No.	
TOLERANCE					Drawn	17.08.2017	S.Bölling	
0~6	±0.10				Approved	17.08.2017	S.Bölling	
6~30	±0.20							
30~120	±0.30							
120~400	±0.50							
DIM	Tol							
Angle	±1°	©	Drawn	17.08.2017				S.Bölling
Angle	Tol	Id.	Modification	Date				Name
						Drawing-No.	ASS_5277_CO	rev00
						Replace		Sheet 2/4

G

G

H

H

1

2

3

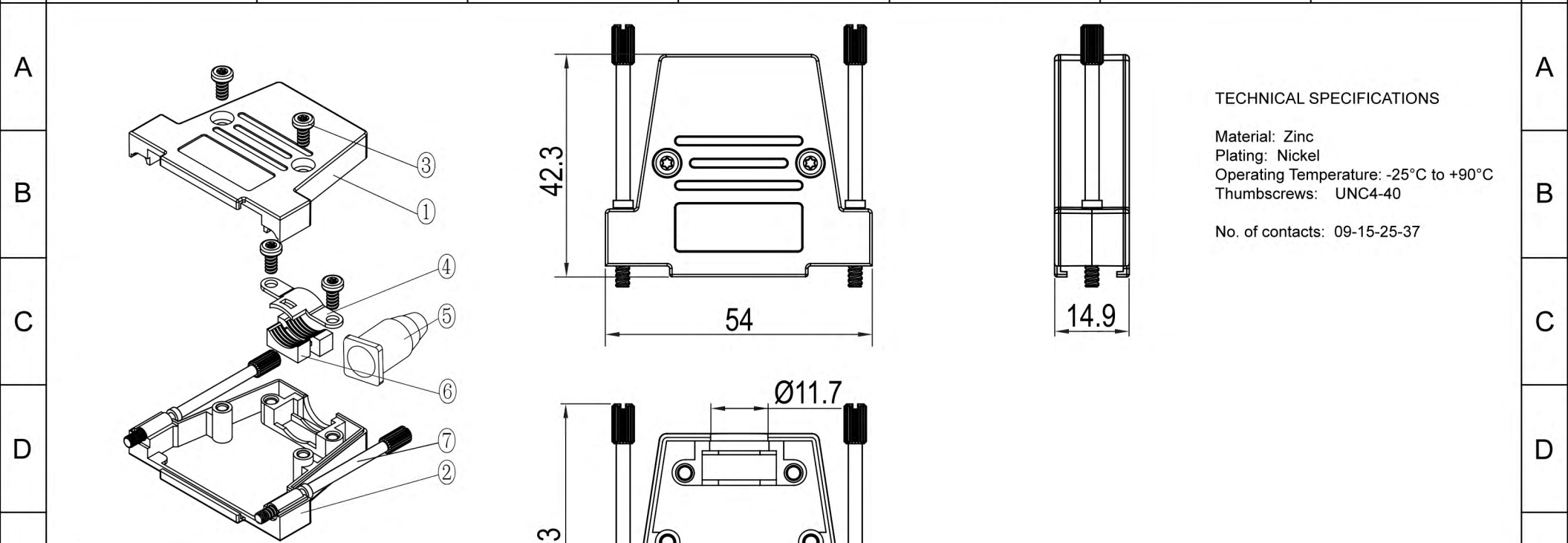
4

5

6

7

SV4382




TECHNICAL SPECIFICATIONS

Material: Zinc
 Plating: Nickel
 Operating Temperature: -25°C to +90°C
 Thumbscrews: UNC4-40

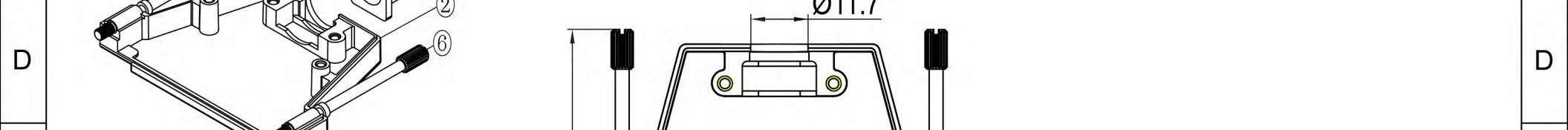
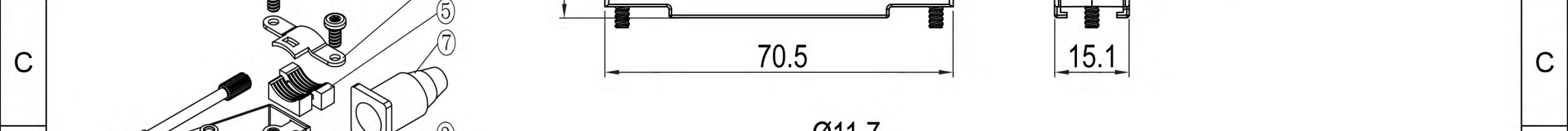
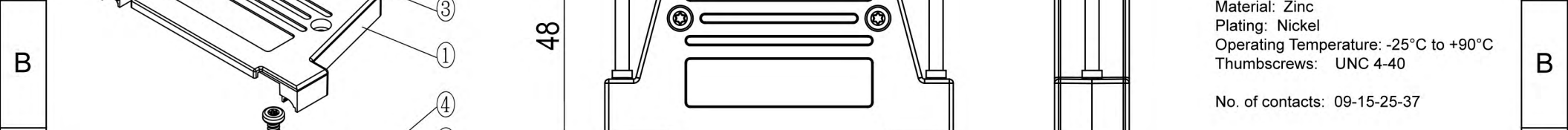
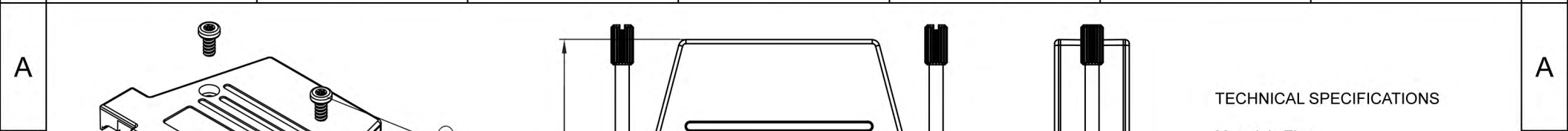
 No. of contacts: 09-15-25-37

Item	QTY	Part description
1	1	Upper Cover
2	1	Lower Cover
3	4	M2.5x6 Screw
4	1	Cable Clamp
5	1	Rubber Grommet
6	1	Plastic Insert
7	2	Thumbscrews UNC4-40x53

RoHS compliant
 Unit: mm

Scale	Free				Date	Name	Customer-No.	
TOLERANCE					Drawn	17.08.2017	S.Bölling	
0~6	±0.10				Approved	17.08.2017	S.Bölling	
6~30	±0.20							
30~120	±0.30							
120~400	±0.50							
DIM	Tol							
Angle	±1°	©	Drawn	17.08.2017				S.Bölling
Angle	Tol	Id.	Modification	Date				Name
							Drawing-No.	
							ASS_5277_CO	rev00
							Replace	Sheet 3/4

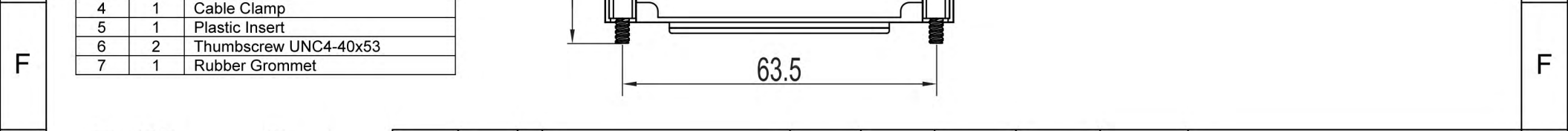
1 2 3 4 5 6 7



TECHNICAL SPECIFICATIONS
 Material: Zinc
 Plating: Nickel
 Operating Temperature: -25°C to +90°C
 Thumbscrews: UNC 4-40
 No. of contacts: 09-15-25-37



Item	QTY	Part description
1	1	Upper Cover
2	1	Lower Cover
3	4	M2.5x6 Screw
4	1	Cable Clamp
5	1	Plastic Insert
6	2	Thumbscrew UNC4-40x53
7	1	Rubber Grommet



RoHS compliant
 Unit: mm

Scale	Free					Date	Name	Customer-No.
TOLERANCE						Drawn	17.08.2017	S.Bölling
0~6	±0.10					Approved	17.08.2017	S.Bölling
6~30	±0.20							
30~120	±0.30							
120~400	±0.50							
DIM	Tol							
Angle	±1°	©	Drawn	17.08.2017	S.Bölling			
Angle	Tol	Id.	Modification	Date	Name			

Customer-No.		
ASSMANN WSW-No.		ACOVSUB-37MB36
Drawing-No.		ASS_5277_CO
Replace	rev00	Sheet 4/4

1 2 3 4 5 6 7