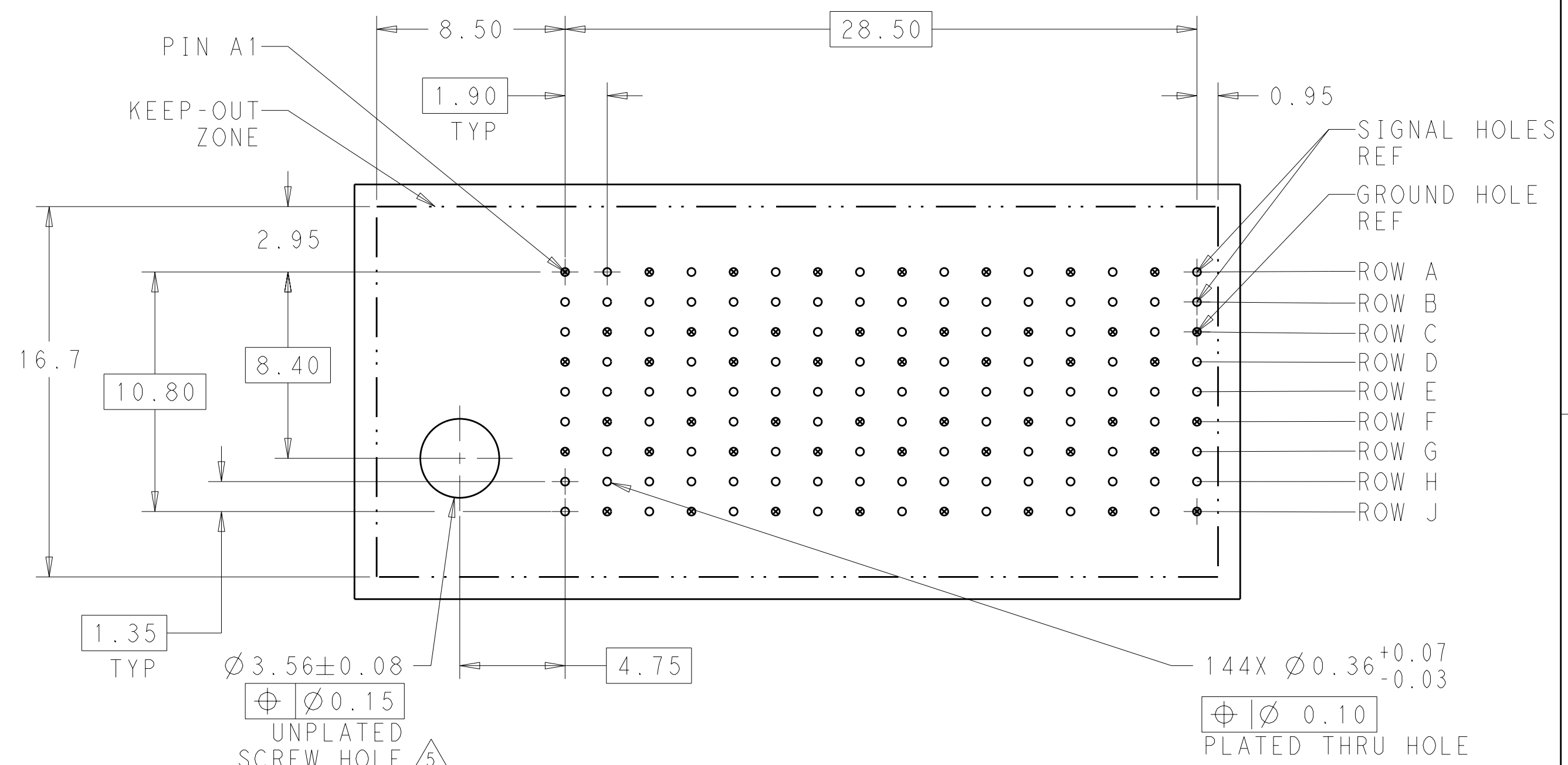
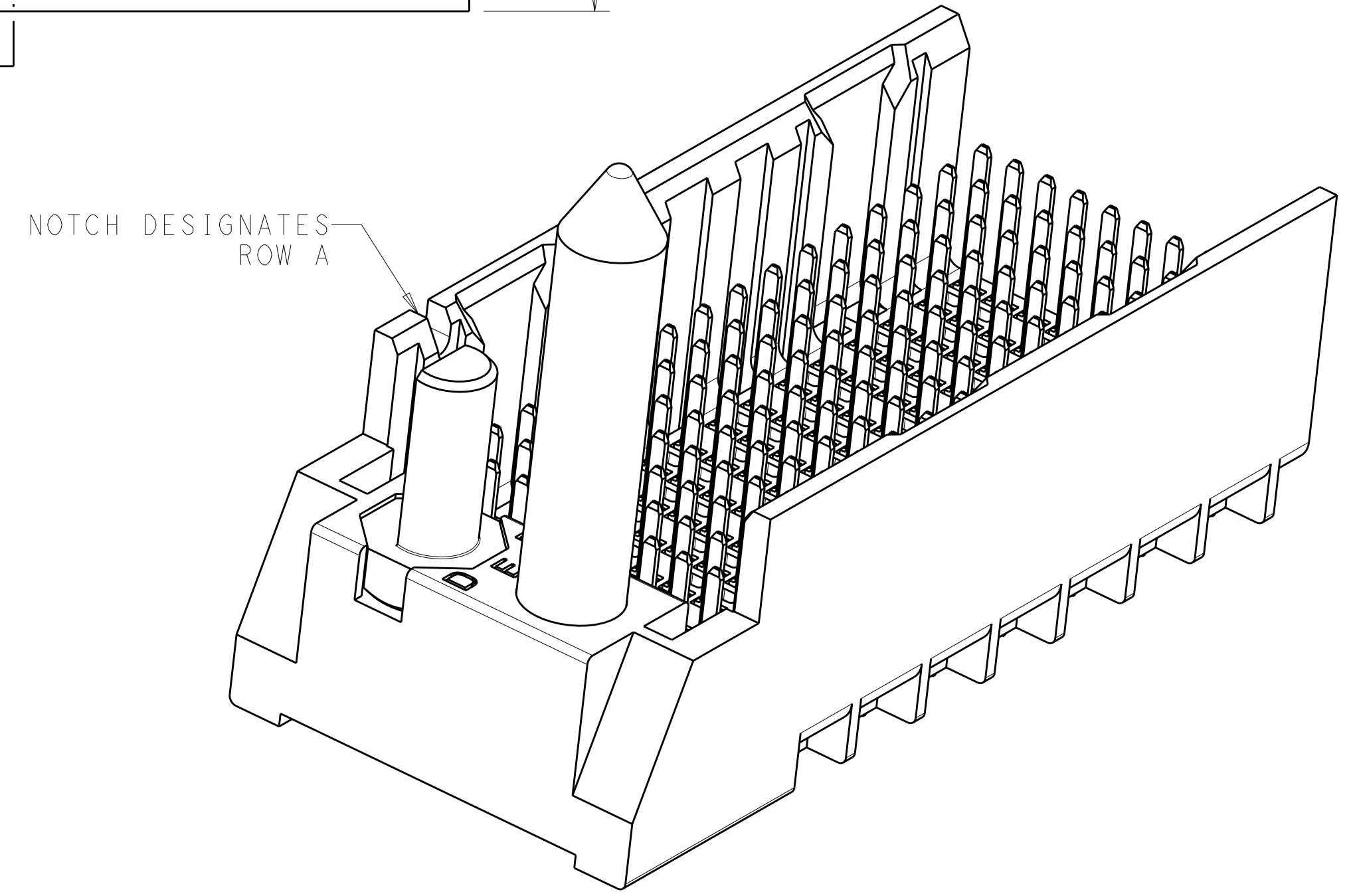
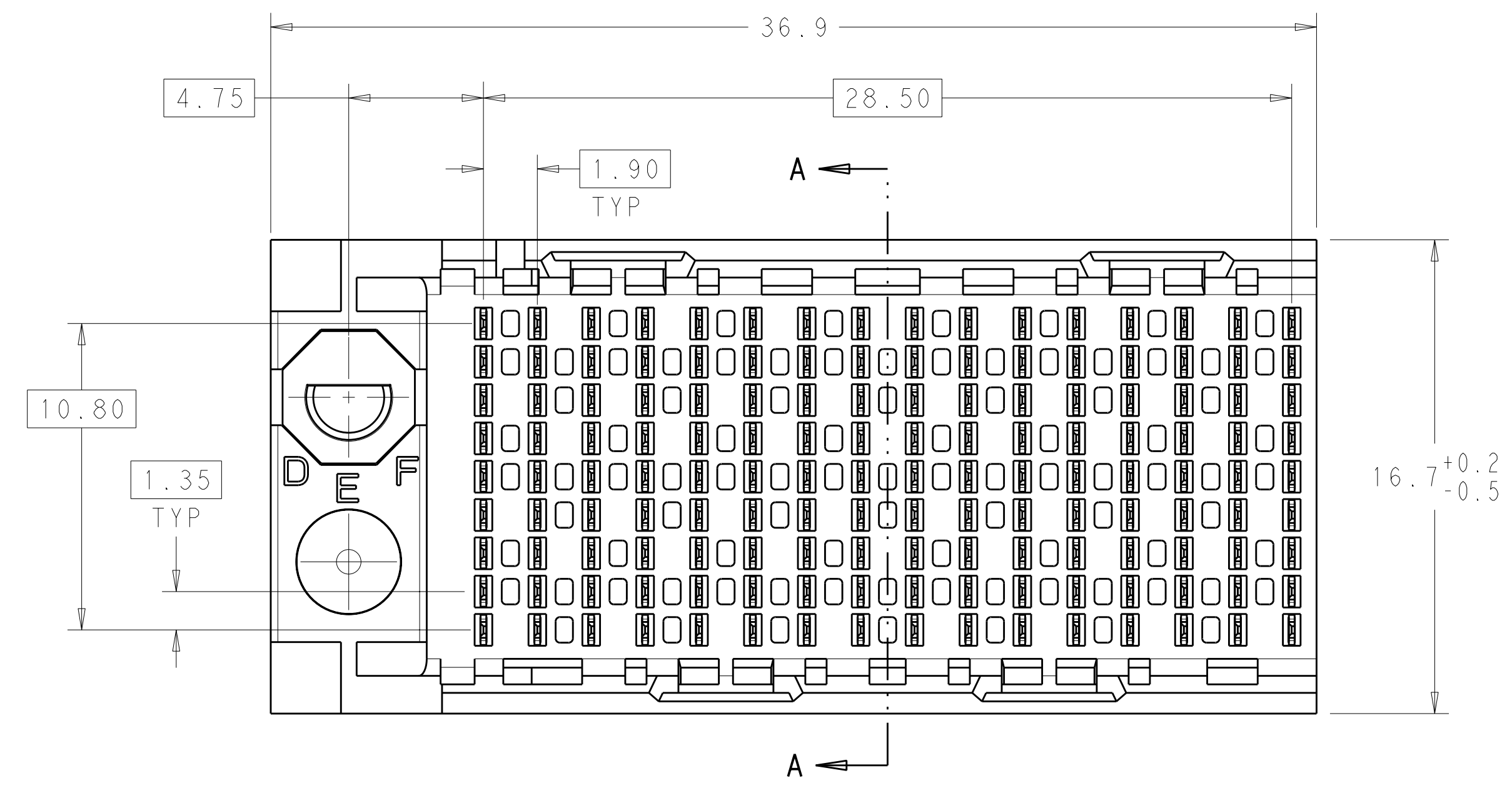
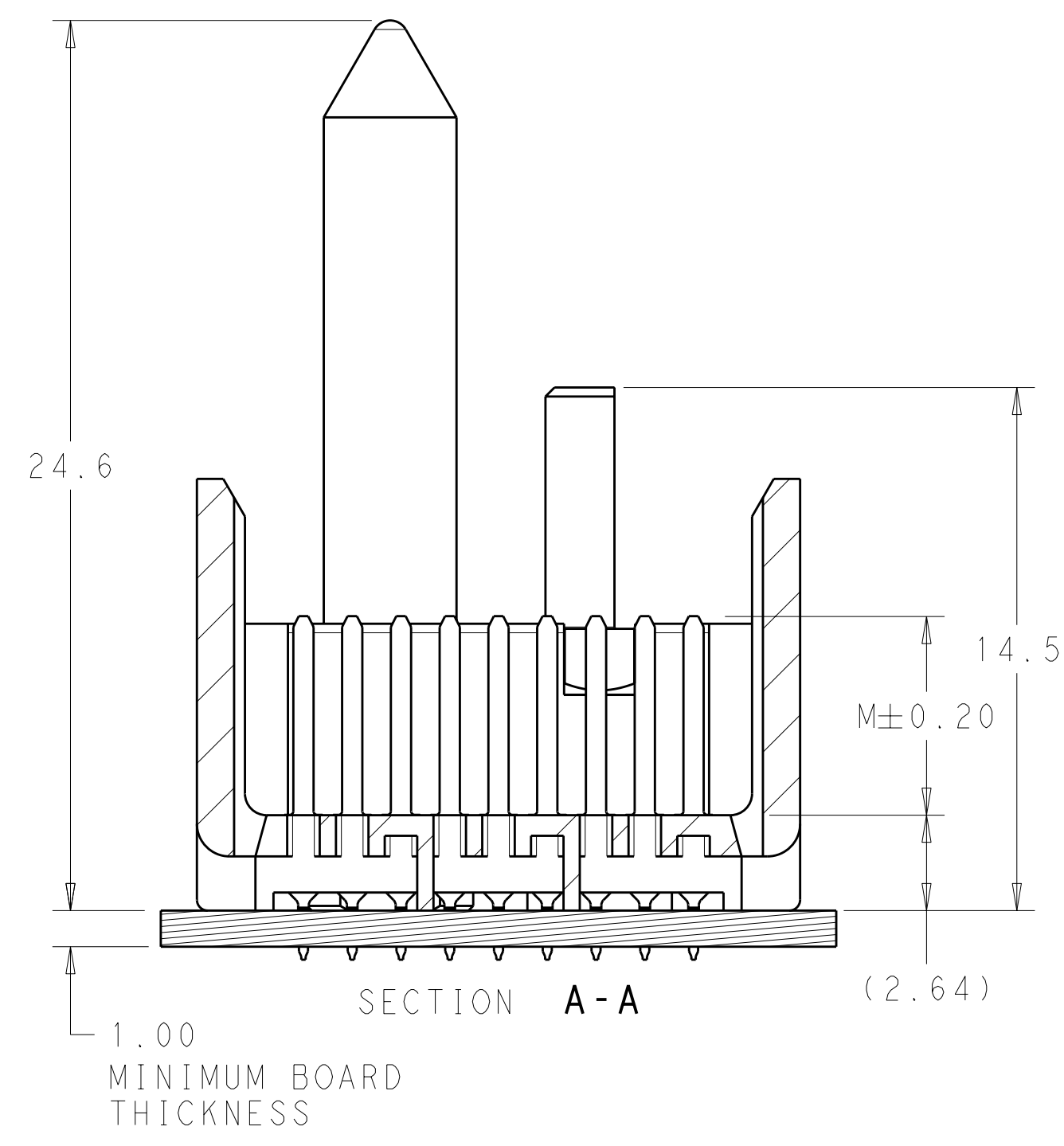
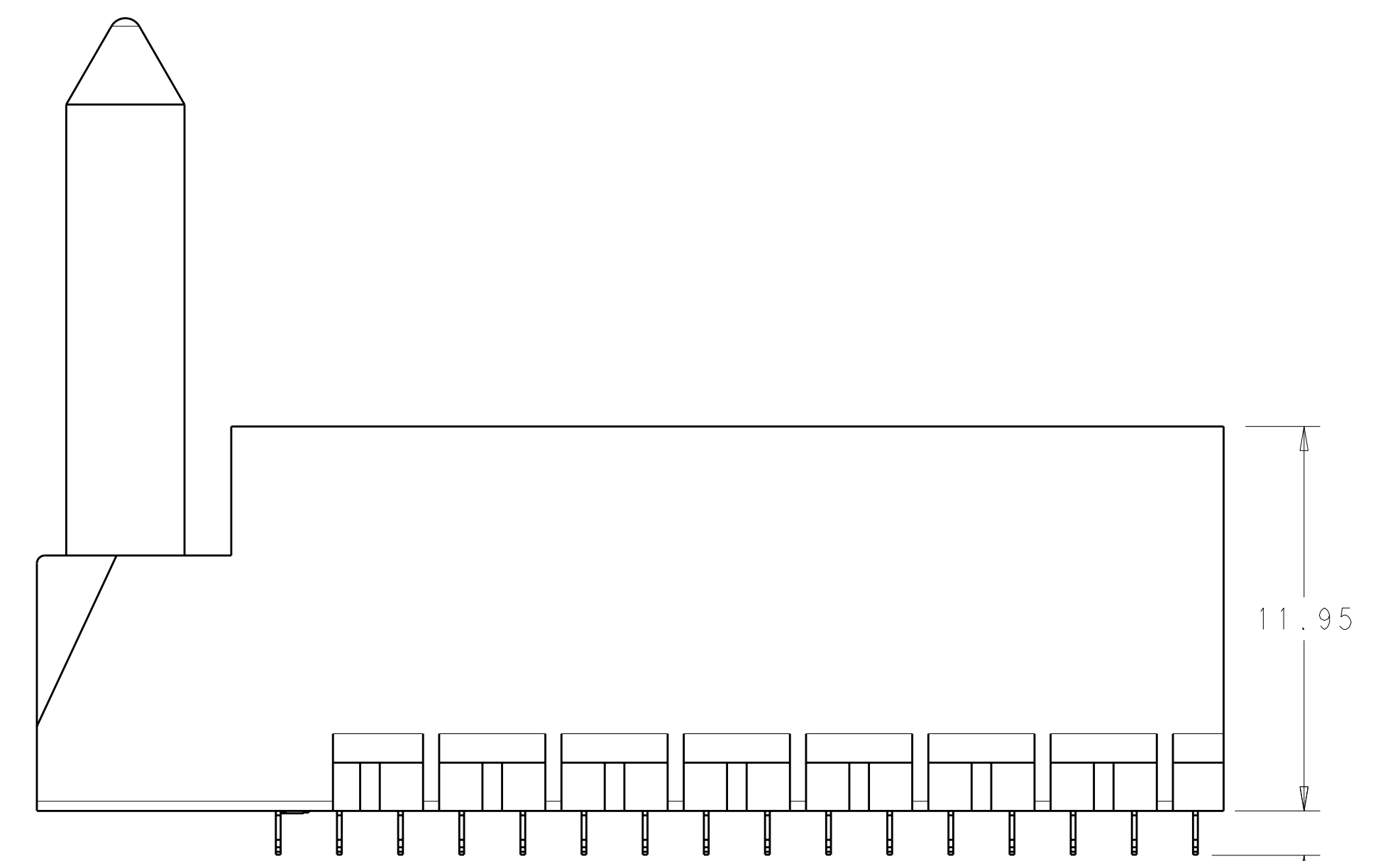


LOC	DIST	REV	DATE	BY	APPD
AD	00	C	23DEC11	KH	DY



- 1 MATERIAL:  
HOUSING: LCP, GLASS FILLED, UL94V-0.  
TERMINALS: HIGH PERFORMANCE COPPER ALLOY.
- 2 FINISH:  
30μ" MIN GOLD IN CONTACT AREA. SELECTIVE TIN  
ON PCB TAILS, NICKEL OVERALL.
- 3 FINISH:  
30μ" MIN GOLD IN CONTACT AREA. SELECTIVE TIN-LEAD  
ON PCB TAILS, NICKEL OVERALL.
- 4. SCREWS PACKAGED IN END OF PACKAGING TUBE.
- 5 FOR GROUNDED GUIDE PIN USE Ø3.56±0.08 PTH,  
Ø3.66 DRILL, AND Ø6.5 PAD.
- 6. KEYING PIN SHOWN IN POSITION A. SEE KEYING CHART  
ON SHEET 2 FOR OTHER POSITIONS.



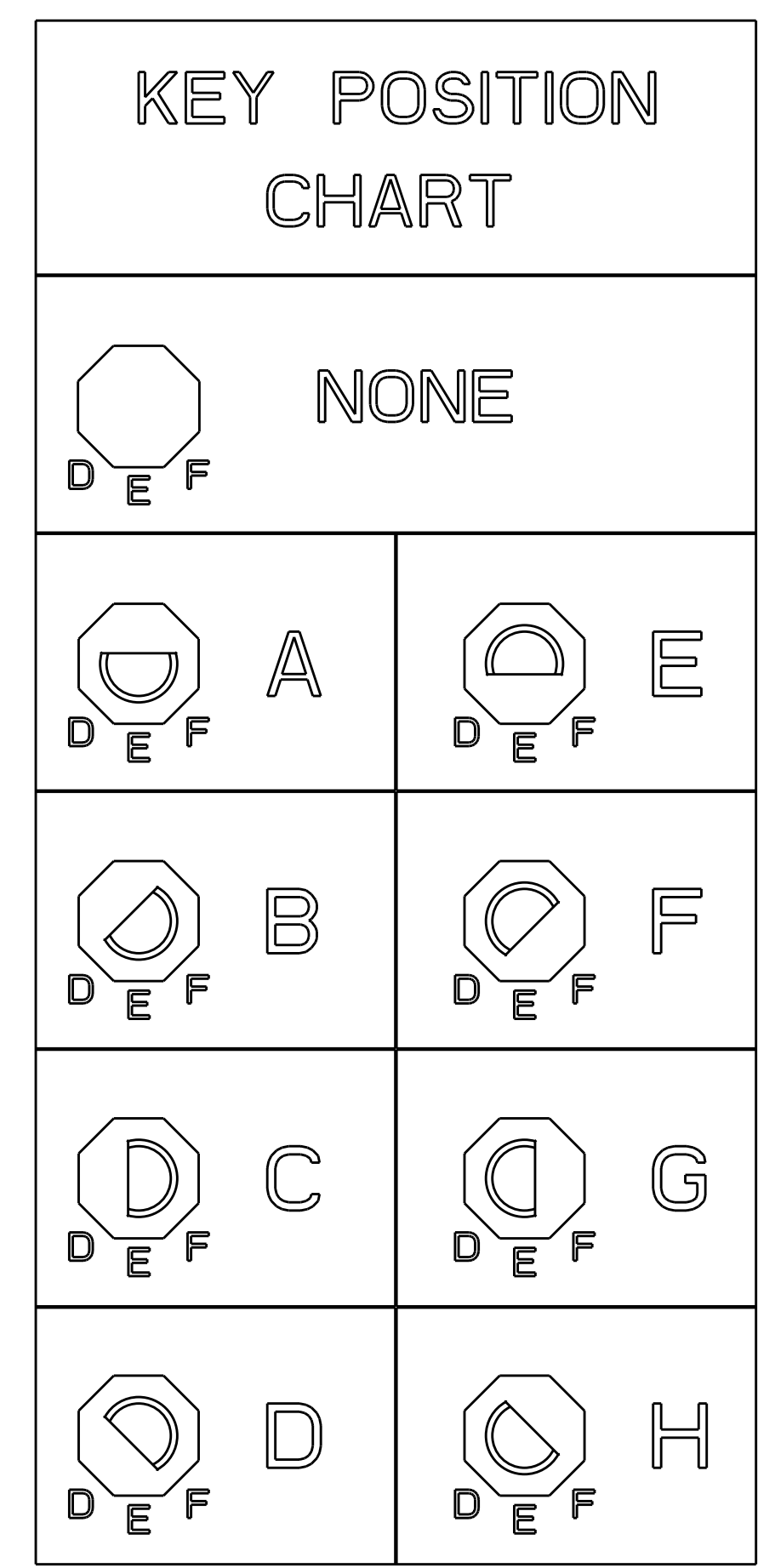
LEFT GUIDED  
BACKPLANE HOLE PATTERN  
(CONNECTOR SIDE)

THIS DRAWING IS A CONTROLLED DOCUMENT.		DWN J. K. SHOBER 23DEC11	TE Connectivity
DIMENSIONS: mm		CHK J. EARY 23DEC11	
TOLERANCES UNLESS OTHERWISE SPECIFIED:		APVD J. EARY 23DEC11	NAME IMPACT, 3 PAIR, 16 COLUMN, HEADER LEFT GUIDED, OPEN END WALL SIGNAL MODULE, 0.36 PTH
9 PLC ±		PRODUCT SPEC	SIZE CAGE CODE DRAWING NO. RESTRICTED TO
1 PLC ±0.25		APPLICATION SPEC	A100779C=2007793
2 PLC ±0.13		WEIGHT	SCALE 6:1 SHEET 1 OF 2 REV C
3 PLC ±		CUSTOMER DRAWING	
4 PLC ±			
ANGLES ±			
FINISH SEE TABLE			

LOC		DIST		REVISIONS			
AD	00	P	LTG	DESCRIPTION	DATE	DWN	APVD
-	-	-	-	SEE SHEET 1	-	-	-

3	H	5.5	8-2007793-6
3	H	4.9	8-2007793-5
3	H	4.5	8-2007793-4
2	H	5.5	8-2007793-3
2	H	4.9	8-2007793-2
2	H	4.5	8-2007793-1
3	G	5.5	7-2007793-6
3	G	4.9	7-2007793-5
3	G	4.5	7-2007793-4
2	G	5.5	7-2007793-3
2	G	4.9	7-2007793-2
2	G	4.5	7-2007793-1
3	F	5.5	6-2007793-6
3	F	4.9	6-2007793-5
3	F	4.5	6-2007793-4
2	F	5.5	6-2007793-3
2	F	4.9	6-2007793-2
2	F	4.5	6-2007793-1
3	E	5.5	5-2007793-6
3	E	4.9	5-2007793-5
3	E	4.5	5-2007793-4
2	E	5.5	5-2007793-3
2	E	4.9	5-2007793-2
2	E	4.5	5-2007793-1
3	D	5.5	4-2007793-6
3	D	4.9	4-2007793-5
3	D	4.5	4-2007793-4
2	D	5.5	4-2007793-3
2	D	4.9	4-2007793-2
2	D	4.5	4-2007793-1
3	C	5.5	3-2007793-6
3	C	4.9	3-2007793-5
3	C	4.5	3-2007793-4
2	C	5.5	3-2007793-3
2	C	4.9	3-2007793-2
2	C	4.5	3-2007793-1
3	B	5.5	2-2007793-6
3	B	4.9	2-2007793-5
3	B	4.5	2-2007793-4
2	B	5.5	2-2007793-3
2	B	4.9	2-2007793-2
2	B	4.5	2-2007793-1
3	A	5.5	1-2007793-6
3	A	4.9	1-2007793-5
3	A	4.5	1-2007793-4
2	A	5.5	1-2007793-3
2	A	4.9	1-2007793-2
2	A	4.5	1-2007793-1
3	-	5.5	2007793-6
3	-	4.9	2007793-5
3	-	4.5	2007793-4
2	-	5.5	2007793-3
2	-	4.9	2007793-2
2	-	4.5	2007793-1
FINISH	KEY POSITION	DIM M	PART NUMBER

REFER TO WWW.TE.COM FOR PRODUCT AVAILABILITY



THIS DRAWING IS A CONTROLLED DOCUMENT.		DWN J. K. SHOBER 23DEC11	<b>TE</b> TE Connectivity
DIMENSIONS: mm		CHK J. EBY 23DEC11	
TOLERANCES UNLESS OTHERWISE SPECIFIED:		APVD J. EBY 23DEC11	NAME: IMPACT, 3 PAIR, 16 COLUMN, HEADER LEFT GUIDED, OPEN END WALL SIGNAL MODULE, 0.36 PTH
9 PLC ± 8 PLC ±0.25 5 PLC ±0.13 4 PLC ± ANGLES ± FINISH SEE TABLE		PRODUCT SPEC	
MATERIAL	SEE TABLE	APPLICATION SPEC	RESTRICTED TO
CUSTOMER DRAWING		WEIGHT	SIZE CAGE CODE DRAWING NO. A100779C=2007793
SCALE 5:1		SHEET 2 OF 2	REV C