

THIS DRAWING IS UNPUBLISHED. RELEASED FOR PUBLICATION
 © COPYRIGHT BY TYCO ELECTRONICS CORPORATION. ALL INTERNATIONAL RIGHTS RESERVED.

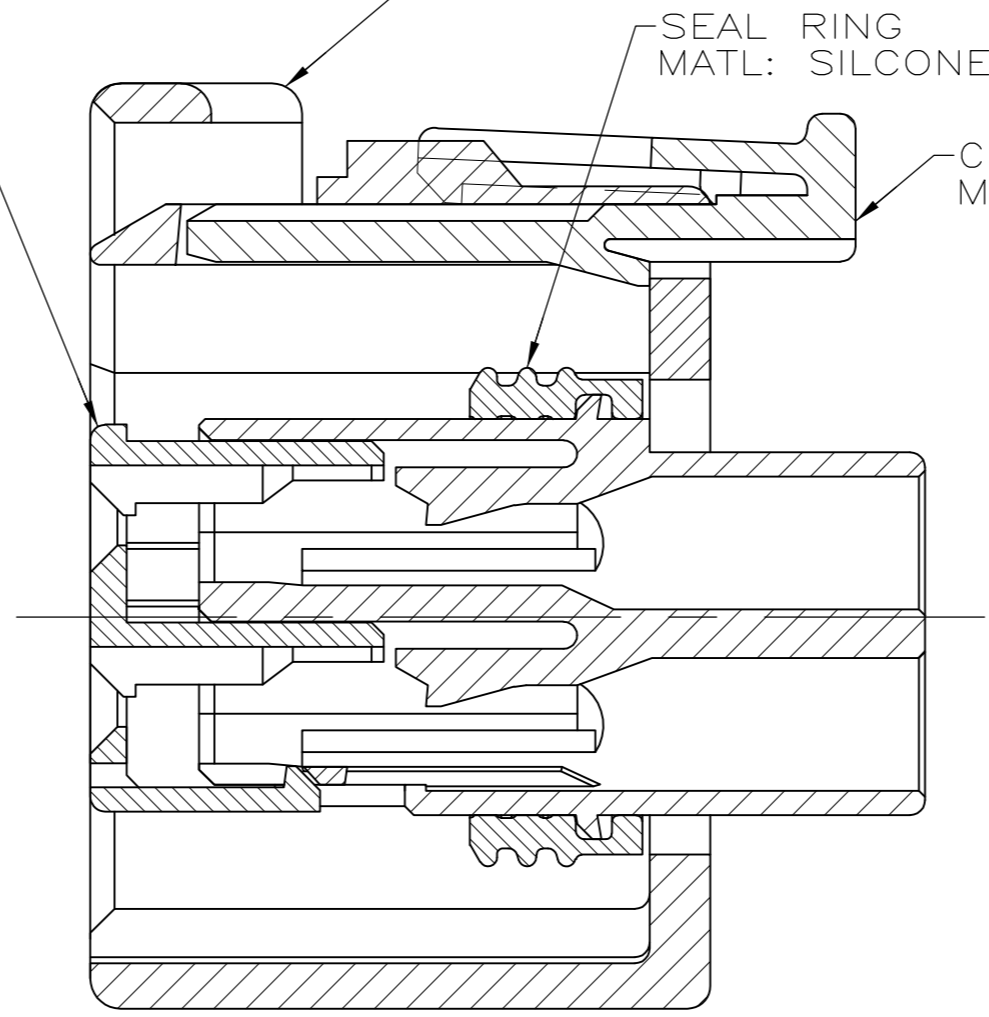
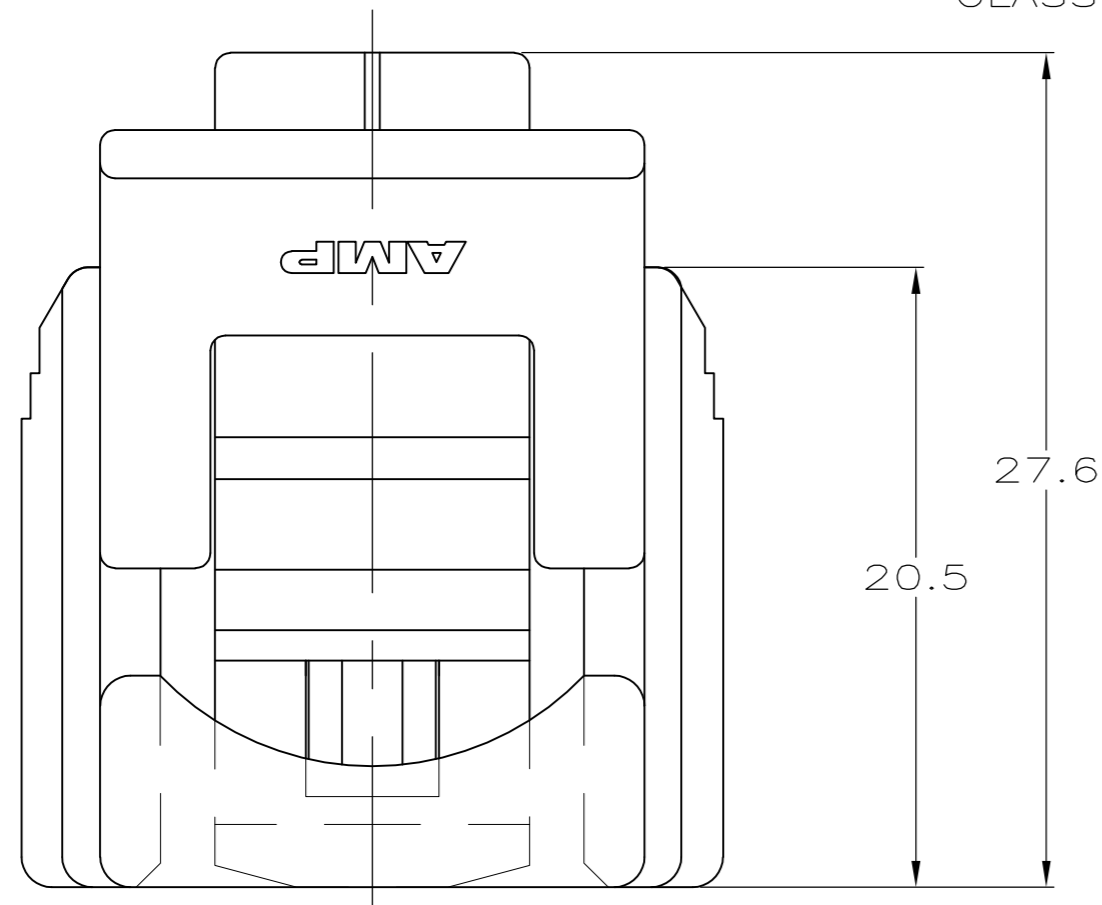
LOC	DIST	REVISIONS					
GE	00	P	LTR	DESCRIPTION	DATE	DWN	APVD
		H		REVISED PER ECO-09-008507	09APR2009	DD	MB

DBL LOCK PLATE
 MATL: PBT, 15%
 GLASS FILLED

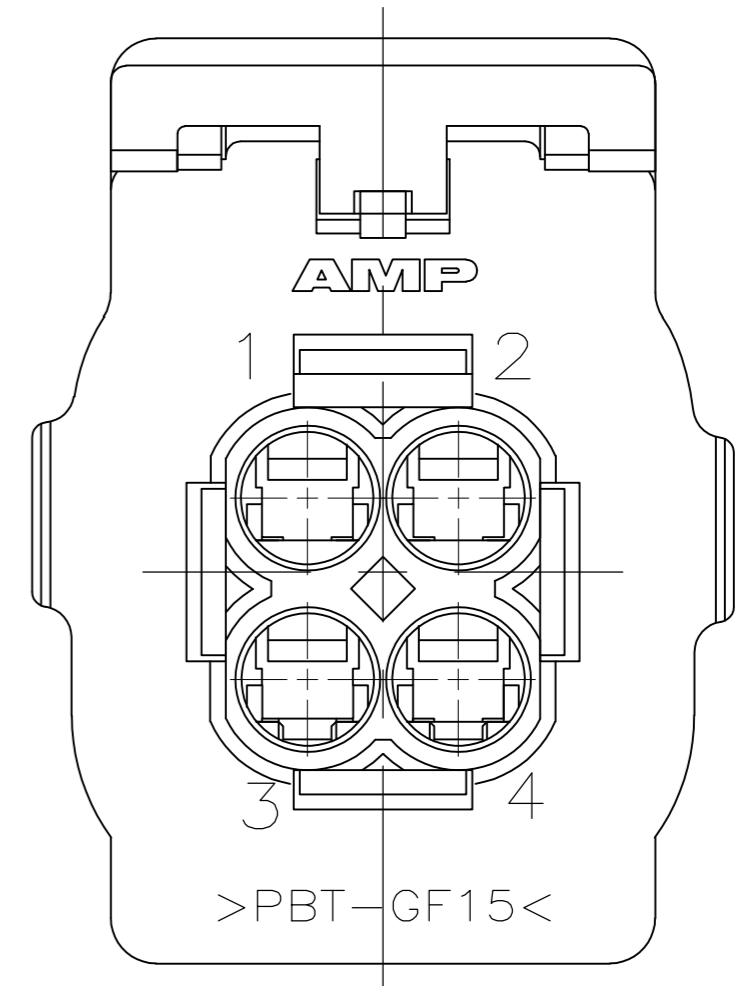
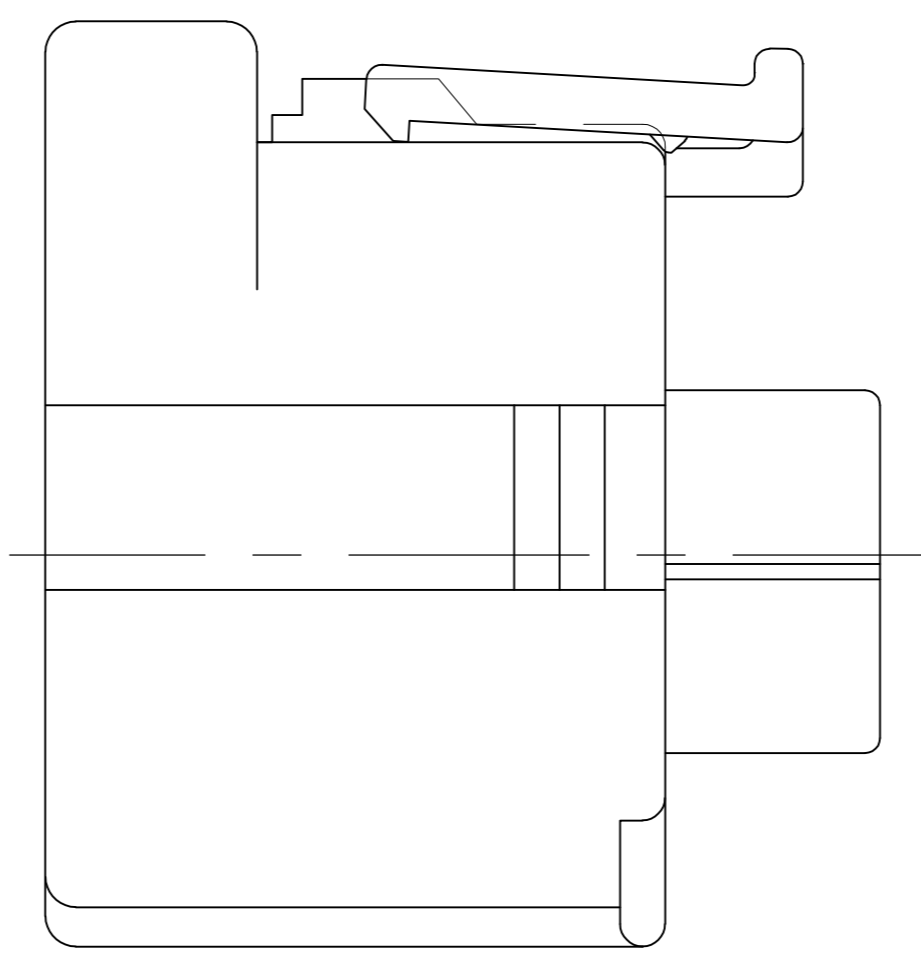
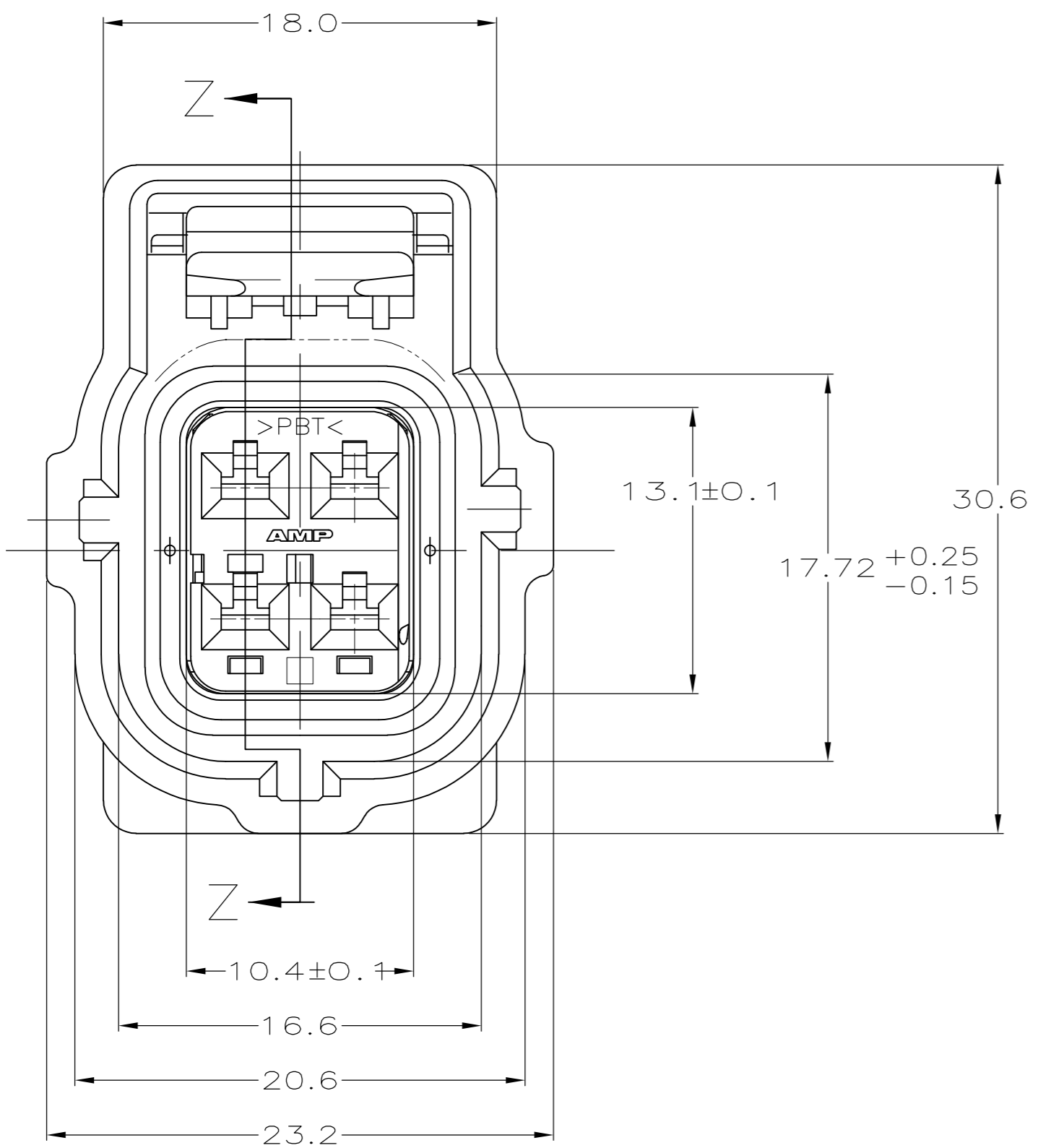
PLUG HOUSING
 MAT'L: PBT, 15% GLASS FILLED

SEAL RING
 MATL: SILICONE RUBBER

CPA
 MATL: PBT



SECTION Z-Z
 SCALE 4:1



BLACK	184344-1
PLUG COLOR	PART NUMBER

THIS DRAWING IS A CONTROLLED DOCUMENT.		DWN P. YEAGER 03AUG99	Tyco Electronics Corporation Harrisburg, PA 17105-3608
DIMENSIONS: mm		CHK G. INHOFFER 03AUG99	
TOLERANCES UNLESS OTHERWISE SPECIFIED:		APVD G. INHOFFER 03AUG99	
0 PLC ± - 1 PLC ± 0.3 2 PLC ± 0.15 3 PLC ± - 4 PLC ± - ANGLES ± - FINISH -		NAME	
MATERIAL		PRODUCT SPEC	2 X 2 PLG ASY KEY A-C3 W/CPA
		APPLICATION SPEC	SIZE CAGE CODE DRAWING NO RESTRICTED TO
		WEIGHT	A2 00779 C=184344
		CUSTOMER DRAWING	SCALE 4:1 SHEET 1 of 1 REV H