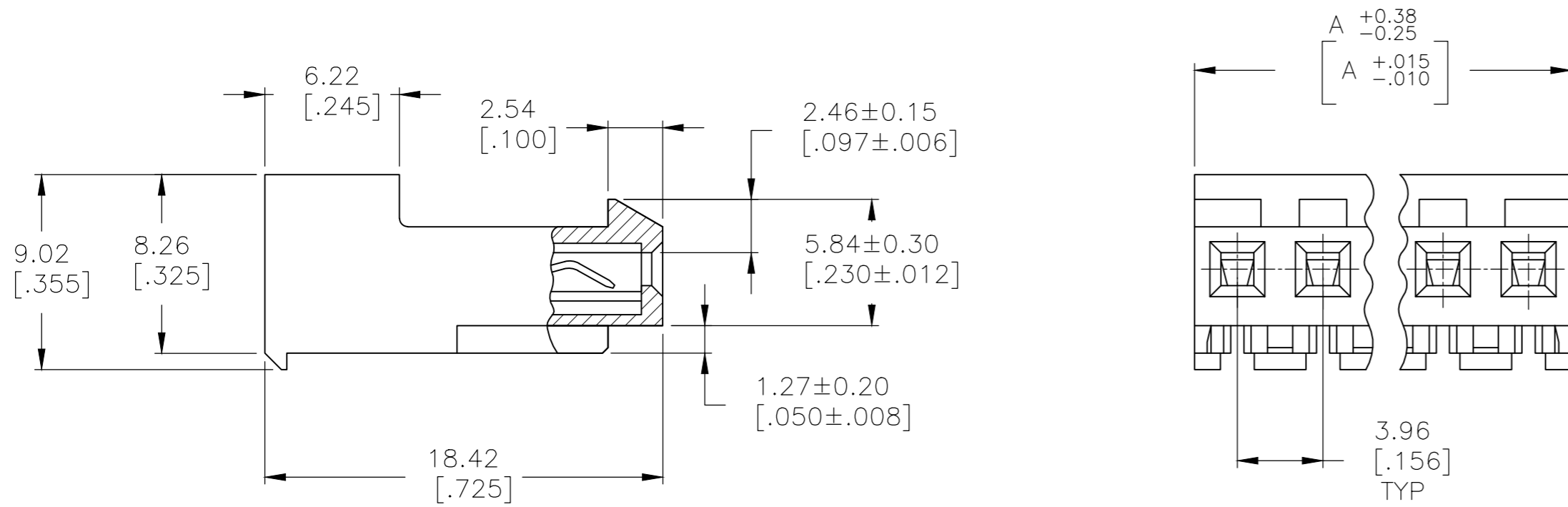
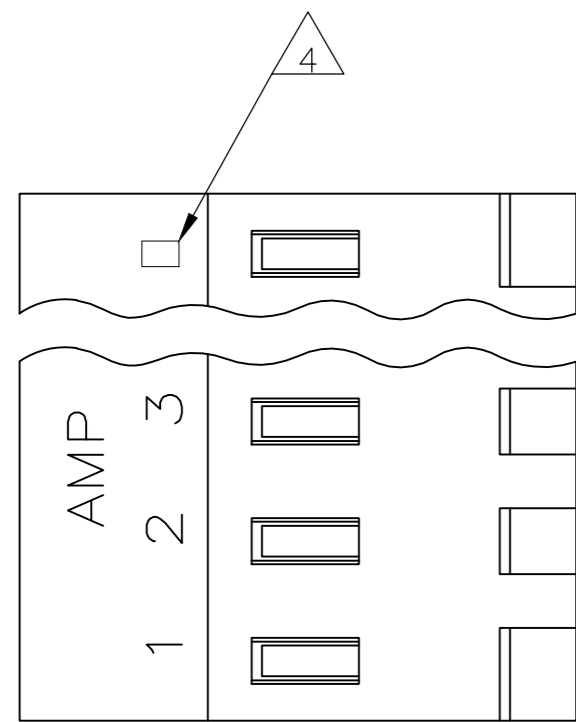


THIS DRAWING IS UNPUBLISHED. RELEASED FOR PUBLICATION
 © COPYRIGHT - By - TE CONNECTIVITY ALL RIGHTS RESERVED.

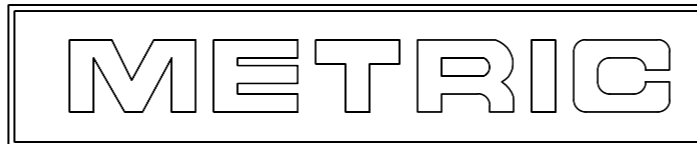
LOC	DIST	REVISIONS					
CM	54	P	LTR	DESCRIPTION	DATE	DWN	APVD
		T		ECR-13-008537	16SEP13	M.T	D.Z
		T1		ECO-14-012257	31OCT2014	KR	OC



95.10	[3.744]	24	5-641219-4
91.14	[3.588]	23	5-641219-3
87.17	[3.432]	22	5-641219-2
83.21	[3.276]	21	5-641219-1
79.25	[3.120]	20	5-641219-0
75.29	[2.964]	19	4-641219-9
71.32	[2.808]	18	4-641219-8
67.36	[2.652]	17	4-641219-7
63.40	[2.496]	16	4-641219-6
59.44	[2.340]	15	4-641219-5
55.47	[2.184]	14	4-641219-4
51.51	[2.028]	13	4-641219-3
47.55	[1.872]	12	4-641219-2
43.59	[1.716]	11	4-641219-1
39.62	[1.560]	10	4-641219-0
35.66	[1.404]	9	3-641219-9
31.70	[1.248]	8	3-641219-8
27.74	[1.092]	7	3-641219-7
23.77	[.936]	6	3-641219-6
19.81	[.780]	5	3-641219-5
15.85	[.624]	4	3-641219-4
11.89	[.468]	3	3-641219-3
7.92	[.312]	2	3-641219-2

7	SUPERCEDED BY 5-641219-4	95.10	[3.744]	24	2-641219-4
7	SUPERCEDED BY 5-641219-3	91.14	[3.588]	23	2-641219-3
7	SUPERCEDED BY 5-641219-2	87.17	[3.432]	22	2-641219-2
7	SUPERCEDED BY 5-641219-1	83.21	[3.276]	21	2-641219-1
7	SUPERCEDED BY 5-641219-0	79.25	[3.120]	20	2-641219-0
7	SUPERCEDED BY 4-641219-9	75.29	[2.964]	19	1-641219-9
7	SUPERCEDED BY 4-641219-8	71.32	[2.808]	18	1-641219-8
7	SUPERCEDED BY 4-641219-7	67.36	[2.652]	17	1-641219-7
7	SUPERCEDED BY 4-641219-6	63.40	[2.496]	16	1-641219-6
7	SUPERCEDED BY 4-641219-5	59.44	[2.340]	15	1-641219-5
7	SUPERCEDED BY 4-641219-4	55.47	[2.184]	14	1-641219-4
7	SUPERCEDED BY 4-641219-3	51.51	[2.028]	13	1-641219-3
7		47.55	[1.872]	12	1-641219-2
7	SUPERCEDED BY 4-641219-1	43.59	[1.716]	11	1-641219-1
7	SUPERCEDED BY 4-641219-0	39.62	[1.560]	10	1-641219-0
7		35.66	[1.404]	9	641219-9
7		31.70	[1.248]	8	641219-8
7		27.74	[1.092]	7	641219-7
7	SUPERCEDED BY 3-641219-6	23.77	[.936]	6	641219-6
7		19.81	[.780]	5	641219-5
7		15.85	[.624]	4	641219-4
7		11.89	[.468]	3	641219-3
7		7.92	[.312]	2	641219-2

- 1 MATERIAL: CONNECTOR - NYLON UL94V-2(RED).
 CONTACTS - 0.30[.012] THICK COPPER ALLOY
 0.00076[.000030] GOLD THK OR 0.00008[.000003] MIN THK
 GOLD FLASH OVER 0.00068[.000027] THK PALLADIUM NICKEL,
 PER TE CONNECTIVITY'S DISCRETION. IN CONTACT
 AREA WITH MATTE TIN FOR 641219-2
 THRU 2-641219-4, MATTE WHISKER MITIGATED TIN FOR 3-641219-2
 THRU 5-641219-4 OVER NICKEL UNDERPLATE.
- 2 CONTACTS ACCEPT 22 AWG WIRE WITH 2.41[.095] MAX
 INSULATION DIAMETER.
- 3 CONTACTS MUST ACCEPT 1.14±0.03 [.045±.001] SQUARE
 POST AND REMAIN LOCKED IN POSITION.
- 4 IDENTIFICATION NUMBER FOR LAST CIRCUIT MAY
 NOT APPEAR ON ALL ASSEMBLIES.
- 5 DIMENSIONS IN BRACKETS ARE IN INCHES.
- 6 HOUSING FEATURES ARE: CLOSED END WITH LOCKING
 RAMP.
- 7 OBSOLETE PARTS: OBSOLETE CIS STREAMLINING PER D.RENAUD/D.SINISI.



THIS DRAWING IS A CONTROLLED DOCUMENT.		DWN B. LEWIS 12 FEB 91		
DIMENSIONS: mm [INCHES]		CHK R. SWING 12 FEB 91		
TOLERANCES UNLESS OTHERWISE SPECIFIED:		APVD D. CLARK 20 FEB 91	NAME	
0 PLC ± - 1 PLC ± - 2 PLC ± - 3 PLC ± - 4 PLC ± - ANGLES ± -		PRODUCT SPEC 108-1051	MTA-156 CONNECTOR ASSEMBLY, 22 AWG, STANDARD	
MATERIAL		APPLICATION SPEC 114-1020	SIZE A2	CAGE CODE 00779
FINISH		WEIGHT -	DRAWING NO C-641219	RESTRICTED TO -
CUSTOMER DRAWING			SCALE 4:1	SHEET 1 OF 1
			REV T1	