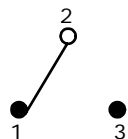


P.C. MOUNTING

SWITCH FUNCTION		
POS. 1	POS. 1	POS. 1
ON	NONE	(ON)
2-3	OPEN	2-1

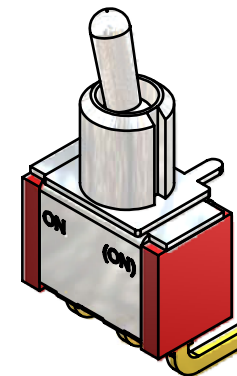
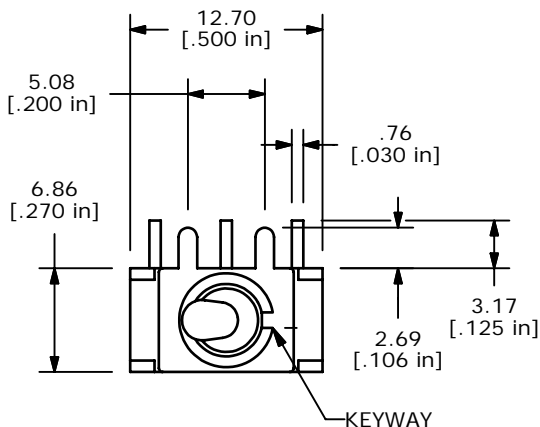
(ON) = MOMENTARY



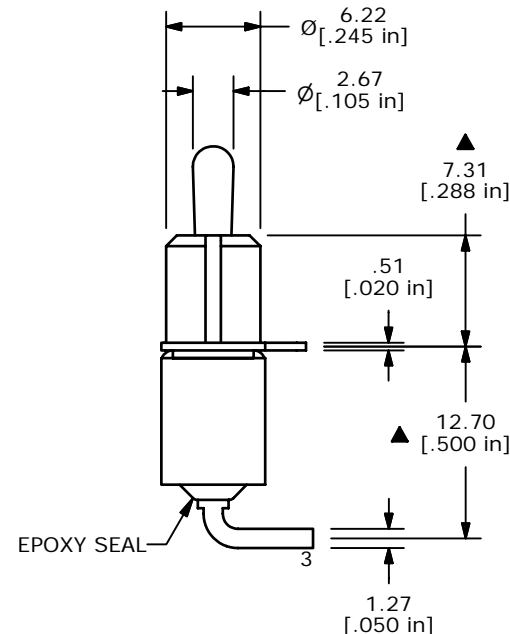
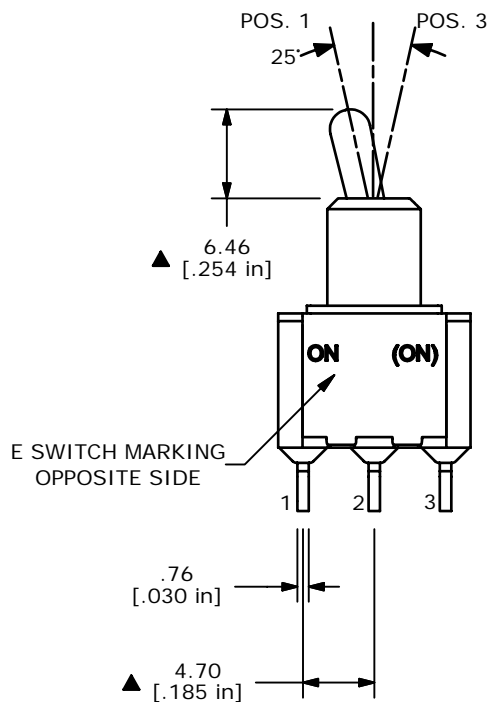
CIRCUIT: SPDT

NOTE:

1. ALL DIMENSIONS IN MM [INCH]
2. GENERAL TOLERANCE: X.X=±0.4
X.XX=±0.25
3. TERMINAL NUMBERS FOR REF ONLY
- ▲4. PLATING MATERIAL: GOLD
5. RATING: 0.4VA @ 20VAC OR VDC MAX.
6. ELECTRIC LIFE: 40,000 make-and-break cycles.
7. INSULATION RESISTANCE: 1,000 Mega-ohm min.
8. DIELECTRIC STRENGTH: 1,000 V RMS @sea level.
9. OPERATING TEMP.: -30°C to 85°C
10. ▲ DENOTES CRITICAL PARAMETER.
11. PACKAGE: TRAY/ 108 PIECES PER.
12. 2002/95/EC (ROHS) COMPLIANT



ISOMETRIC



E-SWITCH™				
TITLE 100SP2T2B4M6RE				
SCALE	DATE	DR	DWG	REV
2:1	4/6/2007	TN	T112059	B

B	17167	FIXED CONTACT MATERIAL	4/6/07	TN
A	17106	RELEASED FOR PRODUCTION	3/16/07	TN
REV	PCR NO	DESCRIPTION	DATE	BY
THE INFORMATION CONTAINED IN THIS DOCUMENT IS PROPRIETARY TO E-SWITCH AND IS NOT TO BE COPIED OR TRANSFERRED				