

# Customer Information Sheet

DRAWING No.: M20-789XXX

SHEET 2 OF 2

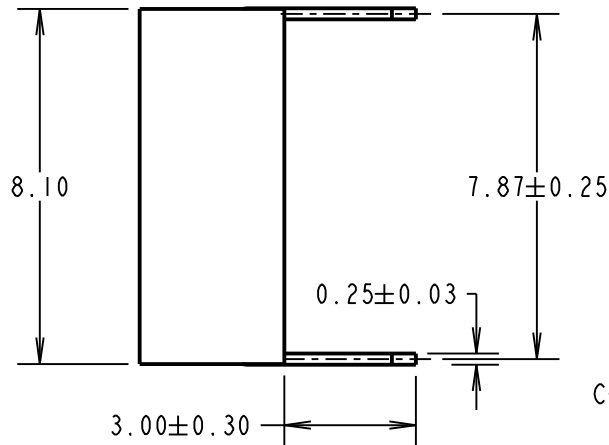
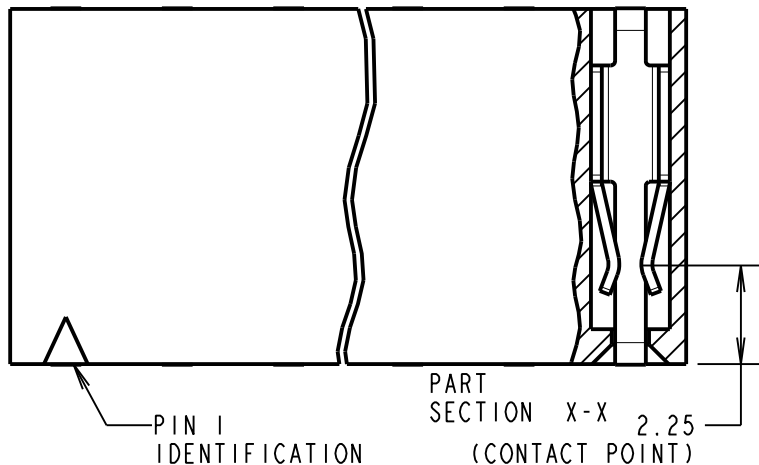
IF IN DOUBT - ASK

©

NOT TO SCALE

THIRD ANGLE PROJECTION

ALL DIMENSIONS IN mm

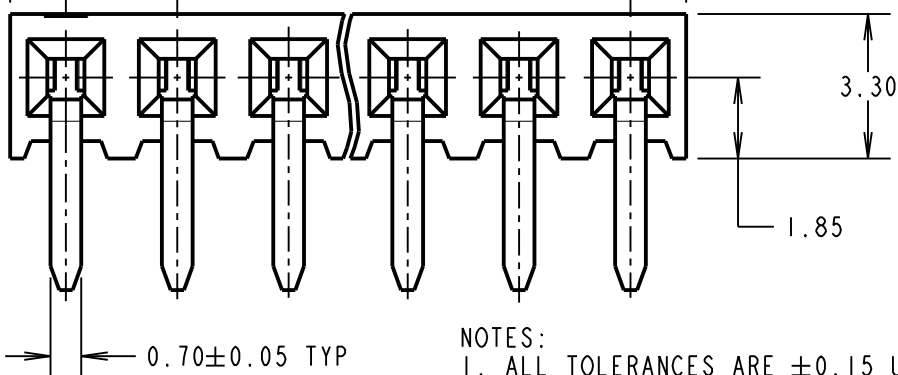
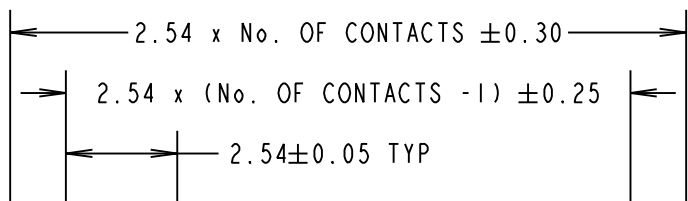
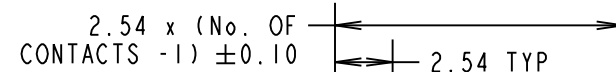


ORDER CODE: **M20-789XXX**

No. OF CONTACTS: \_\_\_\_\_  
02 TO 40

FINISH: \_\_\_\_\_  
42 - SELECTIVE GOLD + 100% TIN  
46 - 100% TIN

RECOMMENDED PCB LAYOUT  
TOLERANCE = ±0.05



**SPECIFICATION:**

**MATERIAL:**  
MOULDING = NYLON 6T, UL94V-0, BLACK  
CONTACTS = PHOSPHOR BRONZE  
FINISH (OVER NICKEL):  
42 = GOLD ON CONTACT AREA,  
2.54µ 100% TIN OVER NICKEL ON TAILS  
46 = 2.54µ 100% TIN OVER NICKEL

**ELECTRICAL:**

CURRENT RATING = 3A  
VOLTAGE PROOF = 500V AC FOR ONE MINUTE  
CONTACT RESISTANCE = 20mΩ MAX  
INSULATION RESISTANCE = 1,000MΩ MIN.

**MECHANICAL:**

**DURABILITY:**  
GOLD = 300 CYCLES MIN  
TIN = 50 CYCLES MIN  
INSERTION FORCE = 2.0N MAX PER PIN  
WITHDRAWAL FORCE = 0.5N MIN PER PIN

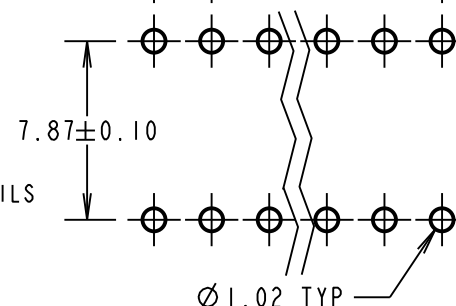
**ENVIRONMENTAL:**

TEMPERATURE RANGE = -40° TO +105°

**PACKING:**

TUBE.

FOR COMPLETE SPECIFICATION SEE COMPONENT SPECIFICATION COOIXX (LATEST ISSUE)



**NOTES:**

1. ALL TOLERANCES ARE ±0.15 UNLESS OTHERWISE STATED.

MSP	13	17.01.17	13421
NAME	ISS.	DATE	C/NOTE
APPROVED:		M. PERREN	
CHECKED:		S. BENNETT	
DRAWN:		J. EVANS	
CUSTOMER REF.:			
ASSEMBLY DRG:			

**HARWIN**

www.harwin.com  
technical@harwin.com

THIS DRAWING AND ANY INFORMATION OR DESCRIPTIVE MATTER SET OUT HEREON ARE CONFIDENTIAL AND COPYRIGHT PROPERTY OF THE HARWIN GROUP AND MUST NOT BE DISCLOSED, LOANED, COPIED OR USED FOR MANUFACTURING, TENDERING OR FOR ANY OTHER PURPOSE WITHOUT THEIR WRITTEN PERMISSION.

**TOLERANCES**  
X = ±1mm  
X.X = ±0.50mm  
X.XX = ±0.10mm  
X.XXX = ±0.01mm  
ANGLES = ±5°  
UNLESS STATED

**MATERIAL:**

SEE ABOVE

**FINISH:**

SEE ABOVE

**S/AREA:**

mm<sup>2</sup>

**TITLE:**

2.54mm PITCH SIL PC TAIL  
HORIZONTAL SOCKET ASSEMBLY

**DRAWING NUMBER:**

**M20-789XXX**

SHT  
2 OF 2