

PRODUCT NUMBER
20020002-XXXXXXLF

20020002 - [] [] [] [] [] [] [] LF

PITCH

G: 5.00 mm
H: 5.08 mm

POLES

02: 2 poles
03: 3 poles
04: 4 poles
|
|
24: 24 poles

LF : DENOTED RoHS COMPATIBLE

1 : STANDARD PRODUCT
W/ BOX PACKING

SCREW CODE

CODE	SCREW TYPE	AVAILABILITY
A	-/+	ON REQUEST ONLY
B	-	STANDARD

ALL FLANGE SCREWS ARE ONLY AVAILABLE IN +/- COMBINATION SCREW TYPES.

PROPERTY TABLE				
FCI SERIES NAME		01-500	01-508	
PITCH (mm)		5.00	5.08	
VOLTAGE RATING (VAC)		300	300	
CURRENT RATING (A)		12	12	
APPLICABLE WIRE RANGE (AWG)	1-WIRE	12~24	12~24	
	2-WIRE	18	18	
WIRE CROSS SECTION (mm ²)	SOLID	1-WIRE	2.5	2.5
		2-WIRE	1.0	1.0
	STRANDED	1-WIRE	2.5	2.5
		2-WIRE	1.5	1.5
OPENING CONTACT HOUSING(mm ²)		2.6x3.2	2.6x3.2	
WIRE STRIP LENGTH(mm)		7~8	7~8	
TORQUE +/-10% (N-m/Lb-in)		0.57/5.0	0.57/5.0	
SCREW		M3x0.5	M3x0.5	
WITHSTANDING VOLTAGE (kV)		1.6	1.6	
OPERATING TEMP. (°C)		-40~+115	-40~+115	
POLES AVAILABLE		02~24	02~24	
SAFETY CERTIFICATE				

HOUSING CODE

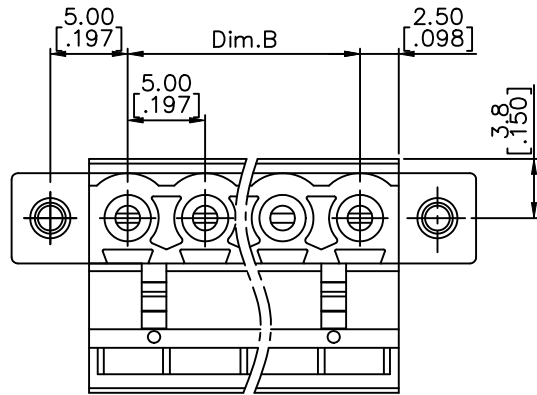
CODE	COLOR	AVAILABILITY
1	GREEN(RAL 6018/T)	STANDARD
2	BLACK	ON REQUEST ONLY
3	GREY(RAL 7004/P)	ON REQUEST ONLY
4	BLUE(RAL 5015/A)	ON REQUEST ONLY

NOTES:

- MATERIALS
1-1 HOUSING: THERMALPLASTIC RESIN, UL 94V-0 RATED.
1-2 SCREW: STEEL, ZINC PLATED.
1-3 CLAMP: COPPER ALLOY, NICKEL PLATED.
1-4 TERMINAL: COPPER ALLOY, TIN PLATED.
- PRODUCT SPECIFICATION REFER TO FCI GS-12-625.
- PRODUCT PACKING SPECIFICATION REFER TO FCI GS-14-1394.
- FCI, SAFETY CERTIFICATE LOGO AND SERIES NAME TO BE SHOWN ON PRODUCT SURFACE.
- THE PRODUCTS WHERE THE PART NUMBER END IN "LF" MEET THE EUROPEAN UNION DIRECTIVE AND OTHER COUNTRY REGULATIONS AS DESCRIBED IN GS-22-008.

mat'l. code				surface ASME Y14.5 ✓		tolerance ASME Y14.5		projection		product family TERMINAL BLOCK	
litr				ecn no		dr		date		title	
A				T10-0082		WL		080510		TERMINAL BLOCK	
B				T10-0158		WL		100410		PLUGGABLE, PLUG, SINGAL, W/FLANGE	
C				T-005908		WL		091311		DOWNSIDE CONTACT	
										scale	
										sheet 1 of 3 size	
										20020002 A4	
										type CUSTOMER Drawing	
sheet index		revision		C		C		C			
		sheet		1		2		3			

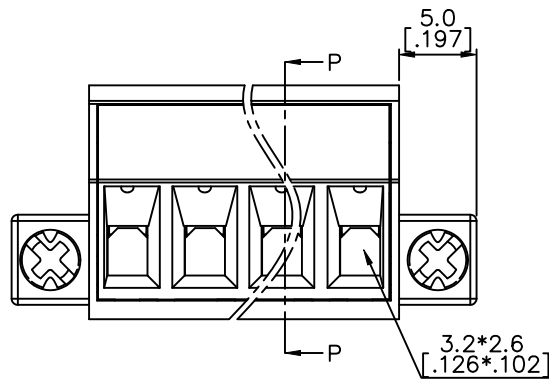
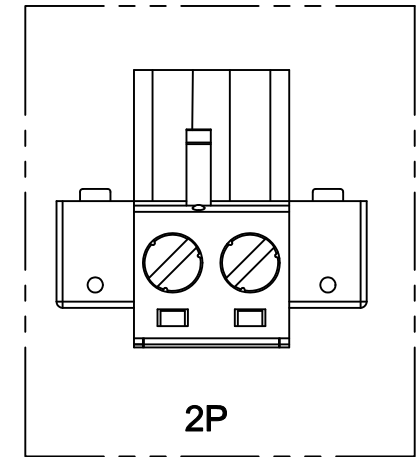
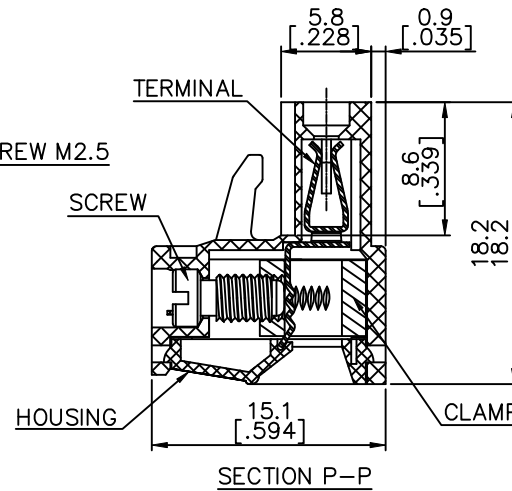
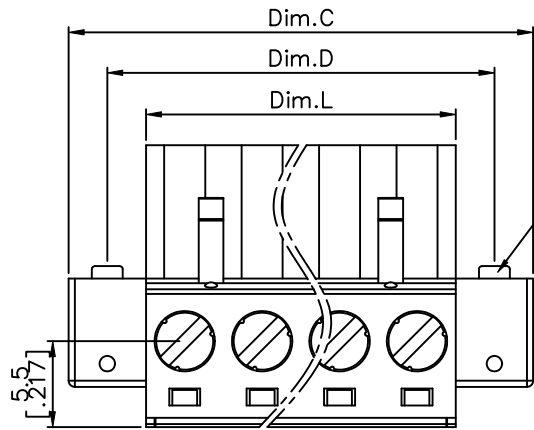
PRODUCT NUMBER	SERIES NAME	PITCH
20020002-GXXXXXLf	01-500	5.00 mm



N= Number of poles

Dim L	N*5.0 [.197]
Dim B	(N-1)*5.0 [.197]
Dim C	(N+2)*5.0 [.197]
Dim D	(N+1)*5.0 [.197]

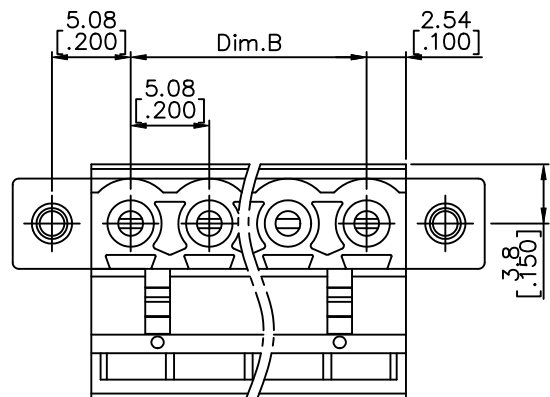
Poles	Tolerance
2P-7P	±0.15 [.006]
8P-12P	±0.25 [.010]
13P-18P	±0.30 [.012]
19P-24P	±0.40 [.016]



mat'l. code	surface ASME Y14.5	tolerance ASME Y14.5	projection MM INCH	product family TERMINAL BLOCK	
ltr	ecn	no	dr	date	title TERMINAL BLOCK PLUGGABLE, PLUG, SINGAL, W/FLANGE DOWNSIDE CONTACT
c	angles	tol	scale	dwg no	sheet 2 of 3 size
	X±1°	X.X±0.1		20020002	A4
	dr	WENDY CHEN	051410		
	enr	JASON HSU	051410		
	chr	GARY HSIEH	051410		
	appd	JOSEPH HSIA	051410		
sheet index	revision sheet				type CUSTOMER Drawing



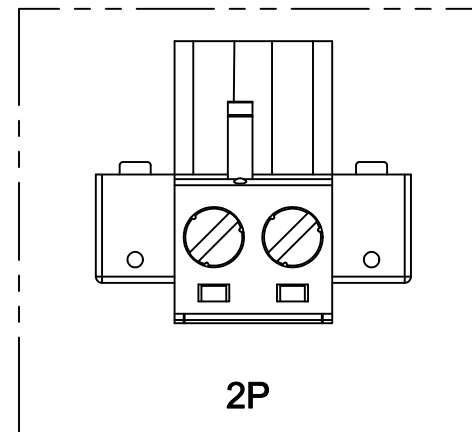
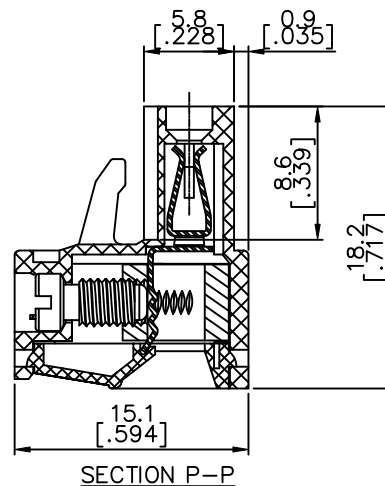
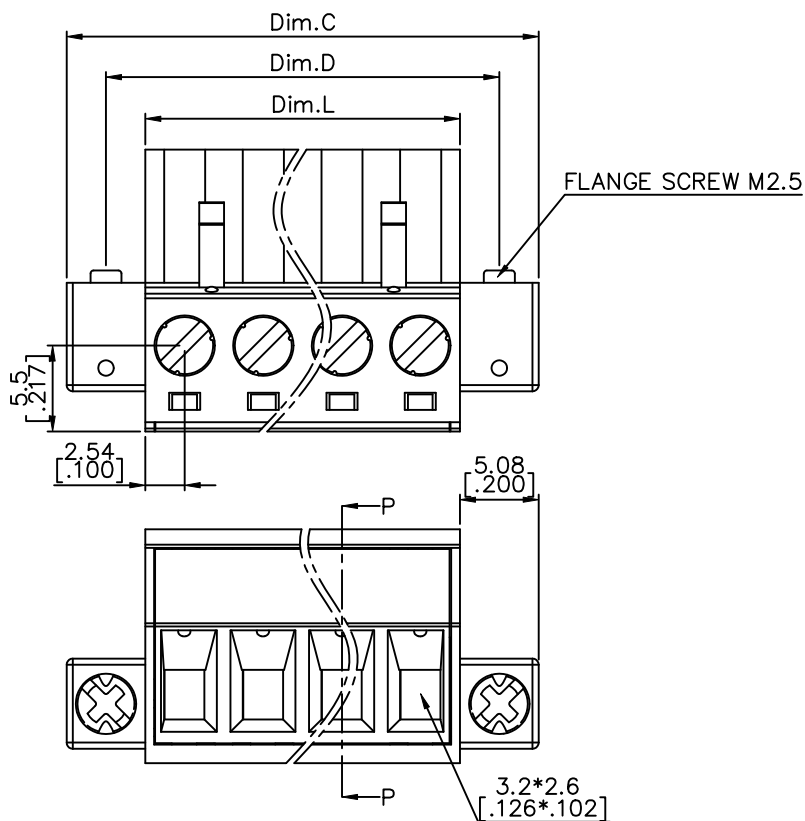
PRODUCT NUMBER	SERIES NAME	PITCH
20020002-HXXXXXLF	01-508	5.08 mm



N= Number of poles

Dim L	N*5.08 [.200]
Dim B	(N-1)*5.08 [.200]
Dim C	(N+2)*5.08 [.200]
Dim D	(N+1)*5.08 [.200]

Poles	Tolerance
2P-7P	±0.15 [.006]
8P-12P	±0.25 [.010]
13P-18P	±0.30 [.012]
19P-24P	±0.40 [.016]



mat'l. code	surface ASME Y14.5	tolerance ASME Y14.5	projection 	product family TERMINAL BLOCK
ltr	ecn no	dr	date	title
tolerances unless otherwise specified				TERMINAL BLOCK PLUGGABLE, PLUG, SINGAL, W/FLANGE DOWNSIDE CONTACT
c	angles	line	scale	
	X°±1'	X.XX±0.1	MM [INCH]	
	dr	WENDY CHEN	051410	sheet 3 of 3 size
	enr	JASON HSU	051410	20020002
	chr	GARY HSIEH	051410	
	appd	JOSEPH HSIA	051410	
sheet index	revision sheet			type CUSTOMER Drawing

