

4

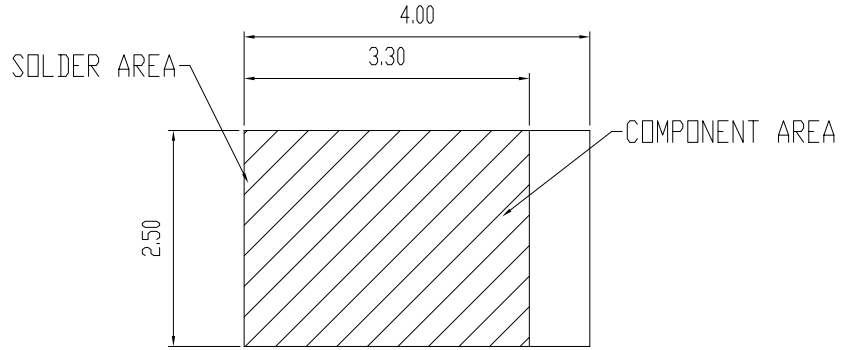
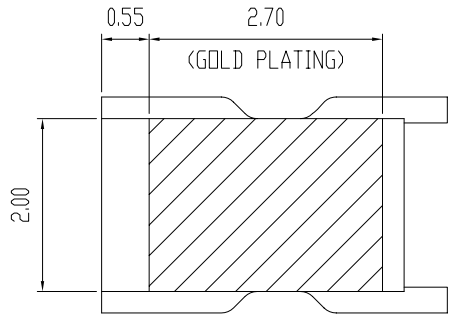
3

2

1

THIS DRAWING IS UNPUBLISHED.      RELEASED FOR PUBLICATION      - . - .  
 © COPYRIGHT 2011 BY TYCO ELECTRONICS CORPORATION.      ALL RIGHTS RESERVED.

| LOC |     | DIST                    |  | REVISIONS |     |      |  |
|-----|-----|-------------------------|--|-----------|-----|------|--|
| P   | LTR | DESCRIPTION             |  | DATE      | DWN | APVD |  |
|     | A   | REVISED (ECR-11-023837) |  | 29NOV11   | JL  | WK   |  |



D

D

C

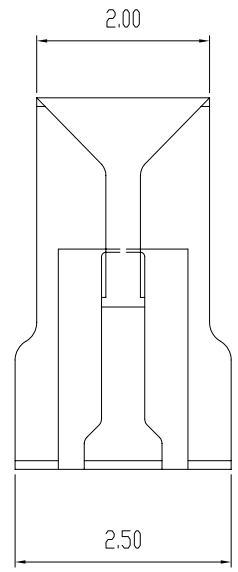
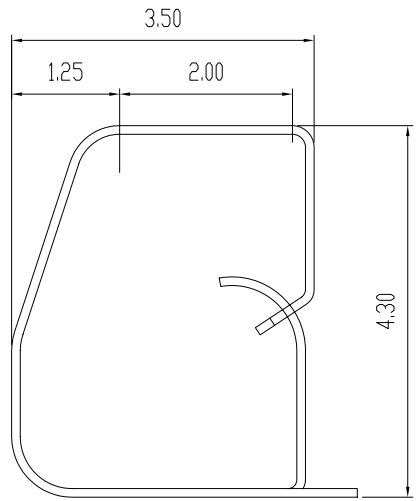
C

B

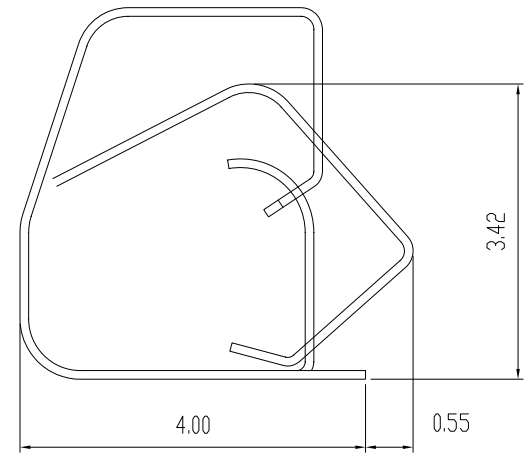
B

A

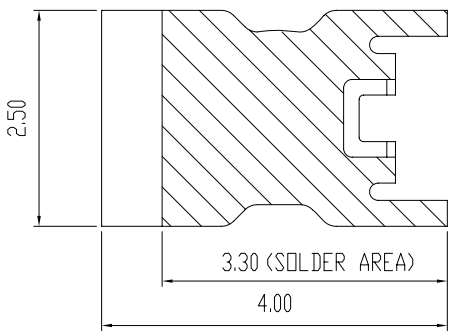
A



RECOMMEND PCB LAYOUT



NOTE:  
 1. MATERIAL: TI-CU, T=0.10±0.01  
 2. FINISH:  
 CONTACT: 2u" MIN GOLD PLATING ON THE CONTACT  
 100u" MIN TIN PLATING ON THE SOLDER AREA  
 40u" MIN NICKEL UNDER PLATING OVERALL



RECOMMENDED FOOT PRINT  
 REFERENCE ONLY

1775073-1  
 PART NUMBER

|  |                    |                              |                            |       |
|--|--------------------|------------------------------|----------------------------|-------|
| THIS DRAWING IS A CONTROLLED DOCUMENT. |                    | DWN<br>Q. LU<br>07DEC2004    | <b>STE</b> TE Connectivity |       |
|  |                    | CHK<br>S. HOU<br>07DEC2004   |                            |       |
| DIMENSIONS:<br>mm                      |                    | APVD<br>W.J. KE<br>07DEC2004 | NAME                       |       |
|  |                    | PRODUCT SPEC                 |                            |       |
|  |                    | 108-57531                    |                            |       |
| TOLERANCES UNLESS OTHERWISE SPECIFIED: |                    | QUALIFICATION TEST REPORT    |                            |       |
| 0 PLC ± -                              | 1 PLC ± 0.3        | 501-57609                    |                            |       |
| 2 PLC ± 0.2                            | 3 PLC ± 0.15       | WEIGHT 0.027 GRAMS           |                            |       |
| 4 PLC ± -                              | ANGLES ± 3'        | A300779 C=1775073            |                            |       |
| MATERIAL<br>SEE NOTE                   | FINISH<br>SEE NOTE | CUSTOMER DRAWING             |                            |       |
|  |                    | SCALE                        | SHEET 1 OF 2               | REV A |

4

3

2

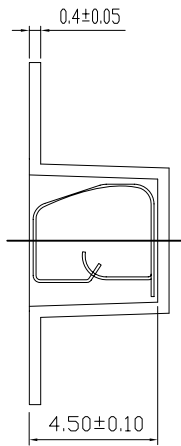
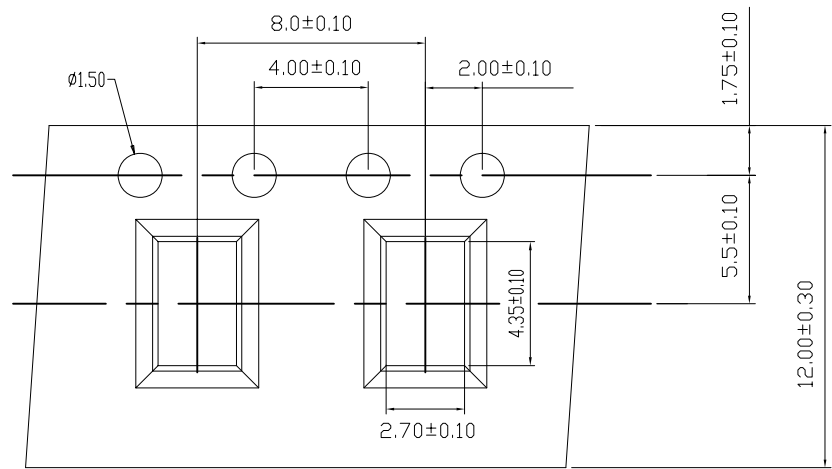
1

THIS DRAWING IS UNPUBLISHED. RELEASED FOR PUBLICATION

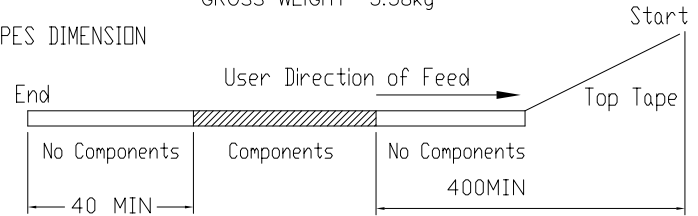
© COPYRIGHT 2011 BY TYCO ELECTRONICS CORPORATION. ALL RIGHTS RESERVED.

| LOC | DIST | REVISIONS    |      |     |      |
|-----|------|--------------|------|-----|------|
| P   | LTR  | DESCRIPTION  | DATE | DWN | APVD |
| DW  |      | SEE SHEET 1. |      |     |      |

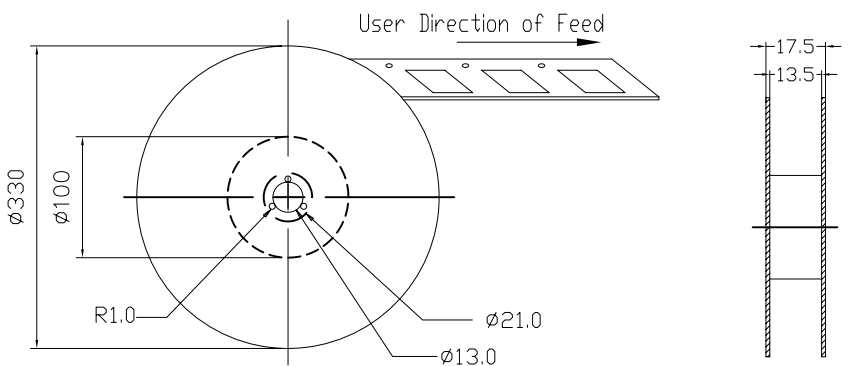
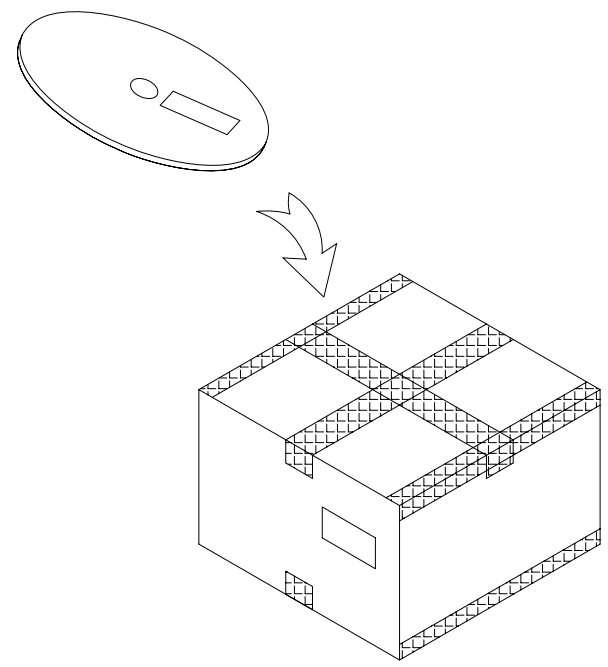
- NOTES :
- QUANTITY :  
2000 PCS/REEL  
12 REEL/SHIPPING BOX.
  - DIMENSION :  
BOX : 340X340X224
  - GENERAL TOLERANCE : ± 0.30
  - MATERIAL:  
CARRIER TAPE : ACRYLIC FILM  
TOP TAPE : PET FILM  
REEL : PLASTIC
  - WEIGHT  
NET WEIGHT 3.8kg  
GROSS WEIGHT 5.38kg



TAPES DIMENSION



REEL DIMENSION : REFERENCE ONLY



|  |              |                  |                        |              |            |
|--|--------------|------------------|------------------------|--------------|------------|
| THIS DRAWING IS A CONTROLLED DOCUMENT. |              | DWN              | TE Connectivity        |              |            |
| DIMENSIONS: mm                         |              | CHK              | NAME                   |              |            |
| TOLERANCES UNLESS OTHERWISE SPECIFIED: |              | APVD             | SHIELD FINGER 434025N7 |              |            |
| 0 PLC ± -                              | 1 PLC ± 0.3  | PRODUCT SPEC     | SIZE                   | CAGE CODE    | DRAWING NO |
| 2 PLC ± 0.2                            | 3 PLC ± 0.15 | APPLICATION SPEC | A3                     | 00779        | C=1775073  |
| 4 PLC ± -                              | ANGLES ± 3'  | WEIGHT           | RESTRICTED TO          |              |            |
| MATERIAL                               | FINISH       | CUSTOMER DRAWING | SCALE                  | SHEET 2 OF 2 | REV A      |