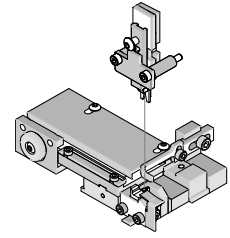


T2 Terminator Tooling



Application Tooling Specification Sheet



Order No. 63911-8800

FEATURES

- It is ideally suited for mid-volume bench operations
- This terminator can be installed in the TM42 and the TM40 press or Base Unit adapter for 3BF press
- Quick punch removal with the push of a button for fast and easy tooling change
- Track adjustment capabilities in the T2 Terminators for improved control of the bell mouth size and cutoff tab length
- T2 Terminator has standardized tooling with the Molex FineAdjust Applicator which will reduce your inventory requirements

SCOPE

Products: Micro-Fit 3.0™ Crimp Terminal, Male and Female, 20-24 AWG.

Terminal Series No.	Terminal Order No.		Wire Size		Insulation Diameter				Strip Length	
					IPC/WHMA-A620 (1)		Terminal (2)			
					AWG	mm ²	mm	In.		
43030	43030-0001	43030-0051	20-24	0.50-0.20	1.10-1.30	.043-.051	0.90-1.85	.035-.073	2.54-2.92	.100-.115
	43030-0002	43030-0052								
	43030-0003	43030-0053								
	43030-1001									
43031	43031-0001	43031-0051	20-24	0.50-0.20	1.10-1.30	.043-.051	0.90-1.85	.035-.073	2.54-2.92	.100-.115
	43031-0002	43031-0052								
	43031-0003	43031-0053								
	43031-0017	43031-0102								
	43031-0018	43031-0103								
44372	44372-0002	44372-3606	20-24	0.50-0.20	1.10-1.30	.043-.051	0.90-1.85	.035-.073	2.54-2.92	.100-.115
45773	45773-0001	45773-0002	20-24	0.50-0.20	1.10-1.30	.043-.051	0.90-1.85	.035-.073	2.54-2.92	.100-.115
	45773-0003	45773-0053								

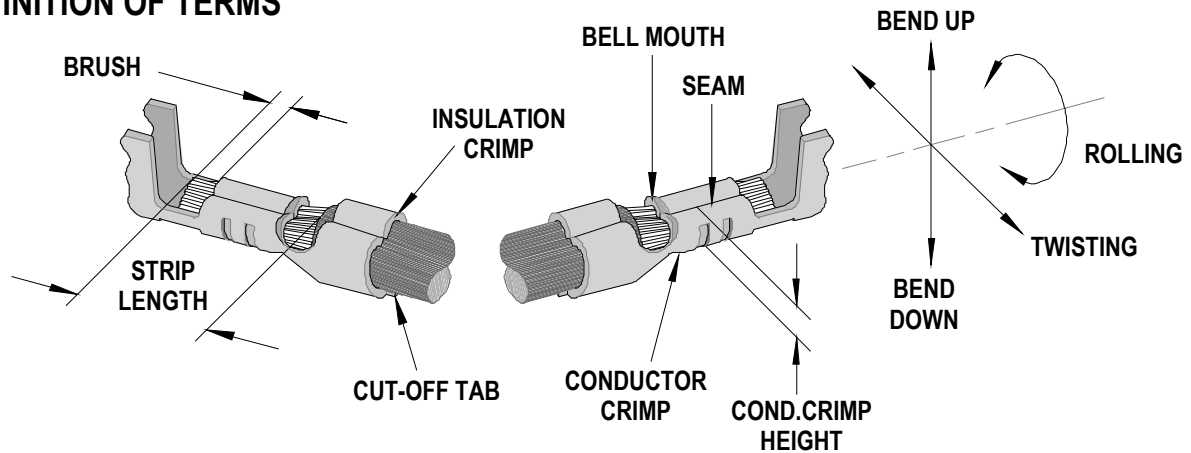
(1) To achieve optimum IPC-A620 Class 2 insulation crimps, use this insulation OD range

(2) Overall insulation OD specification for terminal

Terminator 63911-8900 should be used for insulation OD 0.91-1.09mm (.036-.043 inch)

Terminator 63910-4500 should be used for insulation OD 1.30-1.85mm (.051-.073 inch)

DEFINITION OF TERMS



The above terminal drawing is a generic terminal representation. It is not an image of a terminal listed in the scope.

CRIMP SPECIFICATION

Terminal Series No.		Bell mouth		Cut-off Tab Maximum		Conductor Brush	
		mm	In.	mm	In.	mm	In.
43030	43031	0.05-0.40	.002-.016	0.15	.006	0.20-0.80	.008-.031
44372	45773						

Terminal Series No.	Bend up	Bend down	Twist	Roll	Punch Width mm (Ref)				Seam
					Conductor		Insulation		
	Degree	Degree	mm	In	mm	In			
43030	3	3	4	8	1.40	.055	1.60	.063	Seam shall not be open and no wire allowed out of the crimping area
43031	3	3	4	8	1.40	.055	1.60	.063	
44372	3	3	4	8	1.40	.055	1.60	.063	
45773	3	3	4	8	1.40	.055	1.60	.063	

After crimping, the conductor profile should measure the following.

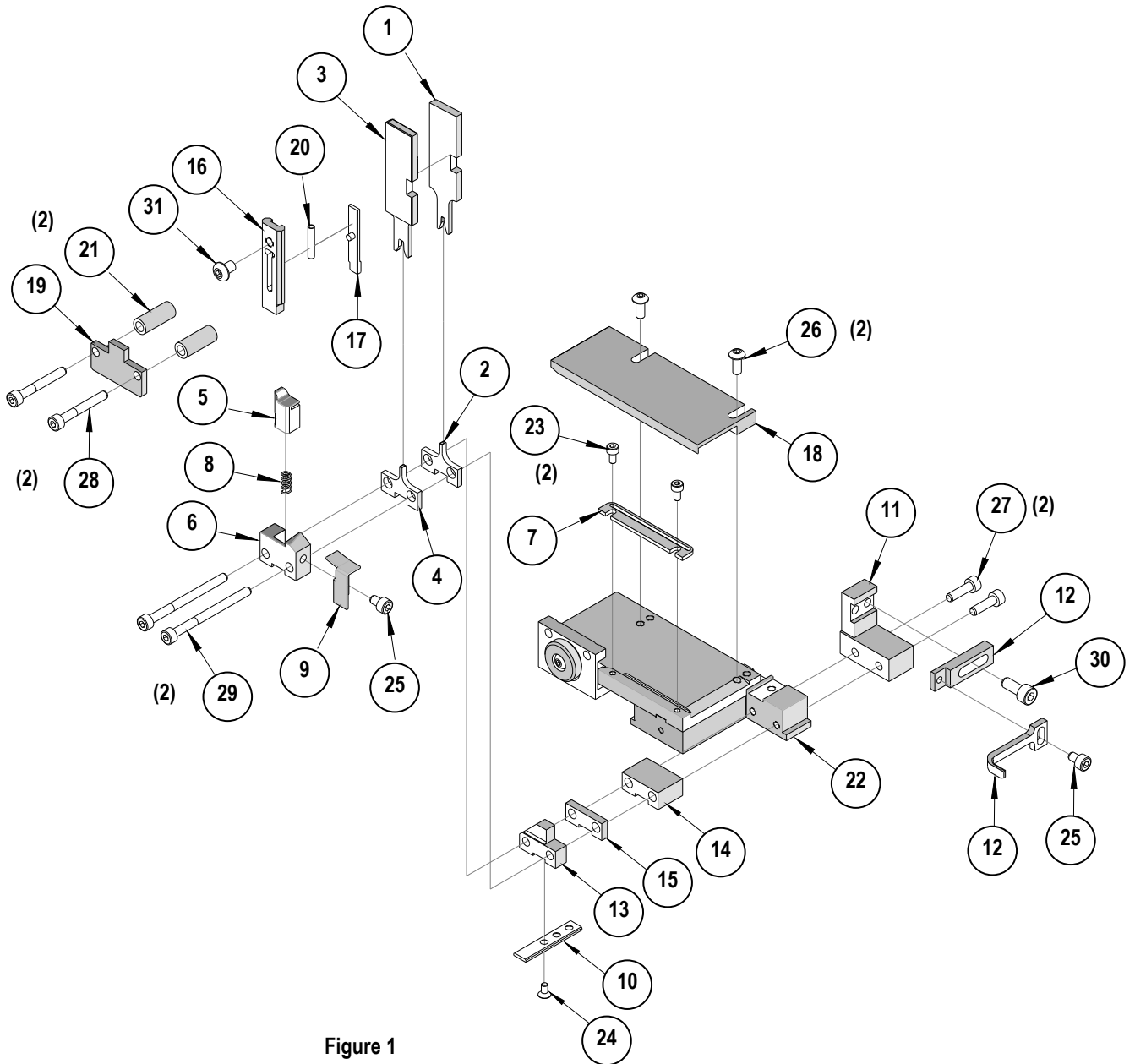
Terminal Series No.	Wire Size		Conductor Crimp Height		Insulation Crimp Height		Pull Force Minimum	
	AWG	mm ²	mm	In.	mm	In.	N	Lb.
43030	20	0.50	0.91-0.99	.036-.039	2.30 max	.090 max	57.9	13.0
	22	0.35	0.84-0.91	.033-.036	2.30 max	.090 max	35.6	8.0
	24	0.20	0.79-0.84	.031-.033	2.30 max	.090 max	22.3	5.0
43031	20	0.50	0.91-0.99	.036-.039	2.30 max	.090 max	57.9	13.0
	22	0.35	0.84-0.91	.033-.036	2.30 max	.090 max	35.6	8.0
	24	0.20	0.79-0.84	.031-.033	2.30 max	.090 max	22.3	5.0
44372	20	0.50	0.91-0.99	.036-.039	2.30 max	.090 max	57.9	13.0
	22	0.35	0.84-0.91	.033-.036	2.30 max	.090 max	35.6	8.0
	24	0.20	0.79-0.84	.031-.033	2.30 max	.090 max	22.3	5.0
45773	20	0.50	0.91-0.99	.036-.039	2.30 max	.090 max	57.9	13.0
	22	0.35	0.84-0.91	.033-.036	2.30 max	.090 max	35.6	8.0
	24	0.20	0.79-0.84	.031-.033	2.30 max	.090 max	22.3	5.0

Pull Force should be measured with no influence from the insulation crimp. The above specifications are guidelines to an optimum crimp.

PARTS LIST

T2 Terminator 63911-8800				
Item	Order No	Engineering No.	Description	Quantity
Perishable Tooling				
	63911-8870	63911-8870	Tool Kit (All "Y" Items)	REF
1	63444-1421	63444-1421	Conductor Punch	1 Y
2	63445-1436	63445-1436	Conductor Anvil	1 Y
3	63446-1610	63446-1610	Insulation Punch	1 Y
4	63445-1614	63445-1614	Insulation Anvil	1 Y
5	63443-0002	63443-0002	Front Cut-Off Plunger	1 Y
6	63443-0012	63443-0012	Front Plunger Retainer	1 Y
Other Components				
7	11-18-4083	60707-8	Feed Guide	1
8	11-24-1067	4996-4	Cut-Off Plunger Spring	1
9	63443-0009	63443-0009	Front Scrap Chute	1
10	63443-0024	63443-0024	Key	1
11	63443-0085	63443-0085	Wire Stop L-Bracket	1
12	63443-0090	63443-0090	Wire Stop	1
13	63443-1703	63443-1703	17.30mm Height Spacer	1
14	63443-2216	63443-2216	16.00mm Coarse Spacer	1
15	63443-2302	63443-2302	3.10mm Fine Spacer	1
16	63443-2801	63443-2801	Front Plunger Striker	1
17	63443-2904	63443-2904	Wire Hold Down Plunger	1
18	63443-6003	63443-6003	Rear Cover	1
19	63443-7201	63443-7201	Spring Cover	1
20	63600-1057	63600-1057	Compression Spring	1
21	63600-2972	63600-2972	Collar	2
Frame				
22	63800-8500	63800-8500	T2 Terminator	1
Hardware				
23	N/A	N/A	M3 by 6 Long SHCS	2**
24	N/A	N/A	M3 by 6 Long FHCS	1**
25	N/A	N/A	M4 by 6 Long SHCS	2**
26	N/A	N/A	M4 by 12 Long BHCS	2**
27	N/A	N/A	M4 by 14 Long SHCS	2**
28	N/A	N/A	M4 by 30 Long SHCS	2**
29	N/A	N/A	M4 by 45 Long SHCS	2**
30	N/A	N/A	M5 by 12 Long SHCS	1**
31	N/A	N/A	#10-32 by 3/8" Long BHCS	1**
** Available from an industrial supply company such as MSC (1-800-645-7270).				

Assembly Drawing



NOTES

Depending on the press vintage a feed finger assembly is supplied with the T2 Terminator.

1. To remove the existing feed finger assembly loosens the M4 x 10 mm set screw in the feed lever.
2. Select T2 Feed finger assembly from Terminator box.
3. Insert a screwdriver into the slot behind the feed lever and force the feed arm spring to the right.
4. Slide the T2 feed finger shaft for TM42 (11-40-5307) or (11-40-0123) for TM40 /Base Unit into the feed lever and to the left of the feed arm spring.
5. Release the feed arm spring.
6. Position feed finger for selected product. (Refer to Figure 5.1 in the T2 Manual).

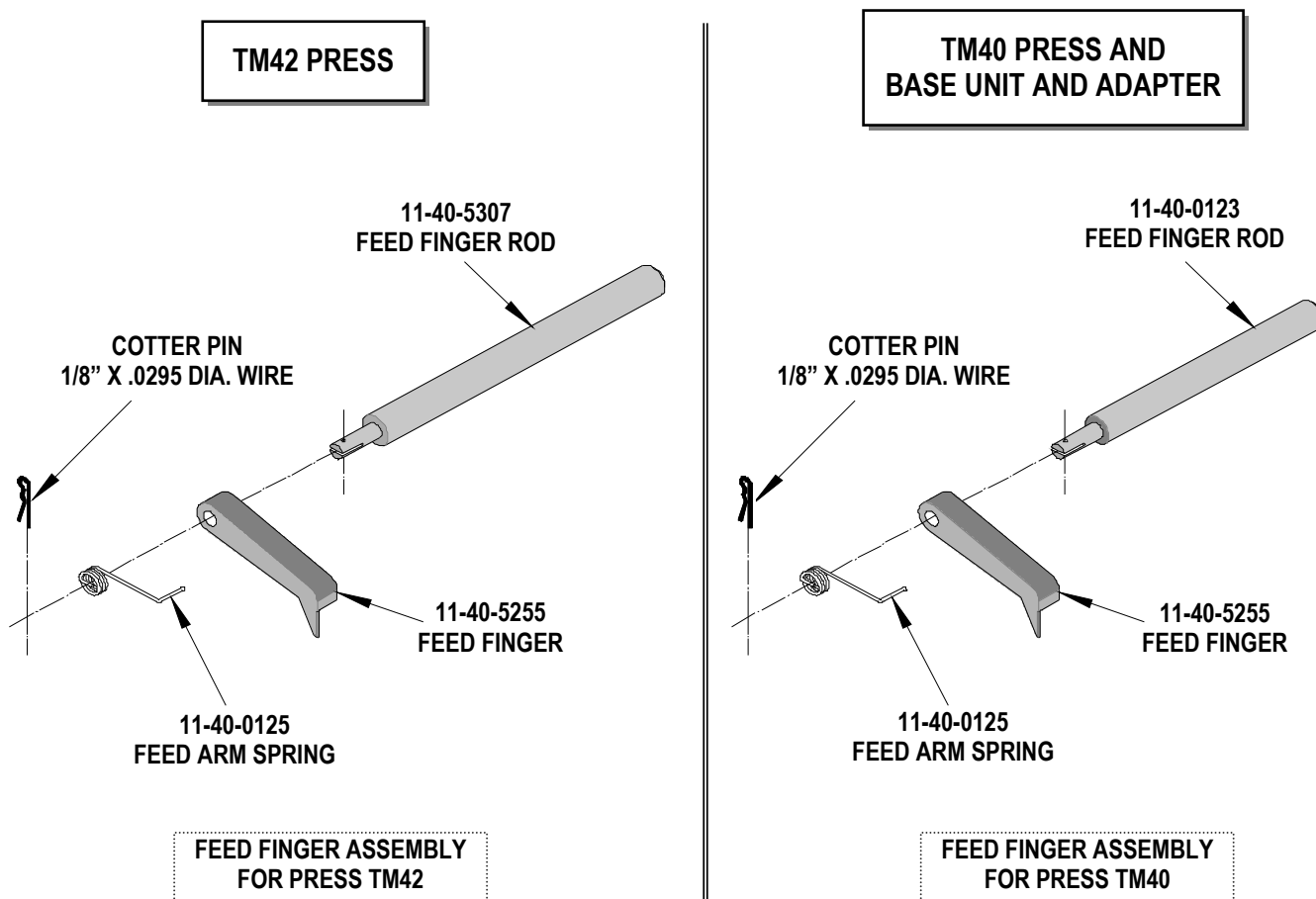


Figure 2

NOTES

1. Molex recommends an extra perishable tooling kit be maintained at your facility.
2. Verify tooling alignment by manually cycling the press before crimping under power. Check that all screws are tight.
3. Slugs, Terminals, Dirt and Oil should be kept clear of work area.
4. This Terminator should be only used in a Molex TM42, TM40, or 3BF Press with a Base Unit adaptor.
5. Wear safety glasses at all times.
6. For recommended maintenance refer to the TM40, TM42 Manual.

CAUTION: To prevent injury never operate this Terminator without the guards supplied with the press in place. Reference the TM42 press manufacturer's instruction manual.

CAUTION: Molex crimp specifications are valid only when used with Molex terminals, applicators and tooling.

<http://www.molex.com>