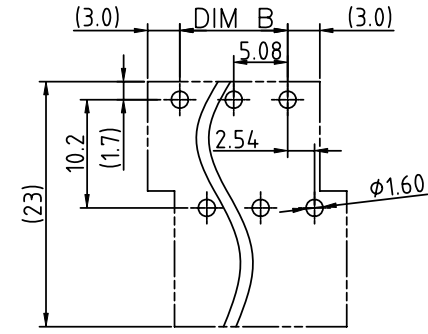
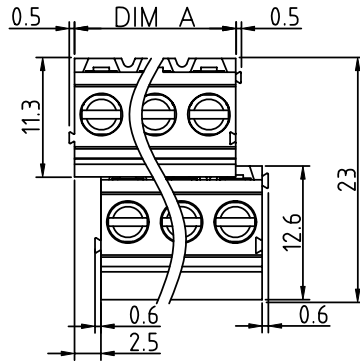
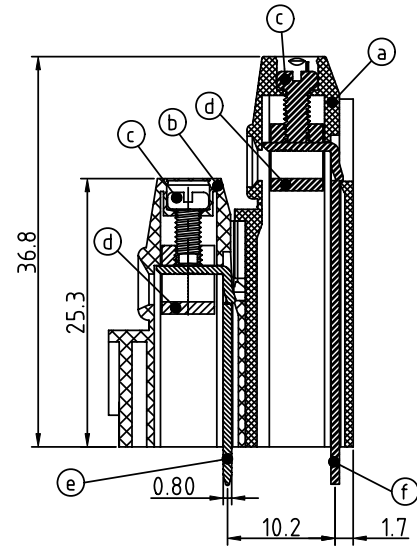
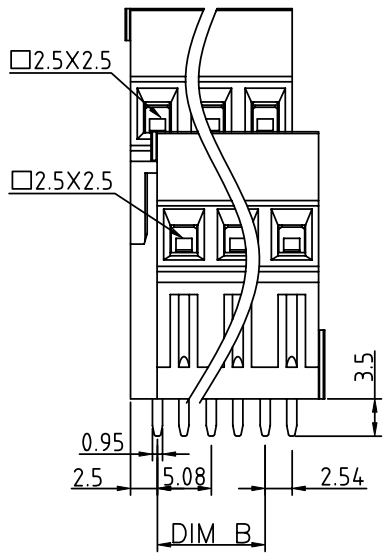


PRODUCT NUMBER	PITCH
YMxx61x000J0G	5.08 mm



RECOMMENDED P.C.B LAYOUT  
TOP VIEW



Material:

- Item① Terminal housing :Thermoplastic (UL 94V-0) (YF5.08)
- Item② Terminal housing :Thermoplastic (UL 94V-0) (YE5.08)
- Item③ Terminal screw: Steel Zinc plating"-slot type
- Item④ Clamp: Brass, Ni plated
- Item⑤ Solder pin1: Brass, Tin plated (YE)
- Item⑥ Solder pin2: Brass, Tin plated (YF)

Electrical cULus

- Voltage rating: 300VAC
- Current rating: 10A
- Wire range:
- Solid wire(AWG): 12-24
- Stranded wire(AWG): 12-24
- Torque(Lb-In): 3.5
- Screw: M2.5
- Wire strip length: 6-7mm
- Withstanding Voltage: 1.6KV
- Operating temperature: -40°C to +115°C
- Soldering temperature: 260°C±5°C/5 Sec
- Safety Approval: cULus

PART NO.: YM xx 6 1 x 0 00J0 G

DIMENSION

Dim A	N/2x5.08
Dim B	(N/2-1)x5.08

N=Number of poles

Poles	Tolerance
2x2p~2x6p	±0.15
2x7p~2x12p	±0.25
2x13p~2x18p	±0.35
2x19p~2x24p	±0.40

End stackable	No. of poles	Color	RoHS compliant
0	2	Black (RAL9005)	(lead<4%) In copper Alloy
04	2x2 poles	Red (RAL3001/D)	
06	2x3 poles	Orange(RAL2011/P)	
...	...	Yellow(RAL1018/A)	
...	...	Green(RAL6018/T)	
48	2x24 poles	Blue (RAL5015/A)	
		8 Grey(RAL7035/D)	
		9 White(RAL1102)	
		C Green(RAL6018/U)	

mat'l. code		surface ASME Y14.5 ✓	tolerance ASME Y14.5	projection	product family
ltr		tolerances unless otherwise specified		MM	TERMINAL BLOCK
ecn	no	dr	date		title
				angles	TERMINAL BLOCK
				scale	RISING CLAMP,180D WIRE INLET,END STACKABLE,RIGHT TYPE
				dr	dwg no
				enr	sheet 1 of 1 size
				chr	YMxx61x000J0G
				appd	A4
				type	CUSTOMER Drawing
sheet index	revision sheet	A	1		