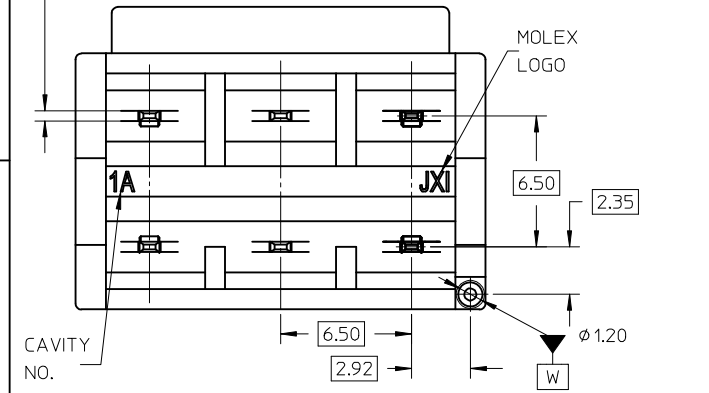


- NOTES:
- MATERIALS:
HOUSING : POLYAMIDE(PA), GLASS FILLED, UL94V-0
TERMINAL : COPPER ALLOY
 - FINISHES:
TERMINAL: 1.27µM MIN MATTE TIN OVER 1.27µM MIN NICKEL UNPLATED.
 - PRODUCT SPECIFICATION: PS-151048-0001
 - PACKAGING SPECIFICATION: REFER TO TABLE
 - REFER TO COSMETIC SPECIFICATION: PS-45499-002(CLASS B)
 - MATES WITH: 151049 SERIES



UPDATE DRAWING EC NO: S2015-1136 DRW: EANG 2015/06/12 CHKD: CGOH 2015/07/12 APPR: KHL IM 2015/07/22	QUALITY SYMBOLS	GENERAL TOLERANCES (UNLESS SPECIFIED)	DIMENSION STYLE	SCALE	DESIGN UNITS	THIRD ANGLE PROJECTION																		
	$\nabla_A = 0$ $\nabla_C = 0$ $\nabla_P = 0$	<table border="1"> <tr> <th></th> <th>mm</th> <th>INCH</th> </tr> <tr> <td>4 PLACES</td> <td>± ---</td> <td>± ---</td> </tr> <tr> <td>3 PLACES</td> <td>± ---</td> <td>± ---</td> </tr> <tr> <td>2 PLACES</td> <td>± 0.20</td> <td>± ---</td> </tr> <tr> <td>1 PLACE</td> <td>± ---</td> <td>± ---</td> </tr> <tr> <td>0 PLACE</td> <td>± ---</td> <td>± ---</td> </tr> </table>		mm	INCH	4 PLACES	± ---	± ---	3 PLACES	± ---	± ---	2 PLACES	± 0.20	± ---	1 PLACE	± ---	± ---	0 PLACE	± ---	± ---	MM ONLY	NTS	METRIC	
		mm	INCH																					
	4 PLACES	± ---	± ---																					
	3 PLACES	± ---	± ---																					
	2 PLACES	± 0.20	± ---																					
1 PLACE	± ---	± ---																						
0 PLACE	± ---	± ---																						
DRAWN BY: EANG CHECKED BY: CGOH APPROVED BY: KHL IM DATE: 2014/03/13 DATE: 2015/03/12 DATE: 2015/03/16	MATERIAL NO. SEE TABLE	TITLE SALES DRAWING 6.5 HEADER ASSY WIRE TO BOARD CONNECTOR	DOCUMENT NO. SD-151048-0001	SHEET NO. 1 OF 4																				
DRAFT WHERE APPLICABLE MUST REMAIN WITHIN DIMENSIONS	THIS DRAWING CONTAINS INFORMATION THAT IS PROPRIETARY TO MOLEX INCORPORATED AND SHOULD NOT BE USED WITHOUT WRITTEN PERMISSION																							
SIZE A3																								

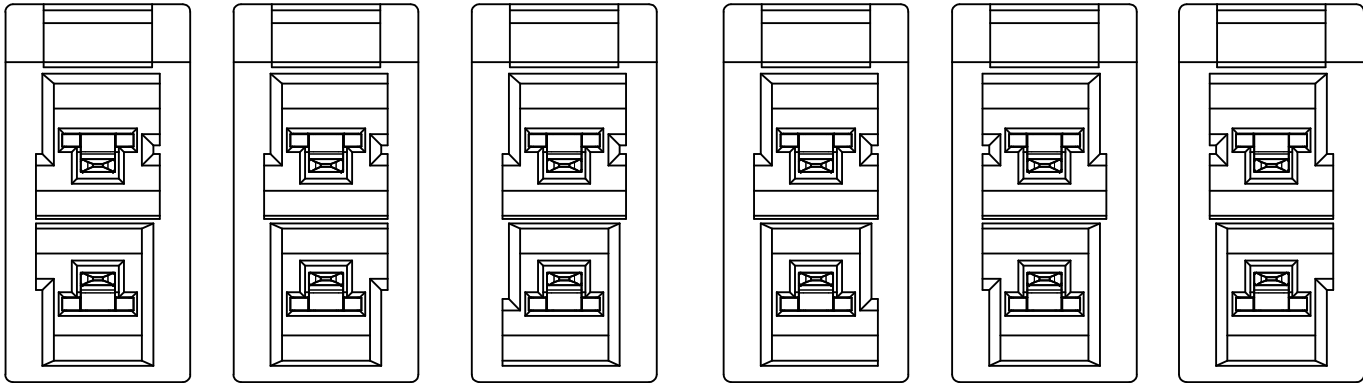
2	-	7.34	7.34	2.92	REFER TO PAGE 2
4	6.50	13.84	10.74	6.17	REFER TO PAGE 3
6	13.00	20.34	16.74	9.42	REFER TO PAGE 4
CKT. NO.	A	B	C	D	MATERIAL PART NO.

HEADER ASSY WITH POLARIZATION FEATURES AND COLORS 2CKTS

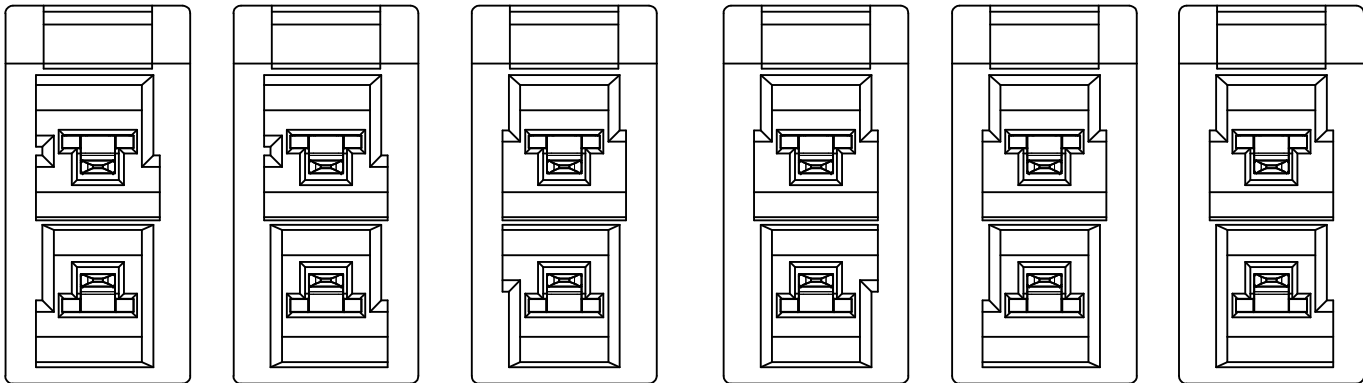
PART NO. LEGEND

151048 - * * * *

- COLOR AND POLARIZATION
- CKT NO.
- PACKAGING(TUBE AND TRAY)
- AND OTHERS



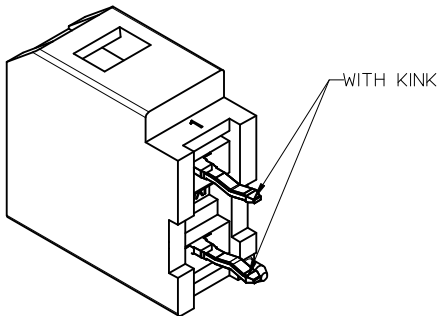
- ① 151048*200 ORANGE
- ② 151048*201 BLUE
- ③ 151048*202 GREY
- ④ 151048*203 YELLOW
- ⑤ 151048*204 PURPLE
- ⑥ 151048*205 PINK



- ⑦ 151048*206 BLACK
- ⑧ 151048*207 GREEN
- ⑨ 151048*208 BROWN
- ⑩ 151048*209 RED
- ⑪ 151048*210 MINT
- ⑫ 151048*211 NATURAL (WHITE)

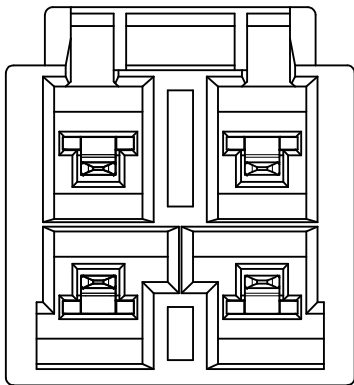
CONFIG.	ASSEMBLY	COLOR	STANDARD COLOR	CUSTOM COLOR	PACKAGING
1	1510482200	ORANGE	*		PK-151048-0001 (TUBE)
2	1510482201	BLUE	*		
3	1510482202	GREY		*	
4	1510482203	YELLOW	*		
5	1510482204	PURPLE		*	
6	1510482205	PINK		*	
7	1510482206	BLACK	*		
8	1510482207	GREEN		*	
9	1510482208	BROWN		*	
10	1510482209	RED	*		
11	1510482210	MINT		*	
12	1510482211	NATURAL (WHITE)	*		

CONFIG.	ASSEMBLY	COLOR	STANDARD COLOR	CUSTOM COLOR	PACKAGING
1	1510481200	ORANGE	*		PK-151048-0002 (TRAY)
2	1510481201	BLUE	*		
3	1510481202	GREY		*	
4	1510481203	YELLOW	*		
5	1510481204	PURPLE		*	
6	1510481205	PINK		*	
7	1510481206	BLACK	*		
8	1510481207	GREEN		*	
9	1510481208	BROWN		*	
10	1510481209	RED	*		
11	1510481210	MINT		*	
12	1510481211	NATURAL (WHITE)	*		

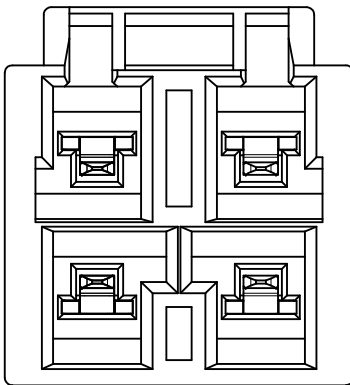


UPDATE DRAWING EC NO: S2015-1136 DRW: EANG 2015/06/12 CHKD: CGOH 2015/07/17 APPR: KHL IM 2015/07/22	QUALITY SYMBOLS	GENERAL TOLERANCES (UNLESS SPECIFIED)	DIMENSION STYLE	SCALE	DESIGN UNITS	THIRD ANGLE PROJECTION
	$F_A = 0$ $F_B = 0$ $F_C = 0$	mm INCH 4 PLACES ± --- ± --- 3 PLACES ± --- ± --- 2 PLACES ± 0.20 ± --- 1 PLACE ± --- ± --- 0 PLACE ± --- ± ---	MM ONLY	NTS	METRIC	
	DESCRIPTION	ANGULAR ± 3 °	DRAWN BY	DATE	TITLE	SALES DRAWING 6.5 HEADER ASSY WIRE TO BOARD CONNECTOR molex
	REV	DRAFT WHERE APPLICABLE MUST REMAIN WITHIN DIMENSIONS	EANG	2014/03/13	SD-151048-0001	
6		SEE TABLE	DATE	2015/03/12	DOCUMENT NO.	SHEET NO.
			DATE	2015/03/16	SD-151048-0001	2 OF 4
			MATERIAL NO.		THIS DRAWING CONTAINS INFORMATION THAT IS PROPRIETARY TO MOLEX INCORPORATED AND SHOULD NOT BE USED WITHOUT WRITTEN PERMISSION	

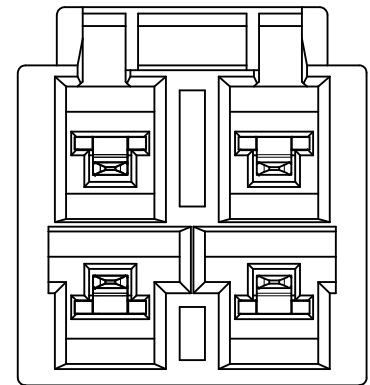
HEADER ASSY WITH POLARIZATION FEATURES AND COLORS 4CKTS



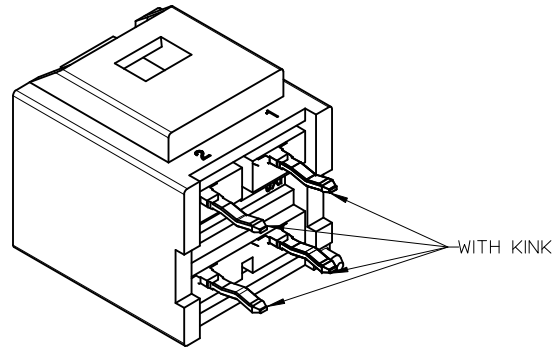
① 151048*401
BLUE



② 151048*406
BLACK



③ 151048*411
NATURAL (WHITE)



PART NO. LEGEND

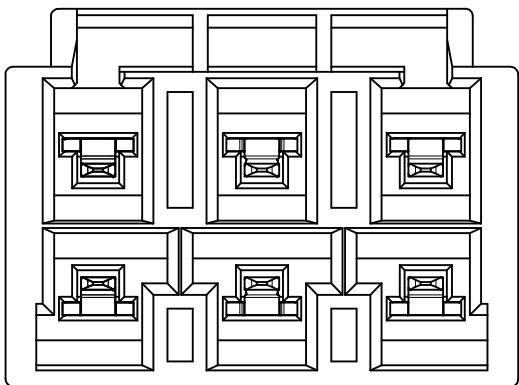
151048 - * * * *

- * COLOR AND POLARIZATION
- * CKT NO.
- * PACKAGING (TRAY)
- * AND OTHERS

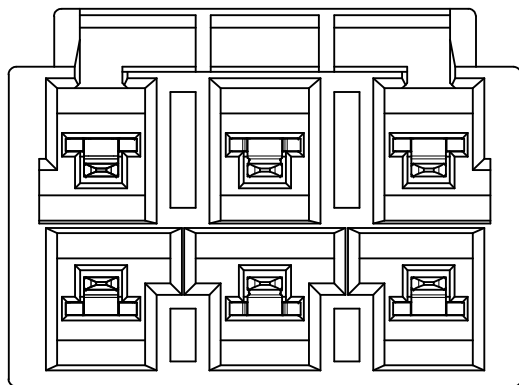
CONFIGURATION	ASSEMBLY	COLOR	PACKAGING
1	1510481401	BLUE	PK-151048-0002
2	1510481406	BLACK	
3	1510481411	NATURAL (WHITE)	

UPDATE DRAWING EC NO: S2015-1136 DRWNG: EANG CHKD: CGOH APPR: KHL IM	2015/06/12 2015/07/11 2015/07/22	DESCRIPTION REV	QUALITY SYMBOLS	GENERAL TOLERANCES (UNLESS SPECIFIED)	DIMENSION STYLE	SCALE	DESIGN UNITS	THIRD ANGLE PROJECTION			
			$F_A = 0$ $F_G = 0$ $F_P = 0$	mm INCH 4 PLACES ± --- ± --- 3 PLACES ± --- ± --- 2 PLACES ± 0.20 ± --- 1 PLACE ± --- ± --- 0 PLACE ± --- ± ---	MM ONLY	NTS	METRIC	DRAWN BY: EANG DATE: 2014/03/13 CHECKED BY: CGOH DATE: 2015/03/12 APPROVED BY: KHL IM DATE: 2015/03/16	TITLE SALES DRAWING 6.5 HEADER ASSY WIRE TO BOARD CONNECTOR		
				ANGULAR ± 3 °	SEE TABLE			MATERIAL NO. DOCUMENT NO. SHEET NO. SD-151048-0001 3 OF 4			
				DRAFT WHERE APPLICABLE MUST REMAIN WITHIN DIMENSIONS	SIZE A3	THIS DRAWING CONTAINS INFORMATION THAT IS PROPRIETARY TO MOLEX INCORPORATED AND SHOULD NOT BE USED WITHOUT WRITTEN PERMISSION					

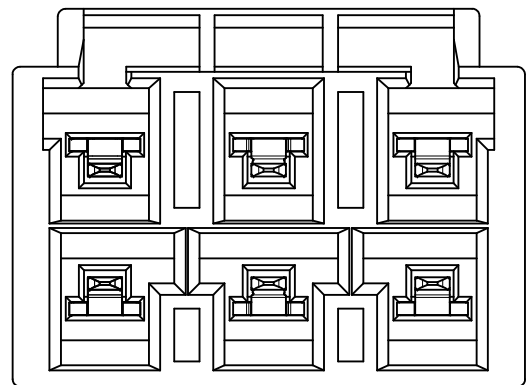
HEADER ASSY WITH POLARIZATION FEATURES AND COLORS 6CKTS



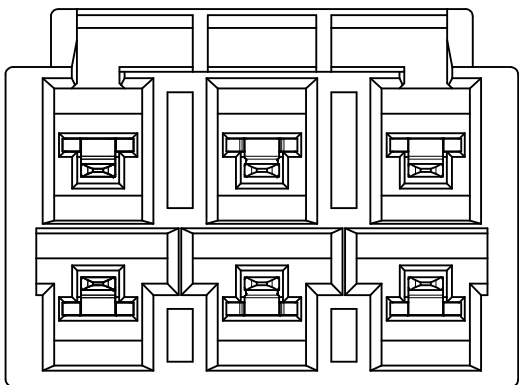
① 151048*601
BLUE



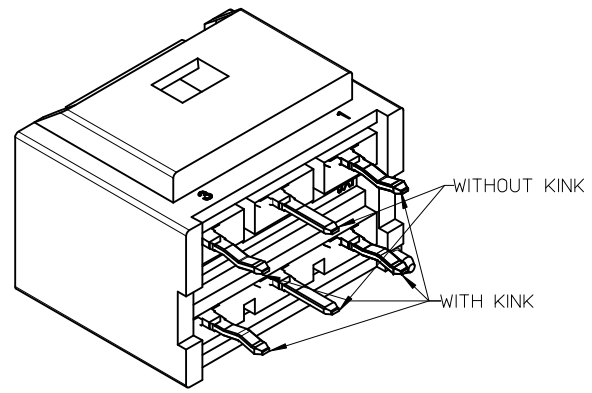
② 151048*606
BLACK



③ 151048*609
RED



④ 151048*611
NATURAL (WHITE)



PART NO. LEGEND

151048 - * * * *

- * COLOR AND POLARIZATION
- * CKT NO.
- * PACKAGING (TRAY) AND OTHERS

CONFIGURATION	ASSEMBLY	COLOR	PACKAGING
1	1510481601	BLUE	PK-151048-0002
2	1510481606	BLACK	
3	1510481609	RED	
	1510481611	NATURAL (WHITE)	

UPDATE DRAWING EC NO: S2015-1136 DRWNG: EANG 2015/06/12 CHKD: CGOH 2015/07/17 APPR: KHL IM 2015/07/22	QUALITY SYMBOLS $F_A=0$ $F_G=0$ $F_P=0$	GENERAL TOLERANCES (UNLESS SPECIFIED) mm INCH 4 PLACES ± --- ± --- 3 PLACES ± --- ± --- 2 PLACES ± 0.20 ± --- 1 PLACE ± --- ± --- 0 PLACE ± --- ± --- ANGULAR ± 3 ° DRAFT WHERE APPLICABLE MUST REMAIN WITHIN DIMENSIONS	DIMENSION STYLE MM ONLY DRAWN BY: EANG DATE: 2014/03/13 CHECKED BY: CGOH DATE: 2015/03/12 APPROVED BY: KHL IM DATE: 2015/03/16	SCALE: NTS DESIGN UNITS: METRIC THIRD ANGLE PROJECTION	TITLE: SALES DRAWING 6.5 HEADER ASSY WIRE TO BOARD CONNECTOR molex
	MATERIAL NO. SEE TABLE	DOCUMENT NO. SD-151048-0001	SHEET NO. 4 OF 4		
	THIS DRAWING CONTAINS INFORMATION THAT IS PROPRIETARY TO MOLEX INCORPORATED AND SHOULD NOT BE USED WITHOUT WRITTEN PERMISSION				