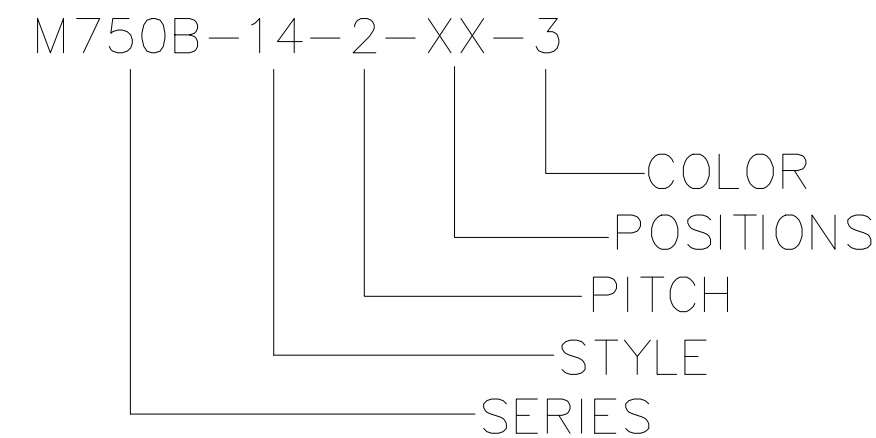
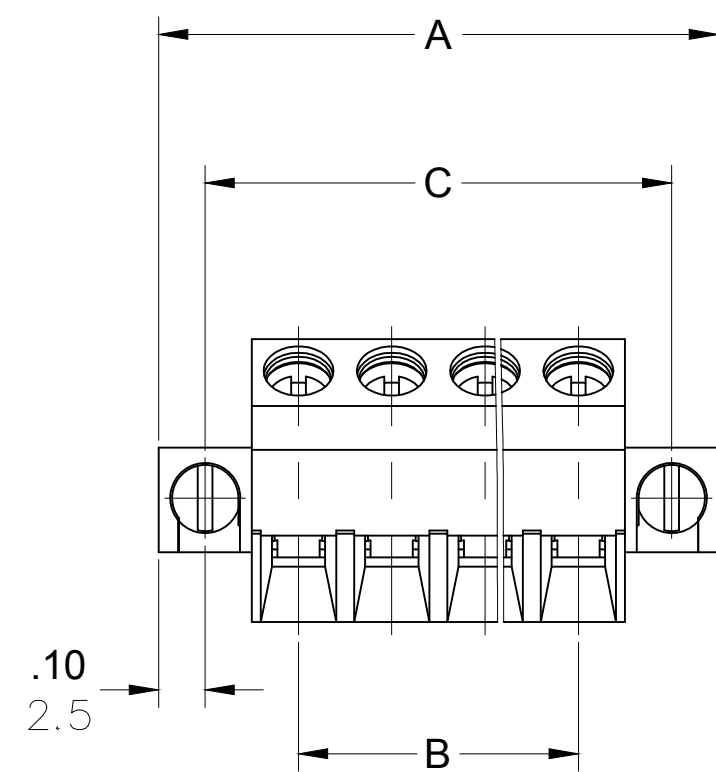


PART NUMBER DATA									
CIRCUITS	PART NUMBER	ENGINEERING NUMBER	COLOR	A IN mm		B IN mm		C IN mm	
2	397140002	M750B-14-2-02-3	GREEN	.80	20.3	.200	5.08	.600	15.24
3	397140003	M750B-14-2-03-3	GREEN	1.00	25.4	.400	10.16	.800	20.32
4	397140004	M750B-14-2-04-3	GREEN	1.20	30.5	.600	15.24	1.000	25.40
5	397140005	M750B-14-2-05-3	GREEN	1.40	35.6	.800	20.32	1.200	30.48
6	397140006	M750B-14-2-06-3	GREEN	1.60	40.6	1.000	25.40	1.400	35.56
7	397140007	M750B-14-2-07-3	GREEN	1.80	45.7	1.200	30.48	1.600	40.64
8	397140008	M750B-14-2-08-3	GREEN	2.00	50.8	1.400	35.56	1.800	45.72
9	397140009	M750B-14-2-09-3	GREEN	2.20	55.9	1.600	40.64	2.000	50.80
10	397140010	M750B-14-2-10-3	GREEN	2.40	61.0	1.800	45.72	2.200	55.88
11	397140011	M750B-14-2-11-3	GREEN	2.60	66.0	2.000	50.80	2.400	60.96
12	397140012	M750B-14-2-12-3	GREEN	2.80	71.1	2.200	55.88	2.600	66.04
13		M750B-14-2-13-3	GREEN	3.00	76.2	2.400	60.96	2.800	71.12
14		M750B-14-2-14-3	GREEN	3.20	81.3	2.600	66.04	3.000	76.20
15		M750B-14-2-15-3	GREEN	3.40	86.4	2.800	71.12	3.200	81.28
16		M750B-14-2-16-3	GREEN	3.60	91.4	3.000	76.20	3.400	86.36
17		M750B-14-2-17-3	GREEN	3.80	96.5	3.200	81.28	3.600	91.44
18		M750B-14-2-18-3	GREEN	4.00	101.6	3.400	86.36	3.800	96.52
19		M750B-14-2-19-3	GREEN	4.20	106.7	3.600	91.44	4.000	101.59
20		M750B-14-2-20-3	GREEN	4.40	111.8	3.800	96.52	4.200	106.67

REF. LAST 2 DIGITS OF PART NUMBER EQUALS CIRCUIT COUNT

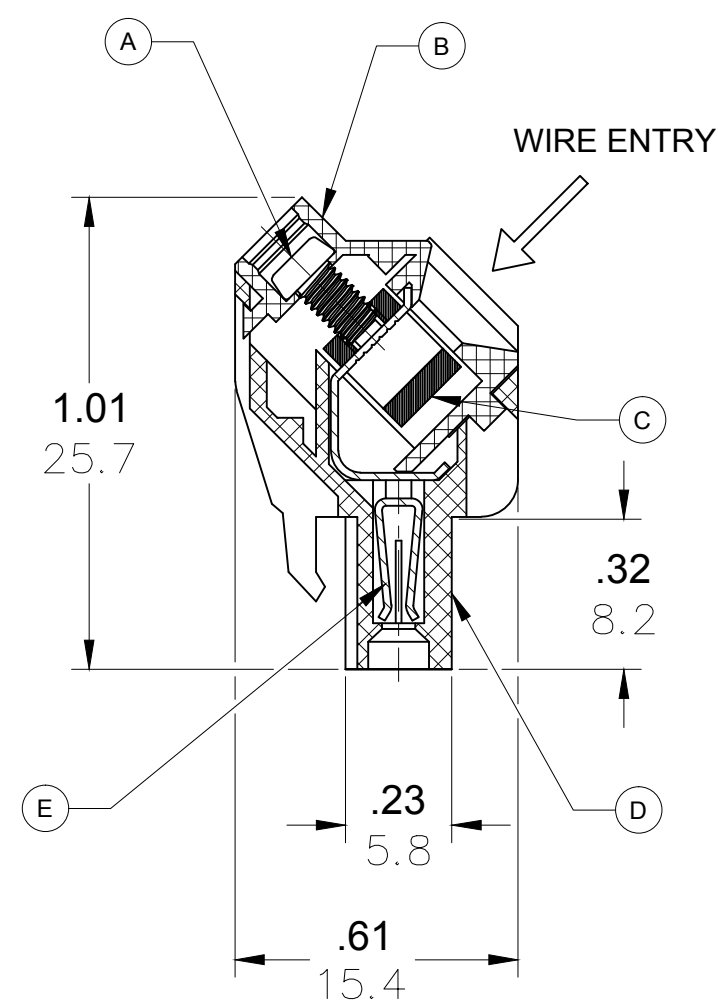
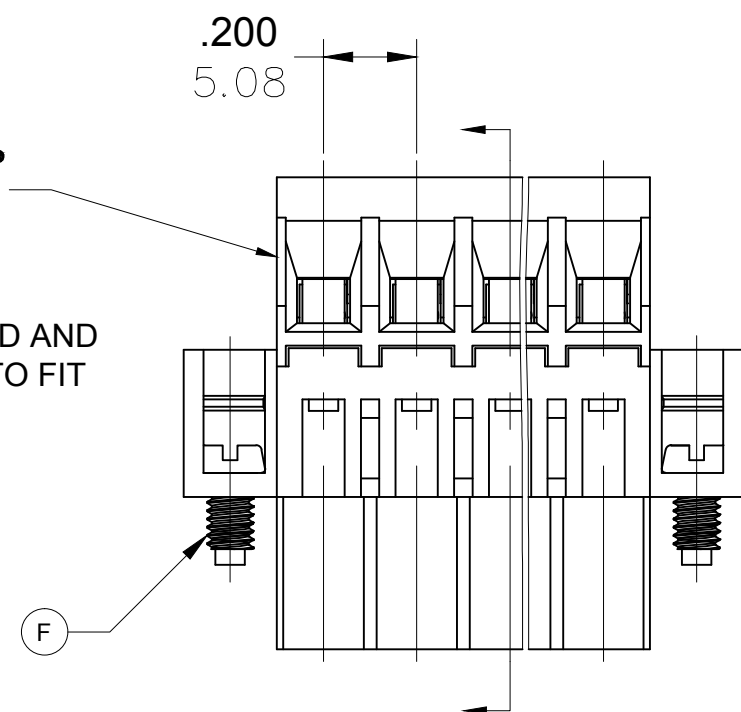


CONTACT FACTORY FOR OPTIONAL COLORS



.200
5.08

molex
M750B
UL
US
LOGO LOCATED AND ORIENTATED TO FIT



SPECIFICATIONS

1. MATERIAL:

- A. SCREW: M2.5 STEEL, ZINC PLATED
- B. BODY : PA66, UL94 V-0
- C. BLOCK: BRASS, NI PLATED
- D. COVER: PA66, UL94 V-0
- E. CONTACT : Cu ALLOY
- F. MTG. SCREW: M2.5 STEEL, ZINC PLATED

- 2. WIRE SIZE: 28 TO 12AWG
- 3. RATING: 300V, 15A
- 4. MAX TORQUE : 4.5LBF. IN
- 5. WIRE STRIP LENGTH: .24 IN. (6.00mm)
- 6. OPERATING TEMPERATURE: -40°C TO +105°C
- 7. DIMS SHOWN ARE FOR REFERENCE ONLY

TOLERANCES			
MM	TOL	INCH	TOL
0-6	±0.25	0-.24	±.010
>6-30	±0.40	.24-1.18	±.016
>30-120	±0.50	1.18-4.76	±.020
>120	±0.80	>4.76	±.031

REVISED DOC TOL EC NO.: ICG2017-0881 DRWN: ABENJAMI CH'KD: --- APPR: BRUPERT 2014/10/16	4/6/17 DESCRIPTION REV	QUALITY SYMBOL	GENERAL TOLERANCES (UNLESS SPECIFIED)	DIMENSION STYLE IN/MM	SCALE ---	DESIGN UNITS METRIC	THIRD ANGLE PROJECTION		
		▽=0	mm INCH	DRAWN BY DATE	TITLE	TERMINAL PLUG 5.08MM 45 DEGREE WIRE ENTRY WITH MOUNTING ENDS			
		∇=0	4 PLACES ±--- ±---	3 PLACES ±--- ±---	2 PLACES ±--- ±---	1 PLACE ±--- ±---	ANGULAR ±---°	MOLEX INCORPORATED	
			DRAFT WHERE APPLICABLE MUST REMAIN WITHIN DIMENSIONS	CHECKED BY DATE	APPROVED BY DATE	MATERIAL NO.	DOCUMENT NO.	SHEET NO.	
A1			SEE CHART	THIS DRAWING CONTAINS INFORMATION THAT IS PROPRIETARY TO MOLEX INCORPORATED AND SHOULD NOT BE USED WITHOUT WRITTEN PERMISSION		SD-39714-001	1 OF 1		