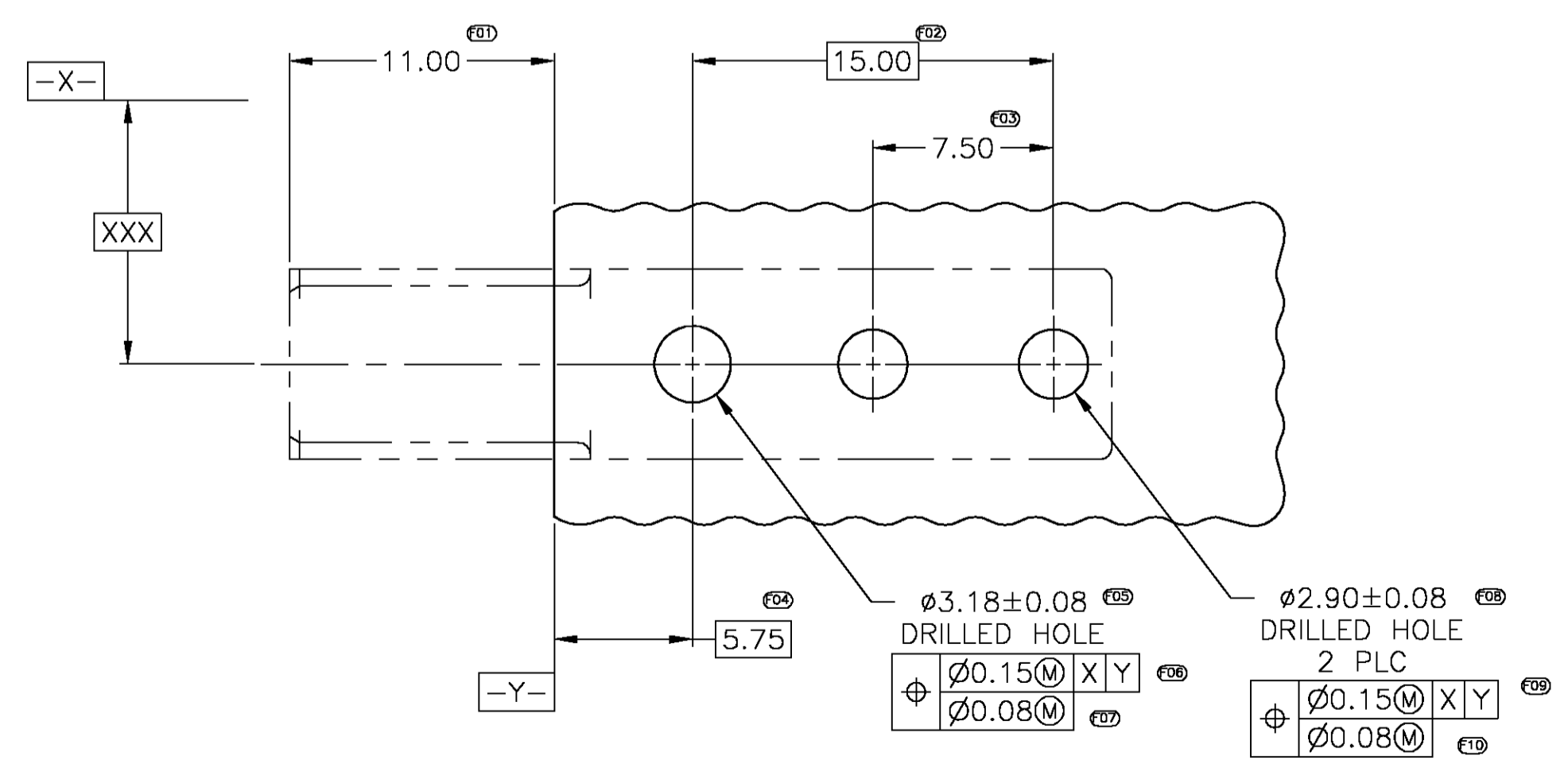
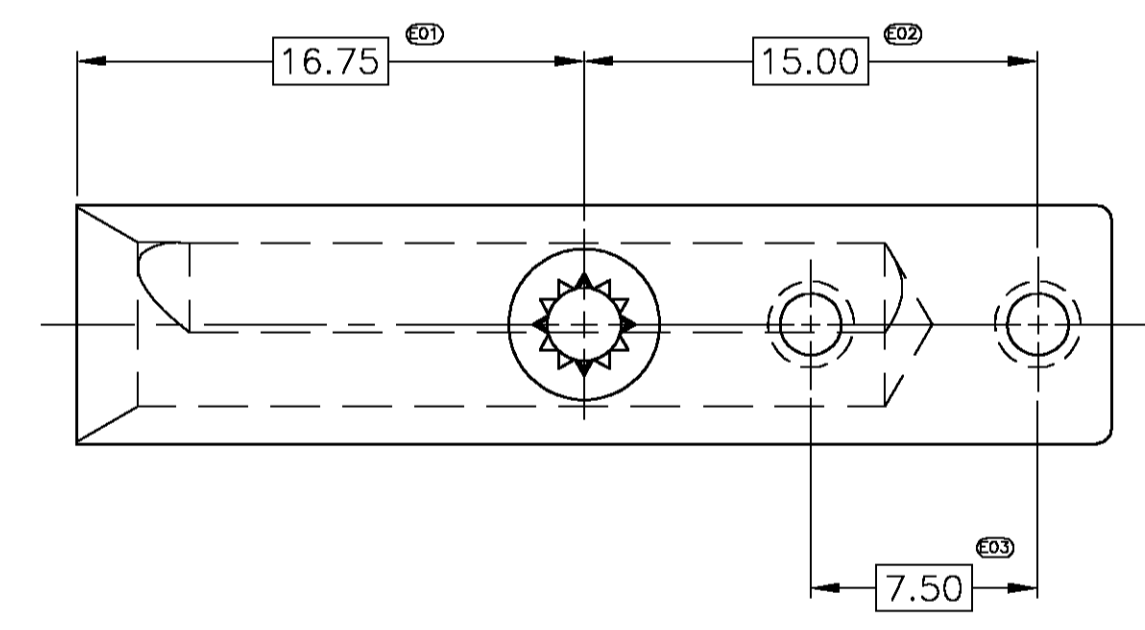
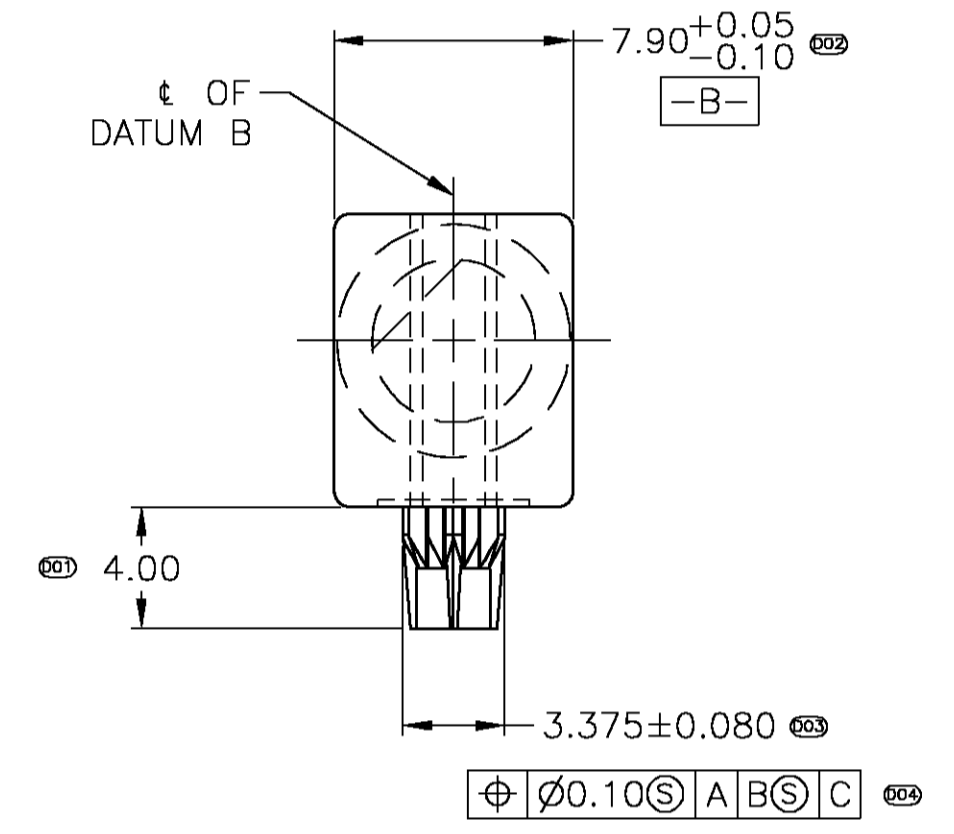
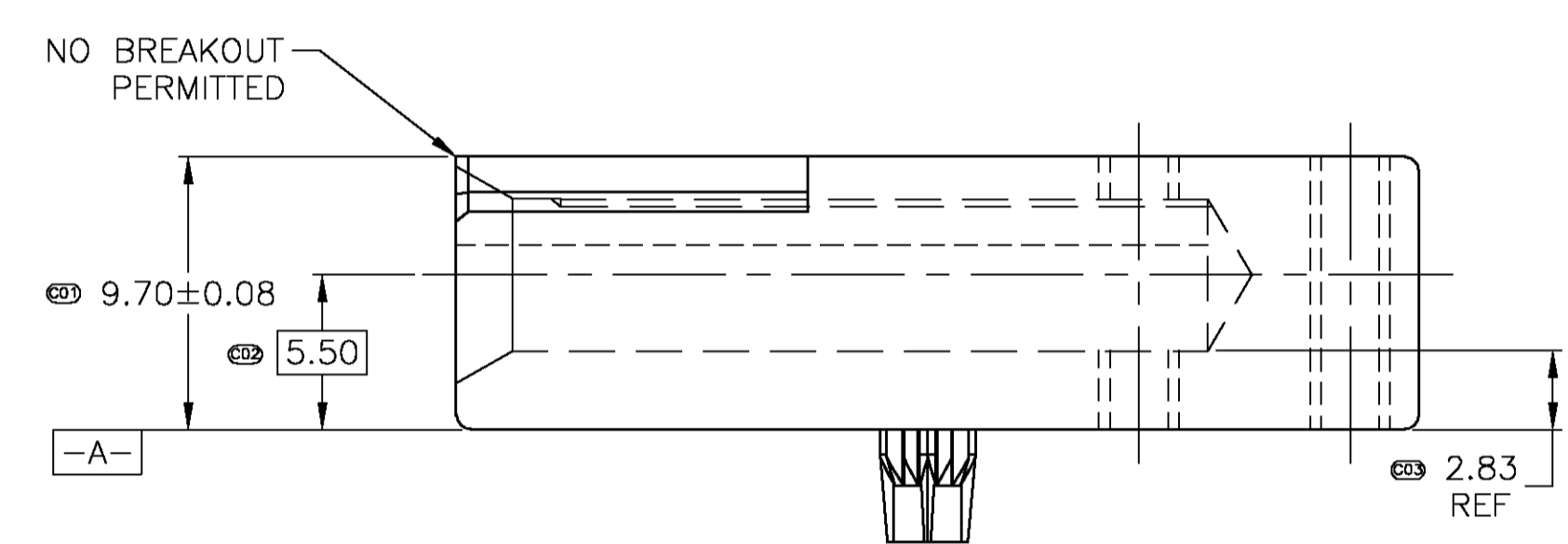
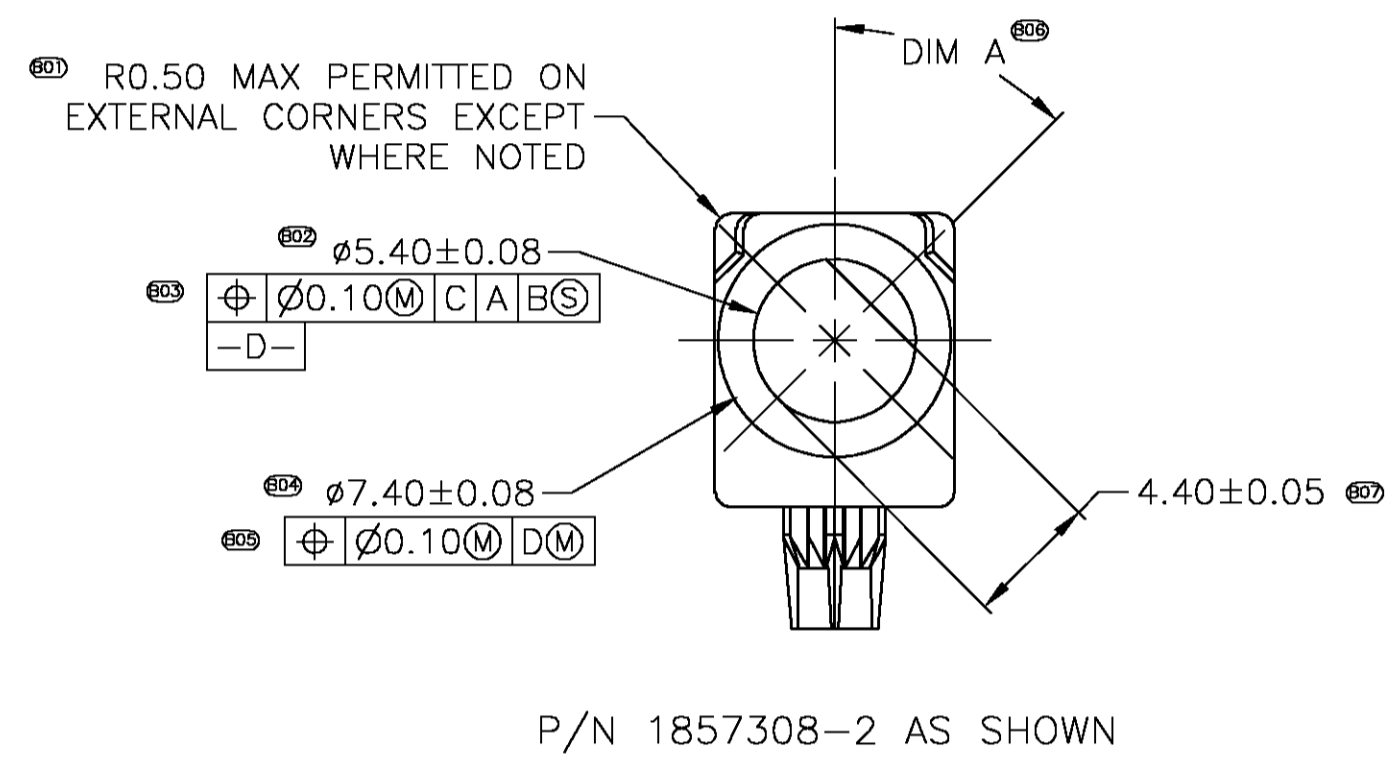
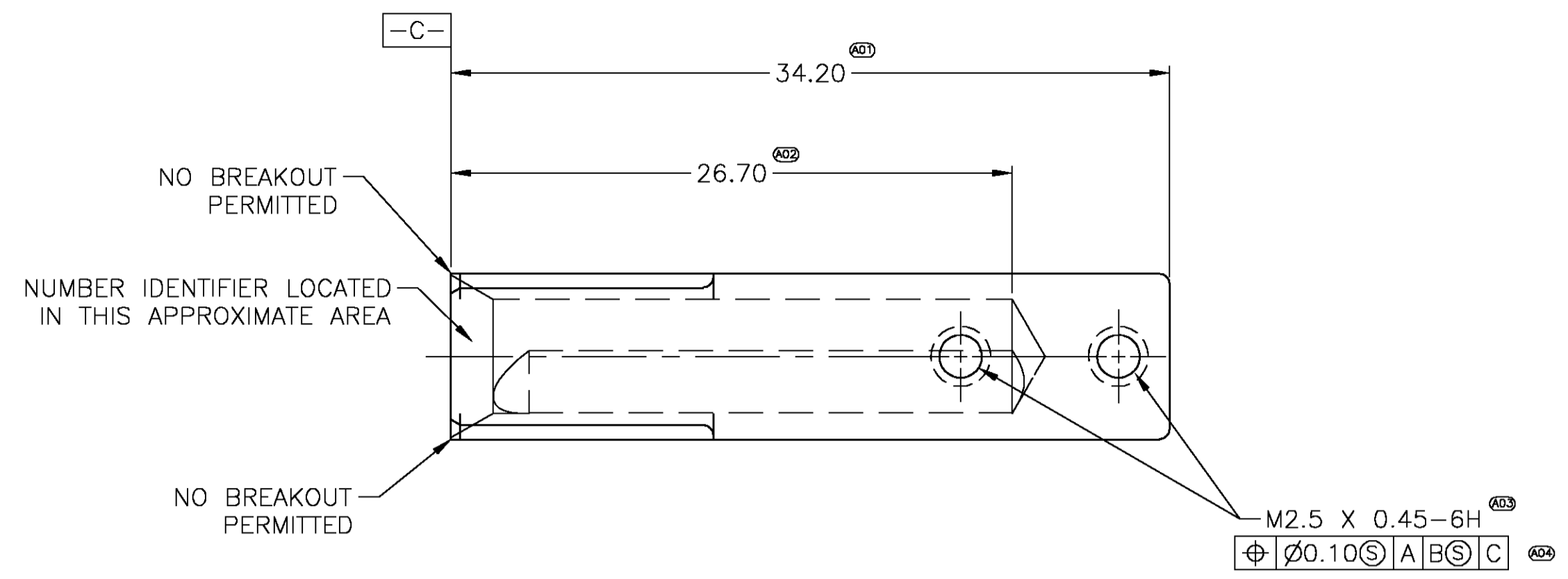


LOC		DIST		REVISIONS			
P	LTR	DESCRIPTION	DATE	DNW	APVD		
A		First issue	02 feb 06	JvdH	JB		

NOTES:  
 1 MATERIAL: ZINC ALLOY DIE CASTING.  
 2 SURFACE FINISH: CHROMATE CONVERSION COATING.  
 (RoHS COMPATIBLE)



FOOT PRINT

1857308-2 AS SHOWN.

KEYING POSN	DIM A	PART NUMBER
8	315'	1857308-8
7	270'	1857308-7
6	225'	1857308-6
5	180'	1857308-5
4	135'	1857308-4
3	90'	1857308-3
2	45'	1857308-2
1	0'	1857308-1

THIS DRAWING IS A CONTROLLED DOCUMENT.

DIMENSIONS: mm	TOLERANCES UNLESS OTHERWISE SPECIFIED:	DIN J.V.D.HEUWEN 13 SEP 2005	APVD J.TUIN 13 SEP 2005	NAME J.BROEKSTEEG	PRODUCT SPEC	SIZE A1	CAGE CODE 00779	DRAWING NO C=1857308	RESTRICTED TO
0 PLC ± -	1 PLC ± -	2 PLC ± 0.13	3 PLC ± -	4 PLC ± -	ANGLES ± -	WEIGHT -	SCALE 4:1	SHEET 1 OF 1	REV A

MATERIAL 1 FINISH 2

CUSTOMER DRAWING

tyco Electronics Tyco Electronics, Nederland BV 's-Hertogenbosch, Netherlands

MODULE, FEMALE, UNIVERSAL POWER MODULE, M2,5