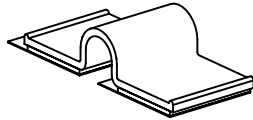
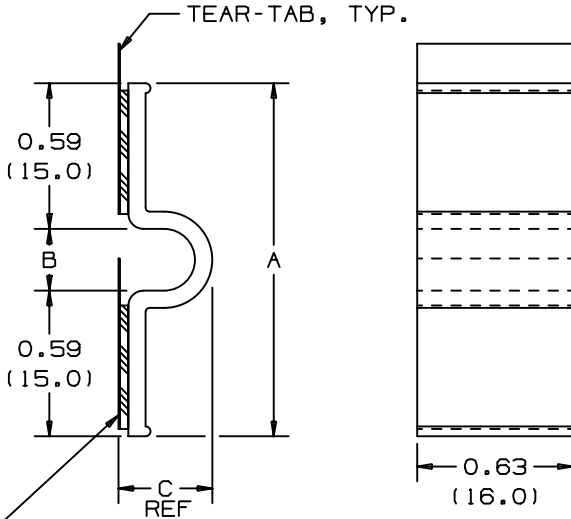


THIS COPY IS PROVIDED ON A RESTRICTED BASIS AND IS NOT TO BE USED IN ANY WAY DETRIMENTAL TO THE INTERESTS OF PANDUIT CORP.



A2C25-A
ACTUAL SIZE



ADHESIVE TAPE--PRESSURE SENSITIVE FOAM .040 (1.02) THICK WITH RUBBER ADHESIVE AND PROTECTIVE LINER, TWO PLACES.
**MOUNT IS DESIGNED TO SUPPORT LISTED MAXIMUM STATIC LOAD ON A CLEAN, DRY, SMOOTH, GREASE-FREE SURFACE.

PANDUIT PART NUMBER*	NOMINAL CABLE O.D. in./ (mm)	A in. (mm)	B in. (mm)	C in. (mm)	STATIC LOAD** lbs./ (g)	WEIGHT 100 pcs. lbs./ (g)
A2C12-A	0.120 (3.0)	1.30 (33.0)	0.12 (3.0)	0.23 (5.8)	0.37 (168.6g)	0.28 (127)
A2C25-A	0.250 (6.4)	1.43 (36.3)	0.25 (6.4)	0.36 (9.1)	0.37 (168.6g)	0.29 (132)
A2C38-A	0.375 (9.5)	1.56 (39.6)	0.38 (9.7)	0.49 (12.4)	0.37 (168.6g)	0.34 (154)
A2C50-A	0.500 (12.7)	1.72 (43.7)	0.50 (12.7)	0.61 (15.5)	0.37 (168.6g)	0.39 (177)

NO WARRANTY, EXPRESSED OR IMPLIED, IS MADE BY PANDUIT WITH RESPECT TO ADHESIVE BOND PERFORMANCE. AMONG OTHER THINGS, THE CONDITIONS UNDER WHICH THESE MOUNTS MAY BE APPLIED AND/OR THE SURFACE TO WHICH THEY MAY BE APPLIED ARE BEYOND PANDUIT'S CONTROL.

TO APPLY MOUNT

- 1) REMOVE PROTECTIVE LINER.
- 2) PLACE IN DESIRED LOCATION.
- 3) APPLY PRESSURE TO MOUNT.

NOTES:

- *1. SEE CURRENT PRICE SHEET FOR PART NUMBER SUFFIX DESIGNATION FOR PACKAGE SIZE.

(DIMENSIONS IN PARENTHESES ARE IN METRIC.)

CAD FILENAME/LAYERS

G00432BB_PB_A2CCLIPS_02

PANDUIT

CORP. TINLEY PARK, ILLINOIS

A2C-A
ADHESIVE CLIP

UNLESS OTHERWISE SPECIFIED,
DIMENSIONAL TOLERANCES ARE:
(.X) ±0.1(2.5) (.XXX) ±0.020(.5)
(.XX) ±0.05(1.3) ANGLES ±5°

UNLESS OTHERWISE SPECIFIED,
ALL DIMENSIONS ARE GIVEN
IN INCHES, THIRD ANGLE PROJECTION.

DRAWN BY

RJKO

MAT'L:

GRAY
PVC

SCALE

NONE

DATE

12-2-96

DRAWING NO.

GB0432BB

DWG

A
SIZE

REV	DATE	BY	CHK	DESCRIPTION	ECN	R	CUST	SUP
2	5/10/02	LGG		CHG STATIC LOAD. WAS .29(132)	GB0432BB	2		
1	6/15/01	LGG		ADDED "REF" TO DIM	GB0432BB	1		
R	12-2-96	RJKO		INITIAL RELEASE. REPLACED CUSTOMER DRAWING NO. 34025-10.	GB0432BB	R		